

SECTION **SC**

STARTING & CHARGING SYSTEM

A
B
C
D
E
F
G
H
I
J
K
L
M

CONTENTS

<p>PRECAUTIONS 2</p> <p>Precautions for Supplemental Restraint System (SRS) "AIR BAG" and "SEAT BELT PRE-TENSIONER" 2</p> <p>PREPARATION 3</p> <p>Special Service Tools 3</p> <p>Commercial Service Tools 3</p> <p>BATTERY 4</p> <p>How to Handle Battery 4</p> <p>METHODS OF PREVENTING OVER-DISCHARGE 4</p> <p>CHECKING ELECTROLYTE LEVEL 5</p> <p>SPECIFIC GRAVITY CHECK 5</p> <p>CHARGING THE BATTERY 6</p> <p>Trouble Diagnosis with Battery/Starting/Charging System Tester (Battery) 6</p> <p>DIAGNOSTIC RESULT ITEM CHART 8</p> <p>Removal and Installation 8</p> <p>REMOVAL 8</p> <p>INSTALLATION 8</p> <p>STARTING SYSTEM 9</p> <p>System Description 9</p> <p>Wiring Diagram — START — 10</p> <p>Trouble Diagnosis with Battery/Starting/Charging System Tester (Starting) 11</p> <p>DIAGNOSTIC RESULT ITEM CHART 11</p> <p>WORK FLOW 12</p> <p>DIAGNOSTIC PROCEDURE 1 13</p> <p>DIAGNOSTIC PROCEDURE 2 14</p> <p>MINIMUM SPECIFICATION OF CRANKING</p>	<p>VOLTAGE REFERENCING COOLANT TEMPERATURE 14</p> <p>Removal and Installation 15</p> <p>REMOVAL 15</p> <p>INSTALLATION 15</p> <p>Disassembly and Assembly 16</p> <p>INSPECTION AFTER DISASSEMBLY 16</p> <p>CHARGING SYSTEM 17</p> <p>System Description 17</p> <p>MALFUNCTION INDICATOR 17</p> <p>Wiring Diagram — CHARGE — 18</p> <p>Trouble Diagnosis with Battery/Starting/Charging System Tester (Charging) 19</p> <p>DIAGNOSTIC RESULT ITEM CHART 20</p> <p>WORK FLOW 21</p> <p>PRELIMINARY INSPECTION 22</p> <p>DIAGNOSTIC PROCEDURE 1 23</p> <p>DIAGNOSTIC PROCEDURE 2 23</p> <p>DIAGNOSTIC PROCEDURE 3 24</p> <p>DIAGNOSTIC PROCEDURE 4 25</p> <p>Removal and Installation 26</p> <p>REMOVAL 26</p> <p>ALTERNATOR PULLEY INSPECTION 27</p> <p>INSTALLATION 27</p> <p>Disassembly and Assembly 28</p> <p>SERVICE DATA AND SPECIFICATIONS (SDS) 29</p> <p>Battery 29</p> <p>Starter 29</p> <p>Alternator 29</p>
--	---

SC

PRECAUTIONS

PRECAUTIONS

PFP:00001

Precautions for Supplemental Restraint System (SRS) “AIR BAG” and “SEAT BELT PRE-TENSIONER”

NKS001M8

The Supplemental Restraint System such as “AIR BAG” and “SEAT BELT PRE-TENSIONER”, used along with a front seat belt, helps to reduce the risk or severity of injury to the driver and front passenger for certain types of collision. This system includes seat belt switch inputs and dual stage front air bag modules. The SRS system uses the seat belt switches to determine the front air bag deployment, and may only deploy one front air bag, depending on the severity of a collision and whether the front occupants are belted or unbelted. Information necessary to service the system safely is included in the SRS and SB section of this Service Manual.

WARNING:

- To avoid rendering the SRS inoperative, which could increase the risk of personal injury or death in the event of a collision which would result in air bag inflation, all maintenance must be performed by an authorized NISSAN/INFINITI dealer.
- Improper maintenance, including incorrect removal and installation of the SRS, can lead to personal injury caused by unintentional activation of the system. For removal of Spiral Cable and Air Bag Module, see the SRS section.
- Do not use electrical test equipment on any circuit related to the SRS unless instructed to in this Service Manual. SRS wiring harnesses can be identified by yellow and/or orange harnesses or harness connectors.

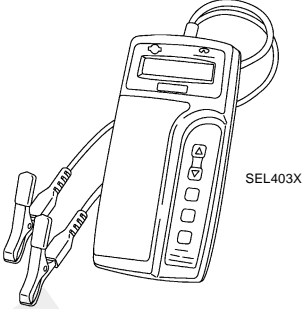
PREPARATION

PREPARATION

PFP:00002

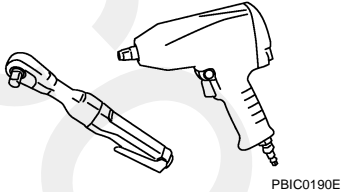
Special Service Tools

NKS001MA

Tool number (Kent-Moore No.) Tool name	Description
<p>— (J-44373 Model 620) Battery/Starting/Charging system tester</p> 	

Commercial Service Tools

NKS001MB

Tool name	Description
<p>Power tool</p> 	<p>Loosening bolts and nuts</p>

A
B
C
D
E
F
G
H
I
J
SC
L
M

SC

BATTERY

BATTERY

PFP:AYBGL

How to Handle Battery

NKS001MC

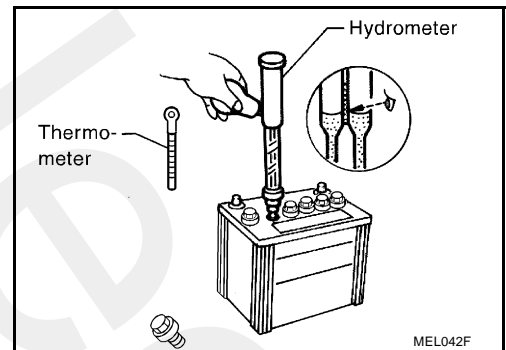
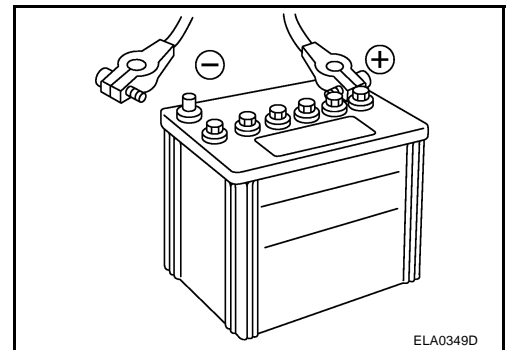
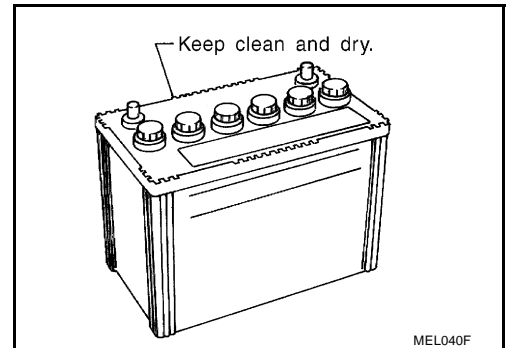
CAUTION:

- If it becomes necessary to start the engine with a booster battery and jumper cables, use a 12-volt booster battery.
- After connecting battery cables, ensure that they are tightly clamped to battery terminals for good contact.

METHODS OF PREVENTING OVER-DISCHARGE

The following precautions must be taken to prevent over-discharging a battery.

- The battery surface (particularly its top) should always be kept clean and dry.
- The terminal connections should be clean and tight.
- At every routine maintenance, check the electrolyte level. This also applies to batteries designated as "low maintenance" and "maintenance-free".
- When the vehicle is not going to be used over a long period of time, disconnect the battery cable from the negative terminal.
- Check the charge condition of the battery. Periodically check the specific gravity of the electrolyte. Keep a close check on charge condition to prevent over-discharge.



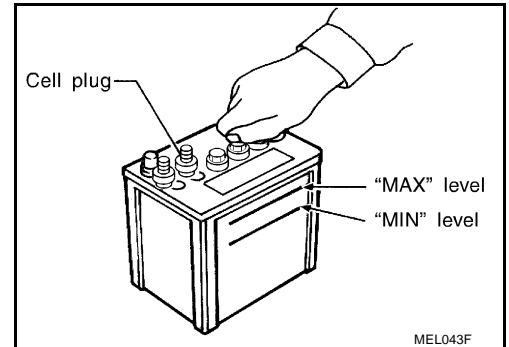
BATTERY

CHECKING ELECTROLYTE LEVEL

WARNING:

Never allow battery fluid to come in contact with skin, eyes, fabrics, or painted surfaces. After touching a battery, never touch or rub your eyes until you have thoroughly washed your hands. If acid contacts eyes, skin or clothing, immediately flush with water for 15 minutes and seek medical attention.

- Remove the cell plug using a suitable tool.
- Add distilled water up to the MAX level.

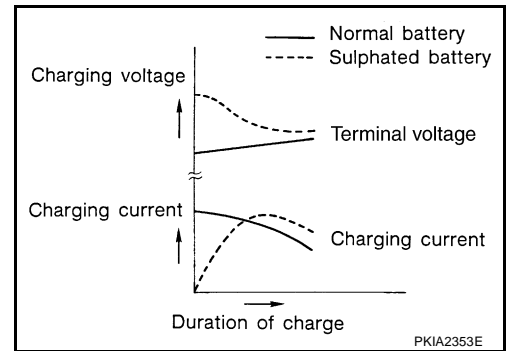


Sulphation

A battery will be completely discharged if it is left unattended for a long time and the specific gravity will become less than 1.100. This may result in sulphation on the cell plates.

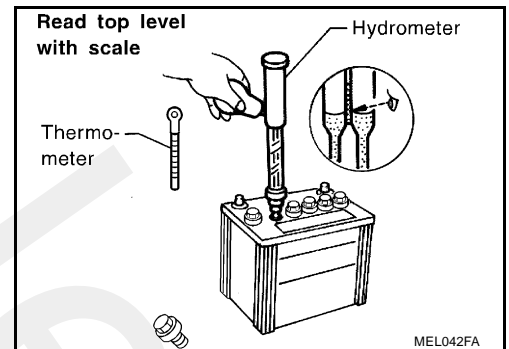
To determine if a battery has been "sulphated", note its voltage and current when charging it. As shown in the figure, less current and higher voltage are observed in the initial stage of charging sulphated batteries.

A sulphated battery may sometimes be brought back into service by means of a long, slow charge, 12 hours or more, followed by a battery capacity test.



SPECIFIC GRAVITY CHECK

1. Read hydrometer and thermometer indications at eye level.
2. Use the chart below to correct your hydrometer reading according to electrolyte temperature.



Hydrometer Temperature Correction

Battery electrolyte temperature °C (°F)	Add to specific gravity reading
71 (160)	0.032
66 (150)	0.028
60 (140)	0.024
54 (130)	0.020
49 (120)	0.016
43 (110)	0.012
38 (100)	0.008
32 (90)	0.004
27 (80)	0
21 (70)	-0.004

BATTERY

Battery electrolyte temperature °C (°F)	Add to specific gravity reading
16 (60)	-0.008
10 (50)	-0.012
4 (40)	-0.016
-1 (30)	-0.020
-7 (20)	-0.024
-12 (10)	-0.028
-18 (0)	-0.032

Corrected specific gravity	Approximate charge condition
1.260 - 1.280	Fully charged
1.230 - 1.250	3/4 charged
1.200 - 1.220	1/2 charged
1.170 - 1.190	1/4 charged
1.140 - 1.160	Almost discharged
1.110 - 1.130	Completely discharged

CHARGING THE BATTERY

CAUTION:

- Never “quick charge” a fully discharged battery.
- Keep the battery away from open flame while it is being charged.
- When connecting the charger, connect the leads first, then turn on the charger. Never turn on the charger first, as this may cause a spark.
- If battery electrolyte temperature rises above 55 °C (131 °F), stop charging. Always charge battery at a temperature below 55 °C (131 °F).

Charging Rates

Amps	Time
50	1 hour
25	2 hours
10	5 hours
5	10 hours

Never charge at more than 50 ampere rate.

NOTE:

The ammeter reading on your battery charger will automatically decrease as the battery charges. This indicates that the voltage of the battery is increasing normally as the state of charge improves. The charging amps indicated above refer to initial charge rate.

- If, after charging, the specific gravity of any two cells varies more than 0.050, the battery should be replaced.

Trouble Diagnosis with Battery/Starting/Charging System Tester (Battery)

NKS001MD

CAUTION:

When working with batteries, always wear appropriate eye protection.

NOTE:

- To ensure a complete and thorough diagnosis, the battery, starter and alternator test segments must be done as a set from start to finish.
- If battery surface charge is detected while testing, the tester will prompt you to turn on the headlamps to remove the surface charge.
- If necessary, the tester will prompt you to determine if the battery temperature is above or below 0 °C (32 °F). Choose the appropriate selection by pressing the up or down arrow button, then press “ENTER” to make the selection.

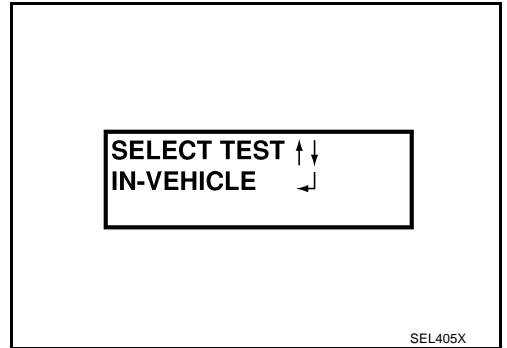
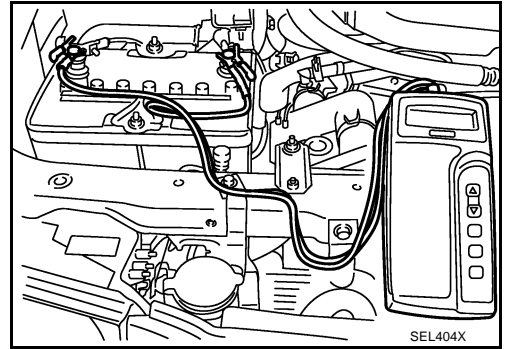
BATTERY

1. Turn off all loads on the vehicle electrical system. Clean or repair as necessary.
2. Visually inspect the battery, battery terminals and cable ends with ignition switch in "OFF" position.

NOTE:

The contact surface between the battery terminals, cable ends and tester leads must be clean for a valid test. A poor connection will prevent testing and a "CHECK CONNECTION" message will appear during the test procedures. If this occurs, clean the battery terminals, reconnect them and restart the test.

3. Connect the red tester lead clamp to the positive battery terminal, and the black to the negative terminal.
4. The tester will turn on automatically. Using the arrow keys, select "IN-VEHICLE" on the tester and then press the "ENTER" key.



5. Locate the battery **type** and **rating** stamped or written on the top case of the battery to be tested.

NOTE:

The battery **rating** will have either of the following.

- **CCA:** Cold Cranking Amps (490 CCA, 550 CCA, etc.)
- **JIS:** Japanese Industrial Standard.

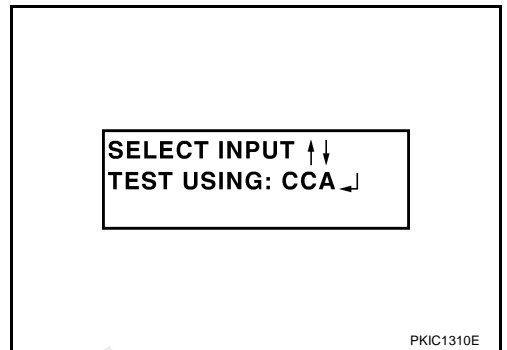
When using the battery tester: Use the CCA rating only.

- The tester requires the CCA rating for the battery be entered exactly as it is written or stamped on the battery.
 - **U.S. market:** Refer to the latest "Battery Testing" Technical Service Bulletin (TSB) for a chart which contains these ratings listed by vehicle.
 - **You must not use the JIS rating.**
6. Using the arrow and "ENTER" keys alternately, select the battery type and rating.

NOTE:

The tester lists five choices; CCA, JIS, IEC, DIN, and EN. **Use only the CCA choice .**

7. Press "ENTER" to begin the test. Diagnosis results are displayed on the tester. Refer to [SC-8, "DIAGNOSTIC RESULT ITEM CHART"](#) .



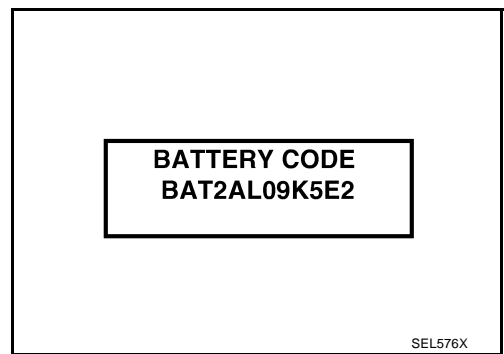
A
B
C
D
E
F
G
H
I
J
SC
L
M

BATTERY

8. Press "ENTER", then test output code is displayed. Record the test output code on the repair order.
9. Toggle back to the "DIAGNOSTIC SCREEN" for test results.

NOTE:

- If necessary, the tester will ask the user to determine if the battery has just been charged. Choose the appropriate selection by pressing the up or down arrow button and then press the "ENTER" button to make the selection.
- When testing a battery installed in a vehicle that has recently been driven, select "BEFORE CHARGE".
- If the battery has just been slow charged due to a "CHARGE & RETEST" decision by the tester, and the tester asks the user "BEFORE CHARGE/AFTER CHARGE", select "AFTER CHARGE".



DIAGNOSTIC RESULT ITEM CHART

Diagnostic item	Service procedure
GOOD BATTERY	Battery is OK, go to "Trouble Diagnosis", "STARTING SYSTEM". Refer to SC-11, "Trouble Diagnosis with Battery/Starting/Charging System Tester (Starting)" .
REPLACE BATTERY	Replace battery. Before replacing battery, clean the battery cable clamps and battery posts. Perform battery test again with Battery/Starting/Charging system tester. If second test result is "Replace Battery", then do so. Perform battery test again to confirm repair.
BAD CELL-REPLACE	Replace the battery. Perform battery test again with Battery/Starting/Charging system tester to confirm repair.
GOOD-RECHARGE	Perform the slow battery charging procedure. (Initial rate of charge is 10A for 12 hours.)
CHARGE & RETEST	Perform the slow battery charging. (Initial rate of charge is 10A for 12 hours.) Perform battery test again with Battery/Starting/Charging system tester to confirm repair. NOTE: If the tester asks the user "BEFORE CHARGE/AFTER CHARGE", select "AFTER CHARGE".

Removal and Installation

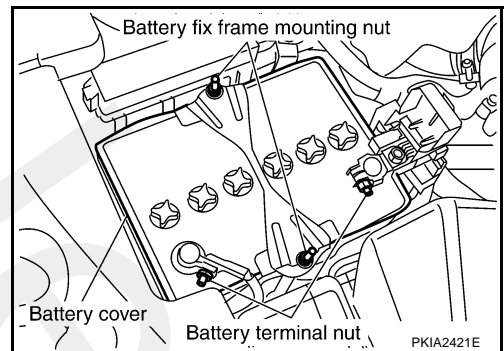
REMOVAL

1. Disconnect both battery cables from terminals.

CAUTION:

When disconnecting, disconnect the battery cable from the negative terminal first.

2. Remove battery fix frame mounting nuts and battery fix frame.
3. Remove battery cover.
4. Remove battery.



INSTALLATION

Installation is the reverse order of removal.

CAUTION:

When connecting, connect the battery cable to the positive terminal first.

Battery fix frame mounting nut

: 3.9 N·m (0.4 kg·m, 35 in·lb)

Battery terminal nut

: 5.4 N·m (0.55 kg·m, 48 in·lb)

STARTING SYSTEM

STARTING SYSTEM

PFP:23300

System Description

NKS001MF

Power is supplied at all times

- through 40A fusible link (letter M, located in the fuse and fusible link block)
- to ignition switch terminal 1,
- through 15A fuse (No. 78, located in the IPDM E/R)
- to CPU of IPDM E/R,
- through 10A fuse (No. 71, located in the IPDM E/R)
- to CPU of IPDM E/R.

With the ignition switch in the ON or START position, power is supplied

- through ignition relay (within the IPDM E/R)
- to CPU of IPDM E/R.

When the selector lever in the P or N position, power is supplied

- from TCM terminal 24
- to IPDM E/R terminal 53.

Ground is supplied

- to IPDM E/R terminals 38, 50 and 60
- from grounds E13, E26 and E28.

Then starter relay is turn ON.

With the ignition switch in the START position, IPDM E/R is energized and power is supplied

- from ignition switch terminal 5
- to IPDM E/R terminal 4 and
- through IPDM E/R terminal 3
- to starter motor terminal 1.

The starter motor plunger closes and provides a closed circuit between the battery and starter motor. The starter motor is grounded to the engine block. With power and ground supplied, cranking occurs and the engine starts.

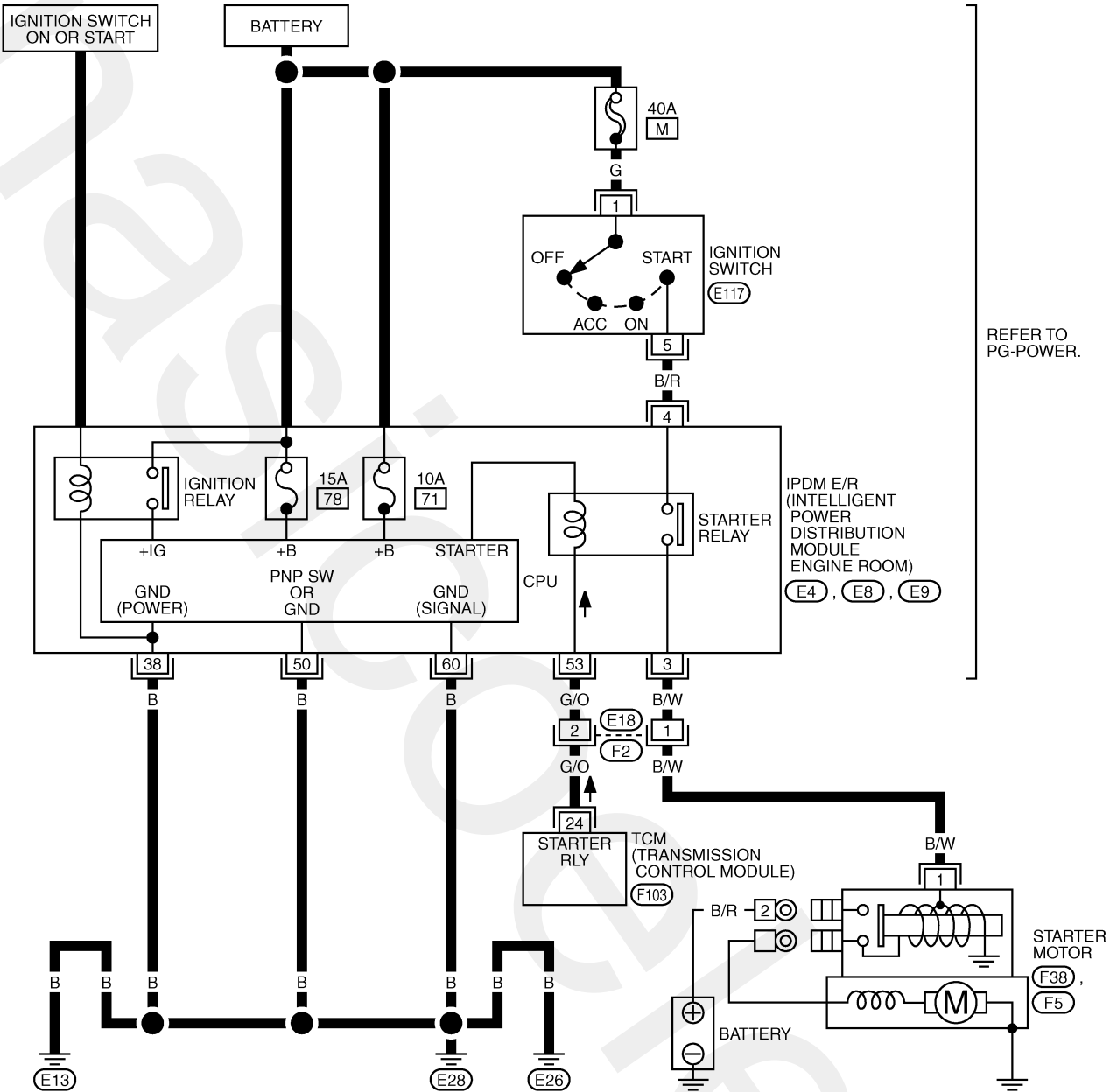
A
B
C
D
E
F
G
H
I
J
SC
L
M

STARTING SYSTEM

Wiring Diagram — START —

NKS001MG

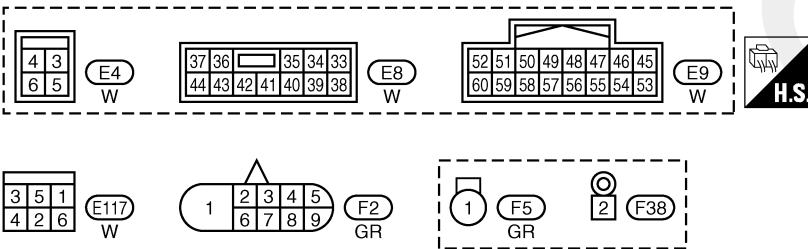
SC-START-01



REFER TO PG-POWER.

IPDM E/R
(INTELLIGENT
POWER
DISTRIBUTION
MODULE
ENGINE ROOM)
(E4, E8, E9)

STARTER MOTOR
(F38, F5)



REFER TO THE FOLLOWING.
(F103) -ELECTRICAL UNITS



TKWB2549E

STARTING SYSTEM

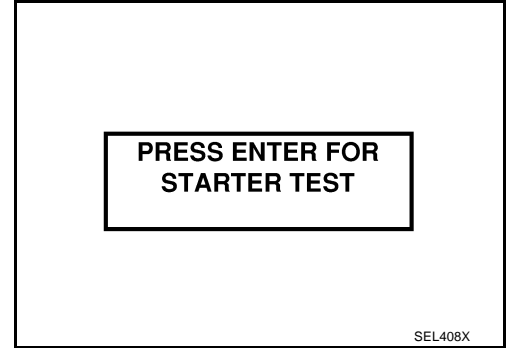
Trouble Diagnosis with Battery/Starting/Charging System Tester (Starting)

NKS001MH

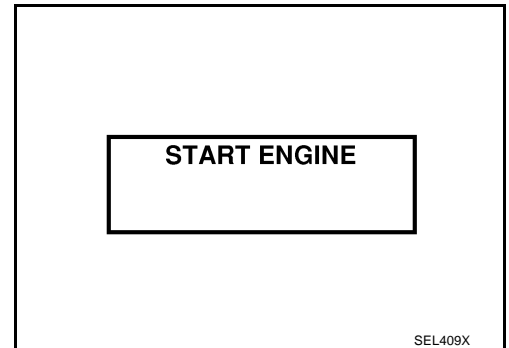
NOTE:

To ensure a complete and thorough diagnosis, the battery, starter and alternator test segments must be done as a set from start to finish.

1. Turn off all loads on the vehicle electrical system.
2. Perform battery test with Battery/Starting/Charging system tester. Refer to [SC-6, "Trouble Diagnosis with Battery/Starting/Charging System Tester \(Battery\)"](#).
3. Press "ENTER" to begin the starting system test.



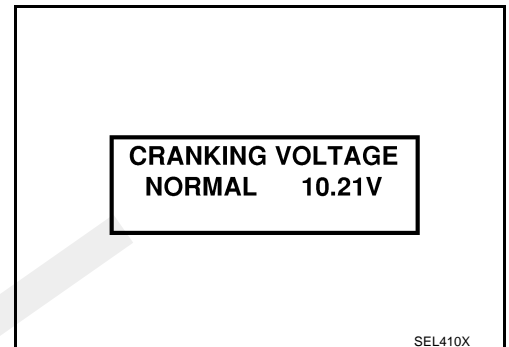
4. Start the engine.



5. Diagnostic result is displayed on the tester. Refer to [SC-11, "DIAGNOSTIC RESULT ITEM CHART"](#).

NOTE:

- If the starter performs normally but the engine does not start, perform engine diagnosis.
- For intermittent "NO CRANK" or "NO STARTER OPERATION" incidents, refer to [SC-14, "DIAGNOSTIC PROCEDURE 2"](#).

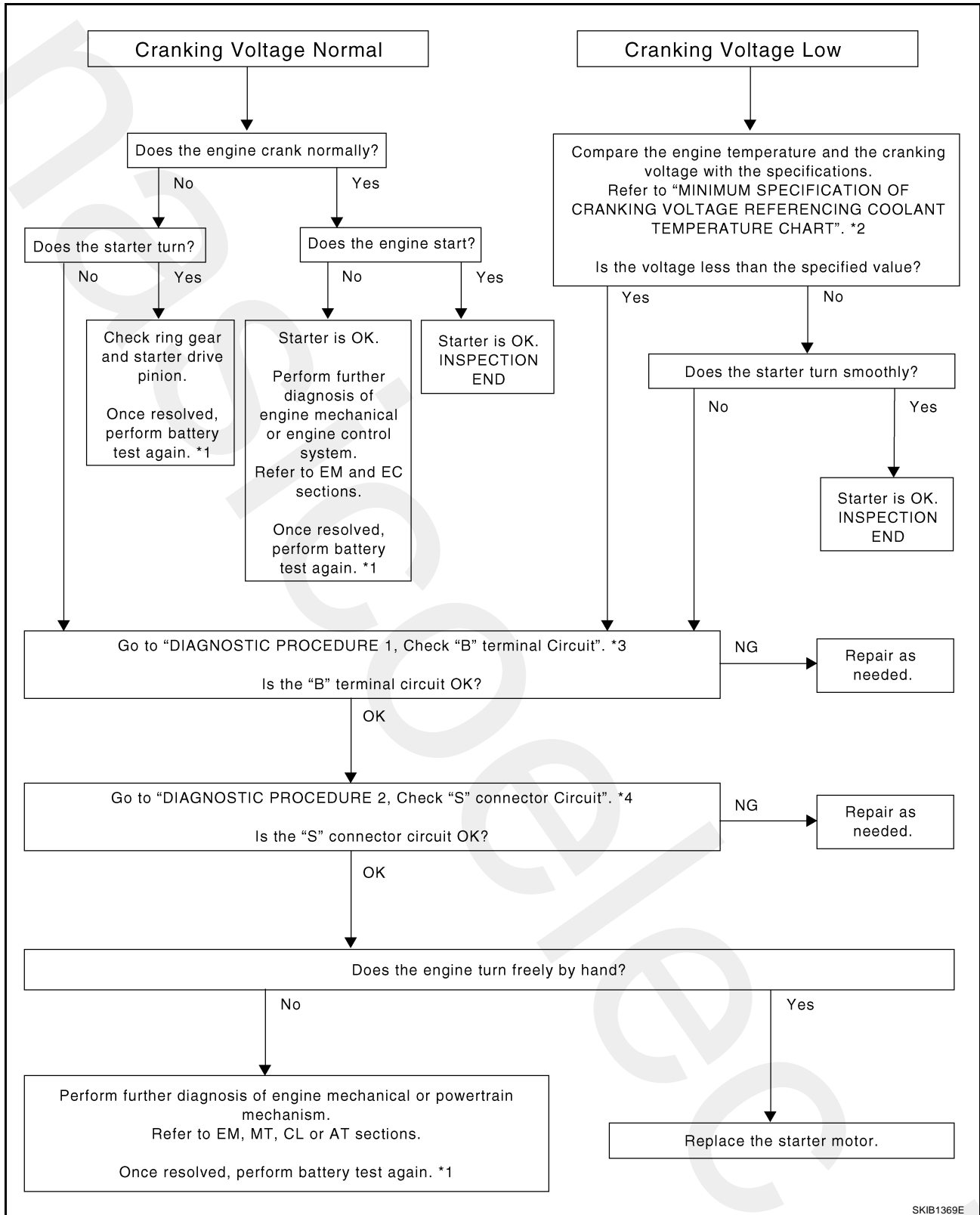


DIAGNOSTIC RESULT ITEM CHART

Diagnostic item	Service procedure
CRANKING VOLTAGE NORMAL	Go to SC-12, "WORK FLOW" .
CRANKING VOLTAGE LOW	
CHARGE BATTERY	Perform the slow battery charging procedure. (Initial rate of charge is 10A for 12 hours.) Perform battery test again with Battery/Starting/Charging system tester. Refer to SC-6, "Trouble Diagnosis with Battery/Starting/Charging System Tester (Battery)" .
REPLACE BATTERY	Before replacing battery, clean the battery cable clamps and battery posts. Perform battery test again with Battery/Starting/Charging system tester. Refer to SC-6, "Trouble Diagnosis with Battery/Starting/Charging System Tester (Battery)" . If second test result is "REPLACE BATTERY", then do so. Perform battery test again to confirm repair.

STARTING SYSTEM

WORK FLOW



SKIB1369E

*1 [SC-6, "Trouble Diagnosis with Battery/Starting/Charging System Tester \(Battery\)"](#)

*2 [SC-14, "MINIMUM SPECIFICATION OF CRANKING VOLTAGE REFERENCING COOLANT TEMPERATURE"](#)

*3 [SC-13, "Check "B" Terminal Circuit"](#)

*4 [SC-14, "Check "S" Connector Circuit"](#)

STARTING SYSTEM

DIAGNOSTIC PROCEDURE 1

Check "B" Terminal Circuit

1. CHECK POWER SUPPLY FOR STARTER MOTOR "B" TERMINAL

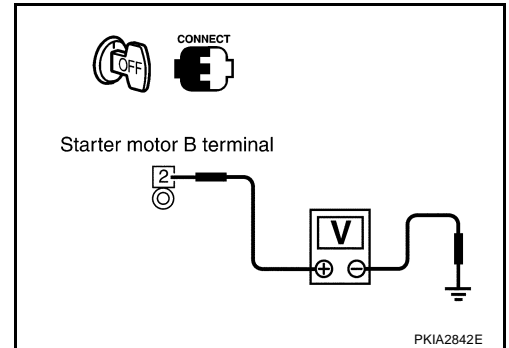
1. Remove fuel pump fuse.
2. Crank or start the engine (where possible) until the fuel pressure is released.
3. Turn ignition switch OFF.
4. Make sure the starter motor "B" terminal F38 terminal 2 connection is clean and tight.
5. Check voltage between starter motor "B" terminal F38 terminal 2 and ground using a digital circuit tester.

2 – Ground : Battery voltage

OK or NG

OK >> GO TO 2.

NG >> Check harness between battery and starter motor for open circuit.



2. CHECK BATTERY CABLE CONNECTION (VOLTAGE DROP TEST)

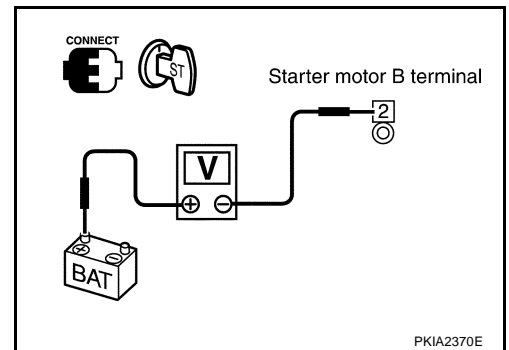
Check voltage between starter motor "B" terminal F38 terminal 2 and battery positive terminal.

2 – Battery positive terminal
When the ignition switch is in START position : Less than 0.5 V

OK or NG

OK >> GO TO 3.

NG >> Check harness between battery and starter motor for poor continuity.



3. CHECK STARTER MOTOR GROUND CIRCUIT (VOLTAGE DROP TEST)

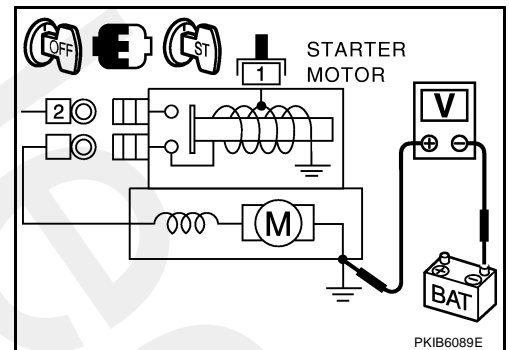
1. Turn ignition switch OFF.
2. Check voltage between starter motor case and battery negative terminal.

Starter motor case – Battery negative terminal
When the ignition switch is in START position : Less than 0.2 V

OK or NG

OK >> "B" terminal circuit is OK. Further inspection necessary. Refer to [SC-12, "WORK FLOW"](#).

NG >> Check starter motor case and ground for poor continuity.



STARTING SYSTEM

DIAGNOSTIC PROCEDURE 2

Check "S" Connector Circuit

1. CHECK POWER SUPPLY FOR STARTER MOTOR "S" TERMINAL

1. Remove fuel pump fuse.
2. Crank or start the engine (where possible) until the fuel pressure is released.
3. Turn the ignition switch OFF.
4. Disconnect starter motor connector.
5. Check voltage between starter motor harness connector F5 terminal 1 and ground.

1 – Ground

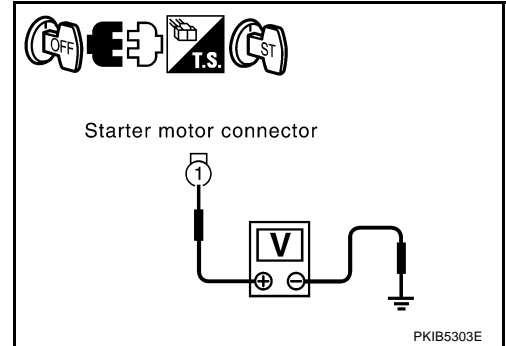
When the ignition switch is : Battery voltage
in START position

OK or NG

OK >> "S" connector circuit is OK. Further inspection necessary. Refer to [SC-12, "WORK FLOW"](#).

NG >> Check the following.

- 40A fusible link (letter M, located in the fuse and fusible link block)
- Ignition switch
- Starter relay (within the IPDM)
- Harness for open or short



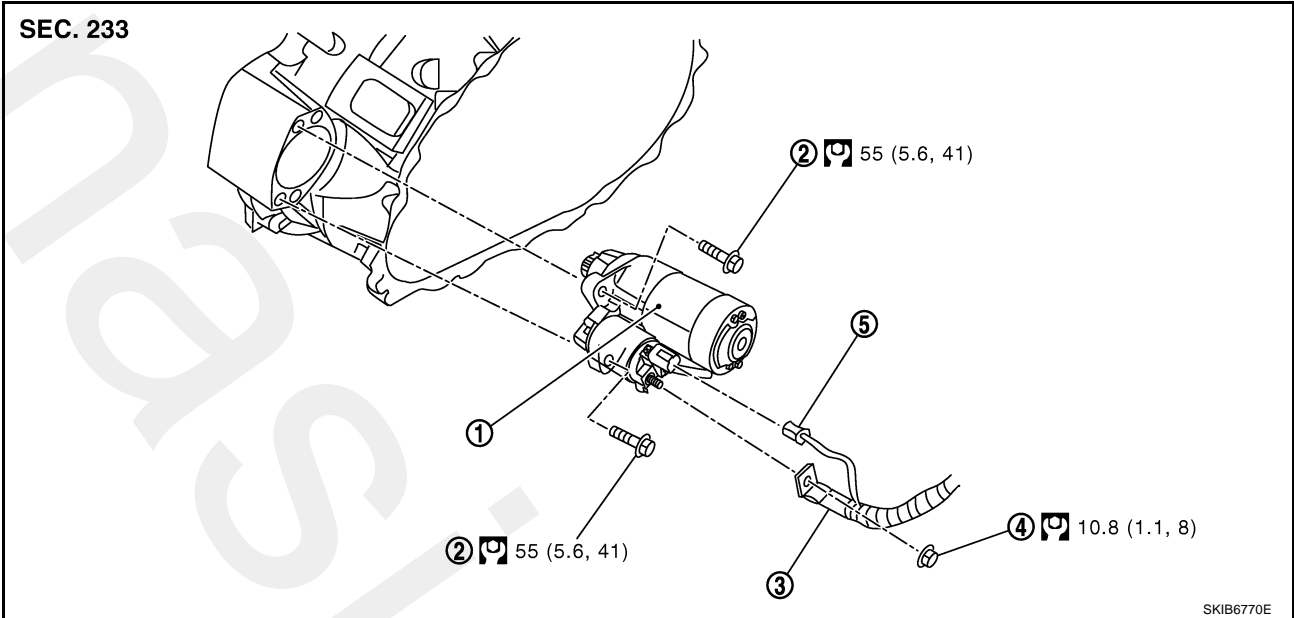
MINIMUM SPECIFICATION OF CRANKING VOLTAGE REFERENCING COOLANT TEMPERATURE

Engine coolant temperature	Voltage [V]
-30 °C to -20 °C (-22 °F to -4 °F)	8.4
-19 °C to -10 °C (-2 °F to 14 °F)	8.9
-9 °C to 0 °C (16 °F to 32 °F)	9.3
More than 1 °C (More than 34 °F)	9.7

STARTING SYSTEM

Removal and Installation

NKS001MI

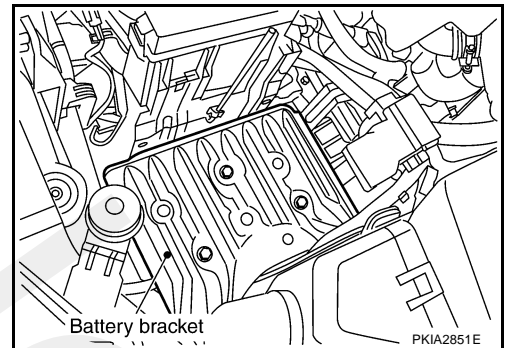


1. Starter motor
2. Starter motor mounting bolt
3. B terminal harness
4. B terminal nut
5. S connector

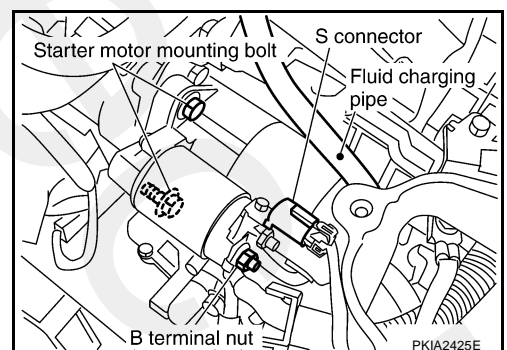
: N-m (kg-m, ft-lb)

REMOVAL

1. Remove battery. Refer to [SC-8, "Removal and Installation"](#) .
2. Remove air duct (inlet). Refer to [EM-16, "AIR CLEANER AND AIR DUCT"](#) .
3. Remove battery bracket, using power tools.



4. Remove fluid charging pipe. Refer to [CVT-215, "Removal and Installation"](#) .
5. Disconnect "S" connector.
6. Remove "B" terminal nut.
7. Remove starter motor mounting bolts, using power tools.
8. Remove starter motor upward.



INSTALLATION

Installation is the reverse order of removal.

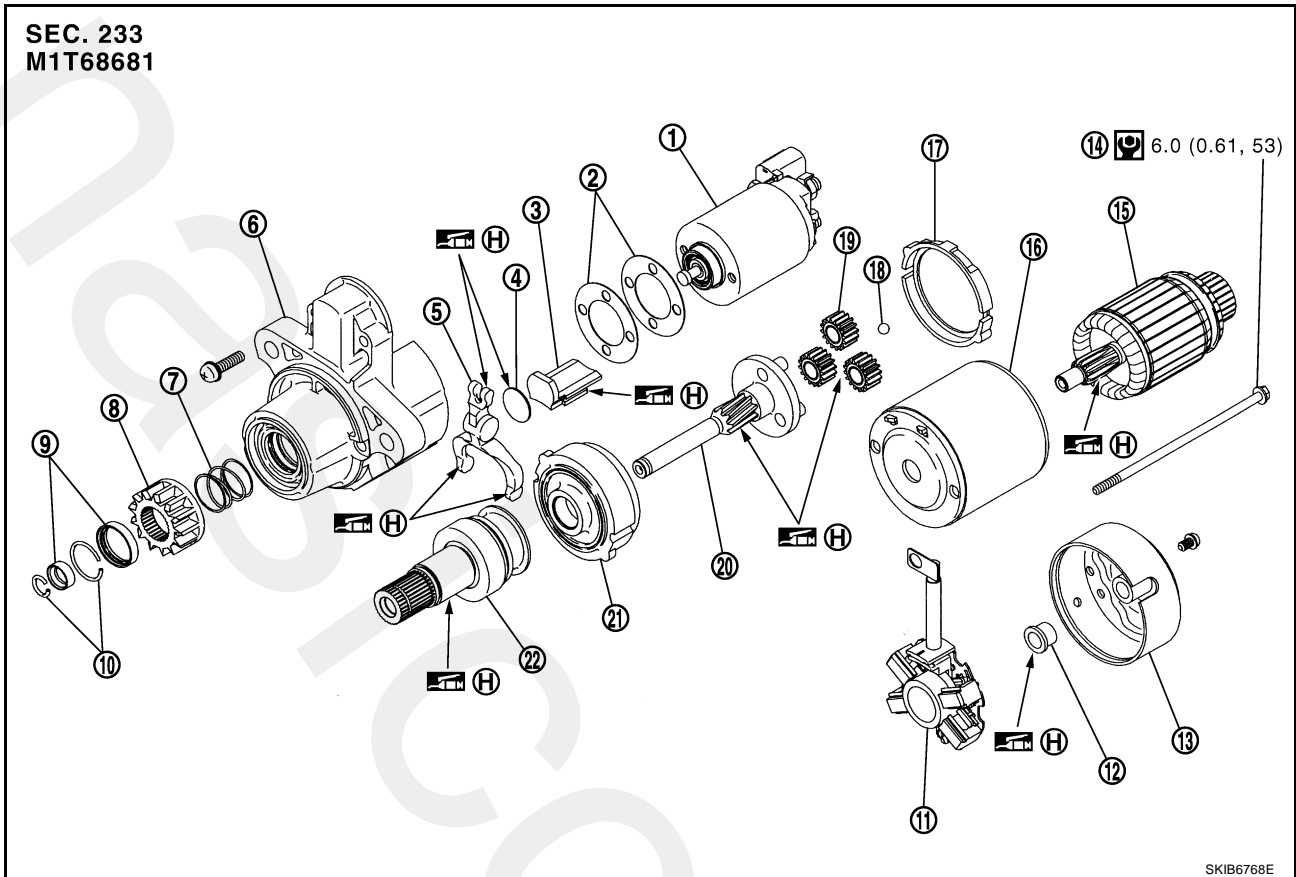
CAUTION:

Be sure to tighten "B" terminal nut carefully.

STARTING SYSTEM

Disassembly and Assembly

NKS001MJ



- | | | |
|-----------------------------|---------------------------|----------------------------|
| 1. Magnetic switch assembly | 2. Plate | 3. Packing |
| 4. Plate | 5. Shift lever | 6. Front bracket assembly |
| 7. Pinion spring | 8. Pinion assembly | 9. Pinion stopper |
| 10. Stopper ring | 11. Brush holder assembly | 12. Metal |
| 13. Rear cover | 14. Through-bolt | 15. Armature assembly |
| 16. Yoke assembly | 17. Packing | 18. Ball |
| 19. Gear assembly | 20. Gear shaft | 21. Internal gear assembly |
| 22. Clutch gear assembly | | |

: N·m (kg-m, in-lb)

(H): High-temperature grease point

INSPECTION AFTER DISASSEMBLY

Pinion/Clutch Check

1. Inspect pinion teeth.
 - Replace pinion if teeth are worn or damaged. (Also check condition of ring gear teeth.)
2. Inspect reduction gear teeth.
 - Replace reduction gear if teeth are worn or damaged. (Also check condition of armature shaft gear teeth.)
3. Check to see if pinion locks in one direction and rotates smoothly in the opposite direction.
 - If it locks or rotates in both directions, or unusual resistance is evident, replace.

CHARGING SYSTEM

PFP:23100

System Description

NKS001MK

The alternator provides DC voltage to operate the vehicle's electrical system and to keep the battery charged. The voltage output is controlled by the IC regulator.

Power is supplied at all times

- through 10A fuse (No. 33, located in the fuse and fusible link block)
- to alternator terminal 4 ("S" terminal).

"B" terminal supplies power to charge the battery and operate the vehicle's electrical system. Output voltage is controlled by the IC regulator at terminal 4 ("S" terminal) detecting the input voltage.

The alternator is grounded to the engine block.

With the ignition switch in the ON or START position, power is supplied

- through 10A fuse [No. 14, located in the fuse block (J/B)]
- to combination meter terminal 20 for the charge warning lamp.

Ground is supplied

- to combination meter terminal 4
- through alternator terminal 3 ("L" terminal)
- to alternator terminal 2 ("E" terminal)
- through ground E29.

With power and ground supplied, the charge warning lamp will illuminate. When the alternator is providing sufficient voltage with the engine running, the ground is opened and the charge warning lamp will go off.

If the charge warning lamp illuminates with the engine running, a malfunction is indicated.

MALFUNCTION INDICATOR

The IC regulator warning function activates to illuminate charge warning lamp, if any of the following symptoms occur while alternator is operating:

- Excessive voltage is produced.
- No voltage is produced.

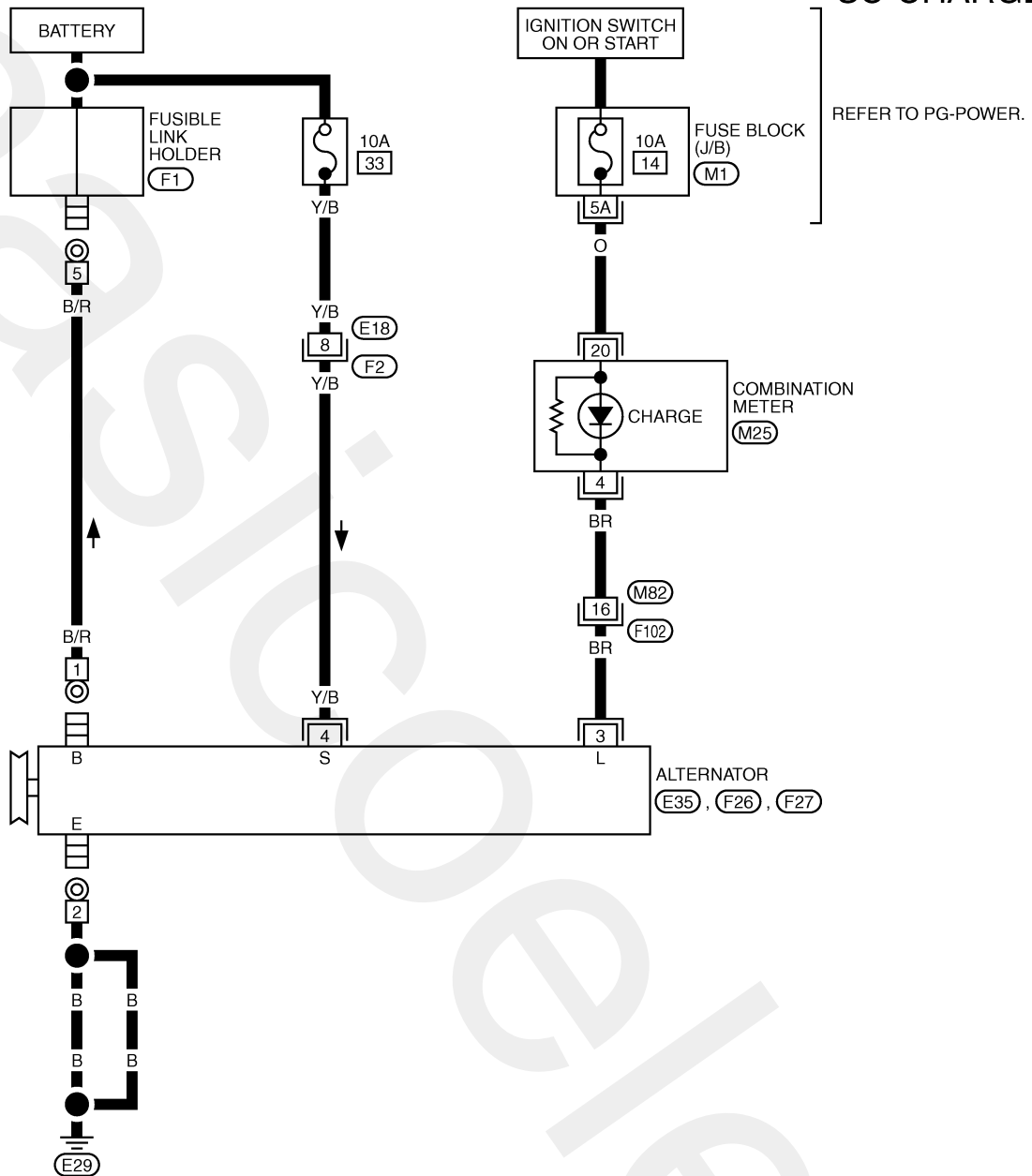
A
B
C
D
E
F
G
H
I
J
SC
L
M

CHARGING SYSTEM

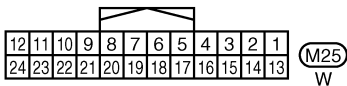
Wiring Diagram — CHARGE —

NKS001ML

SC-CHARGE-01

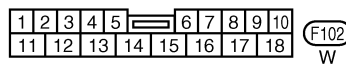
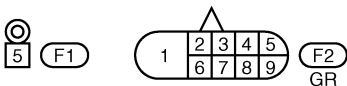


REFER TO PG-POWER.



REFER TO THE FOLLOWING.

(M1) - FUSE BLOCK-JUNCTION BOX (J/B)



TKWA0735E

CHARGING SYSTEM

Trouble Diagnosis with Battery/Starting/Charging System Tester (Charging)

NKS001MM

NOTE:

To ensure a complete and thorough diagnosis, the battery, starter and alternator test segments must be done as a set from start to finish.

Before starting, perform the preliminary inspection. Refer to [SC-22. "PRELIMINARY INSPECTION"](#).

1. Turn off all loads on the vehicle electrical system.
2. Perform battery and starting system test with Battery/Starting/Charging system tester.
3. Press "ENTER" to begin the charging system test.
4. Start engine.

PRESS ENTER FOR
CHARGING TEST

SEL417X

5. Press "ENTER" until "LOADS OFF REV ENGINE 5 SEC" is displayed.
6. Raise and hold the engine speed at 1,500 to 2,000 rpm for about 5 seconds, then return the engine to idle. Once the increase in engine rpm is detected, press "ENTER" to continue.

NOTE:

- If after 30 seconds an increase in engine idle speed is not detected, "RPM NOT DETECTED" will display.
- Some engines may have a higher idle initially after starting, particularly when the engine is cold. The tester may detect this without any other action being taken. If this occurs, continue on with the testing process. The final results will not be affected.

LOADS OFF
REV ENGINE 5 SEC

SEL418X

7. The tester now checks the engine at idle and performs the DIODE/RIPPLE check.
8. When complete, the tester will prompt you to turn on the following electrical loads.
 - Heater fan set to highest speed. Do not run the A/C or windshield defroster.
 - Headlamp high beam
 - Rear window defogger

NOTE:

Do not run the windshield wipers or any other cyclical loads.

*** TESTING ***
ENGINE AT IDLE

*** TESTING ***
DIODE/RIPPLE

SEL419X

9. Press "ENTER" to continue.

TURN LOADS ON
ENTER TO CONT...

SEL420X

A
B
C
D
E
F
G
H
I
J
SC
L
M

CHARGING SYSTEM

10. Raise and hold the engine speed at 1,500 to 2,000 rpm for about 5 seconds, then return the engine to idle. Once the increase in engine rpm is detected, press "ENTER" to continue.

NOTE:

If after 30 seconds an increase in engine idle speed is not detected, "RPM NOT DETECTED" will be displayed. Press "ENTER" to restart the test.

LOADS ON
REV ENGINE 5 SEC

SEL421X

11. Diagnostic result is displayed on the tester. Refer to [SC-20, "DIAGNOSTIC RESULT ITEM CHART"](#).

CHARGING SYSTEM
NORMAL

SEL422X

12. Press "ENTER" then test output code is displayed. Record the test output code on the repair order.
13. Toggle back to the "DIAGNOSTIC SCREEN" for test results.

CHARGING CODE
ALTSTD7HJ934

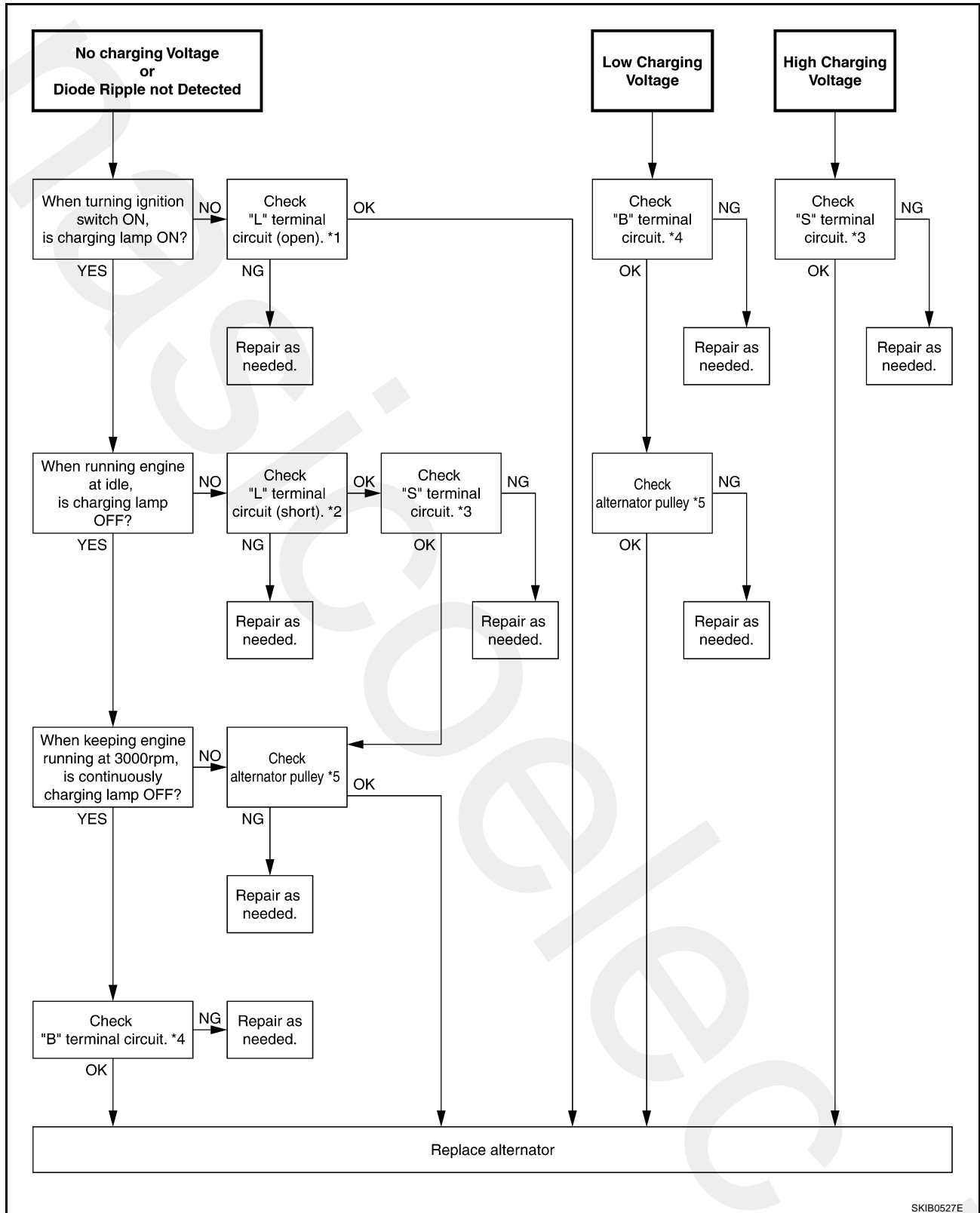
SEL577X

DIAGNOSTIC RESULT ITEM CHART

Diagnostic item	Service procedure
CHARGING SYSTEM NORMAL	Charging system is normal and will also show "DIODE RIPPLE" test result.
NO CHARGING VOLTAGE	Go to SC-21, "WORK FLOW" .
LOW CHARGING VOLTAGE	
HIGH CHARGING VOLTAGE	
DIODE RIPPLE NORMAL	Diode ripple is OK and will also show "CHARGING VOLTAGE" test result.
EXCESS RIPPLE DETECTED	Replace the alternator. Perform "DIODE RIPPLE" test again using Battery/Starting/Charging system tester to confirm repair.
DIODE RIPPLE NOT DETECTED	Go to SC-21, "WORK FLOW" .

CHARGING SYSTEM

WORK FLOW



A
B
C
D
E
F
G
H
I
J
SC
L
M

SC

SKIB0527E

- *1 [SC-23, "Check "L" Terminal Circuit \(Open\)"](#)
- *2 [SC-23, "Check "L" Terminal Circuit \(Short\)"](#)
- *3 [SC-24, "Check "S" Terminal Circuit"](#)
- *4 [SC-25, "Check "B" Terminal Circuit"](#)
- *5 [SC-27, "ALTERNATOR PULLEY INSPECTION"](#)

CHARGING SYSTEM

PRELIMINARY INSPECTION

1. CHECK BATTERY TERMINALS CONNECTION

Check if battery terminals are clean and tight.

OK or NG

OK >> GO TO 2.

NG >> Repair battery terminals connection.

2. CHECK FUSE AND FUSIBLE LINK

Check for blown alternator and combination meter fuses.

Unit	Power source (Power supply terminals)	Fuse No.
Alternator	Battery ("S" terminal)	33
Combination meter	Ignition switch ON ("L" terminal)	14

OK or NG

OK >> GO TO 3.

NG >> Be sure eliminate cause of malfunction before installing new fuse. Refer to [PG-3, "POWER SUPPLY ROUTING CIRCUIT"](#).

3. CHECK "E" TERMINAL CONNECTION

Check if "E" terminal is clean and tight.

OK or NG

OK >> GO TO 4.

NG >> Repair "E" terminal connection.

4. CHECK ALTERNATOR DRIVE BELT TENSION

Check alternator and A/C compressor belt tension. Refer to [EM-13, "Checking Drive Belts"](#).

OK or NG

OK >> INSPECTION END

NG >> Repair as needed.

CHARGING SYSTEM

DIAGNOSTIC PROCEDURE 1

Check "L" Terminal Circuit (Open)

1. CHECK "L" TERMINAL CONNECTION

1. Turn ignition switch OFF.
2. Check if "L" terminal is clean and tight.

OK or NG

OK >> GO TO 2.

NG >> Repair "L" terminal connection. Confirm repair by performing complete Battery/Starting/Charging system test. Refer to [SC-19, "Trouble Diagnosis with Battery/Starting/Charging System Tester \(Charging\)"](#).

2. CHECK "L" TERMINAL CIRCUIT (OPEN)

1. Disconnect alternator connector.
2. Apply ground to alternator harness connector F27 terminal 3 with the ignition switch in the ON position.

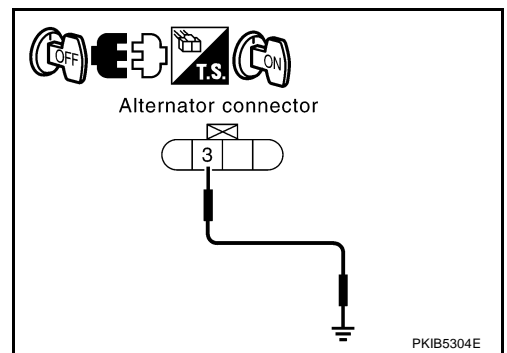
3 – Ground : Charge warning lamp should light up.

OK or NG

OK >> Go to [SC-21, "WORK FLOW"](#).

NG >> Check the following.

- Charge warning lamp (Combination meter)
- Harness for open between combination meter and fuse
- Harness for open between combination meter and alternator



DIAGNOSTIC PROCEDURE 2

Check "L" Terminal Circuit (Short)

1. CHECK "L" TERMINAL CIRCUIT (SHORT)

1. Turn ignition switch OFF.
2. Disconnect alternator connector.
3. Turn ignition switch ON.

Charge warning lamp should light up?

YES >> Check the following.

- Harness for short between combination meter and alternator
- Charge warning lamp (Combination meter)

NO >> Go to [SC-21, "WORK FLOW"](#).

CHARGING SYSTEM

DIAGNOSTIC PROCEDURE 3

Check "S" Terminal Circuit

1. CHECK "S" TERMINAL CONNECTION

1. Turn ignition switch OFF.
2. Check if "S" terminal is clean and tight.

OK or NG

OK >> GO TO 2.

NG >> Repair "S" terminal connection. Confirm repair by performing complete Battery/Starting/Charging system test. Refer to [SC-19, "Trouble Diagnosis with Battery/Starting/Charging System Tester \(Charging\)"](#).

2. CHECK ALTERNATOR "S" TERMINAL CIRCUIT

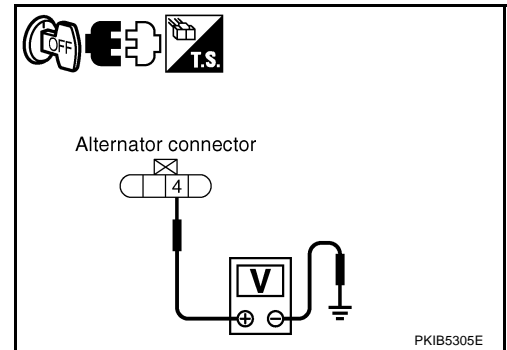
1. Disconnect alternator connector.
2. Check voltage between alternator harness connector F27 terminal 4 and ground.

4 – Ground : **Battery voltage**

OK or NG

OK >> Go to [SC-21, "WORK FLOW"](#).

NG >> Check harness for open between alternator and fuse.



CHARGING SYSTEM

DIAGNOSTIC PROCEDURE 4

Check "B" Terminal Circuit

1. CHECK "B" TERMINAL CONNECTION

1. Turn ignition switch OFF.
2. Check if "B" terminal is clean and tight.

OK or NG

OK >> GO TO 2.

NG >> Repair "B" terminal connection. Confirm repair by performing complete Battery/Starting/Charging system test. Refer to [SC-19, "Trouble Diagnosis with Battery/Starting/Charging System Tester \(Charging\)"](#).

2. CHECK ALTERNATOR "B" TERMINAL CIRCUIT

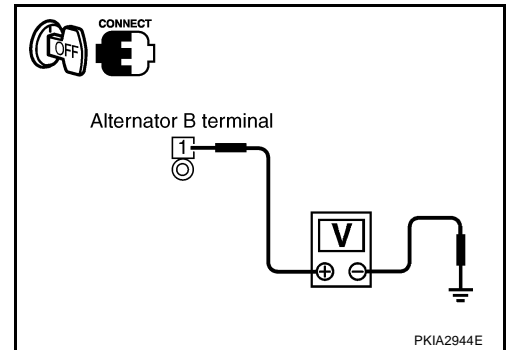
Check voltage between alternator "B" terminal F26 terminal 1 and ground.

1 – Ground : Battery voltage

OK or NG

OK >> GO TO 3.

NG >> Check harness for open between alternator and battery.



3. CHECK "B" TERMINAL CONNECTION (VOLTAGE DROP TEST)

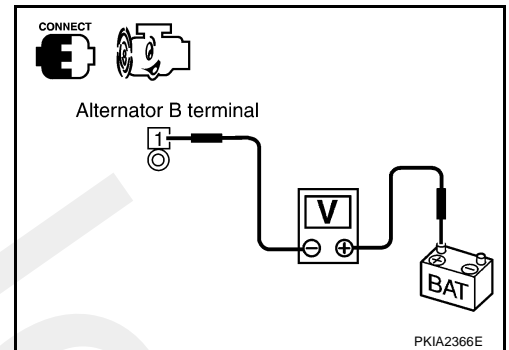
1. Start engine.
2. When engine running at idle and warm, check voltage between alternator "B" terminal F26 terminal 1 and battery positive terminal.

1 – Battery positive terminal : Less than 0.2 V

OK or NG

OK >> Go to [SC-21, "WORK FLOW"](#).

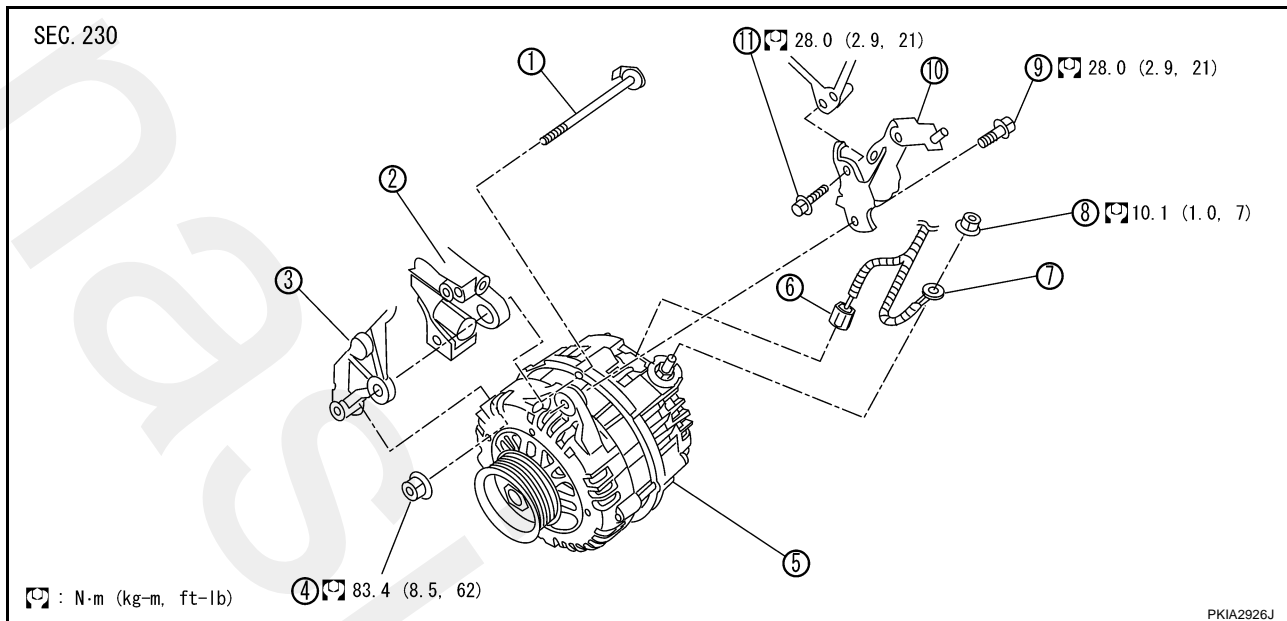
NG >> Check harness between battery and alternator for poor continuity.



CHARGING SYSTEM

Removal and Installation

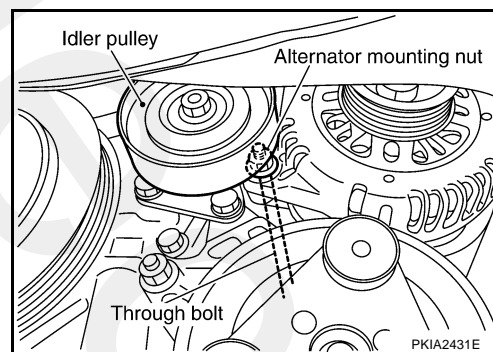
NKS001MN



- | | | |
|----------------------------|--------------------------------------|-----------------------------|
| 1. Through-bolt | 2. Cylinder block | 3. Timing chain case |
| 4. Alternator mounting nut | 5. Alternator | 6. Alternator connector |
| 7. B terminal harness | 8. B terminal nut | 9. Alternator mounting bolt |
| 10. Alternator bracket | 11. Alternator bracket mounting bolt | |

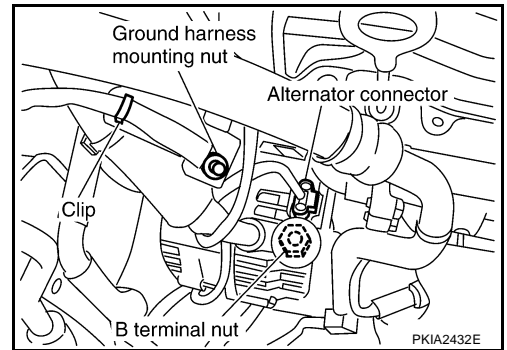
REMOVAL

1. Disconnect the battery cable from the negative terminal.
2. Remove engine undercover, using power tools.
3. Remove engine right side undercover.
4. Remove radiator and cooling fan assembly. Refer to [CO-13, "RADIATOR"](#).
5. Remove exhaust manifold cover (left bank) and three way catalyst cover.
6. Remove engine main harness (left side) clip.
7. Remove oil pressure sensor harness clip and connector.
8. Remove air conditioner compressor switch harness connector.
9. Remove alternator and air conditioner compressor belt. Refer to [EM-15, "Removal and Installation"](#).
10. Remove idler pulley.
11. Remove alternator mounting nut using power tools.
12. Remove through-bolt.



CHARGING SYSTEM

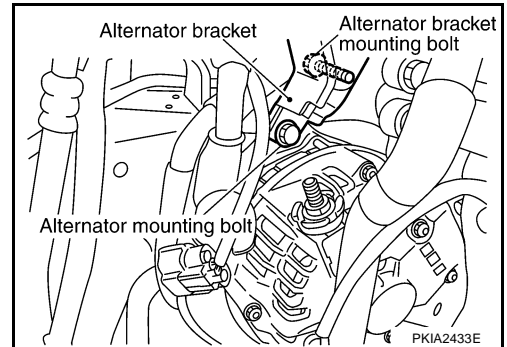
13. Disconnect alternator connector.
14. Remove "B" terminal nut.
15. Remove ground harness clip and ground harness mounting nut.



16. Remove alternator mounting bolt, using power tools.
17. Remove alternator bracket mounting bolt and alternator bracket.
18. Remove alternator upward.

NOTE:

Move alternator to battery side, then remove alternator upward.



ALTERNATOR PULLEY INSPECTION

Perform the following.

- Make sure that alternator pulley does not rattle.
- Make sure that alternator pulley nut is tight.

Alternator pulley nut:

: 74 N·m (7.5 kg-m, 55 ft-lb)

INSTALLATION

Installation is the reverse order of removal.

- Install alternator, and check tension of belt. Refer to [EM-13, "Checking Drive Belts"](#).

CAUTION:

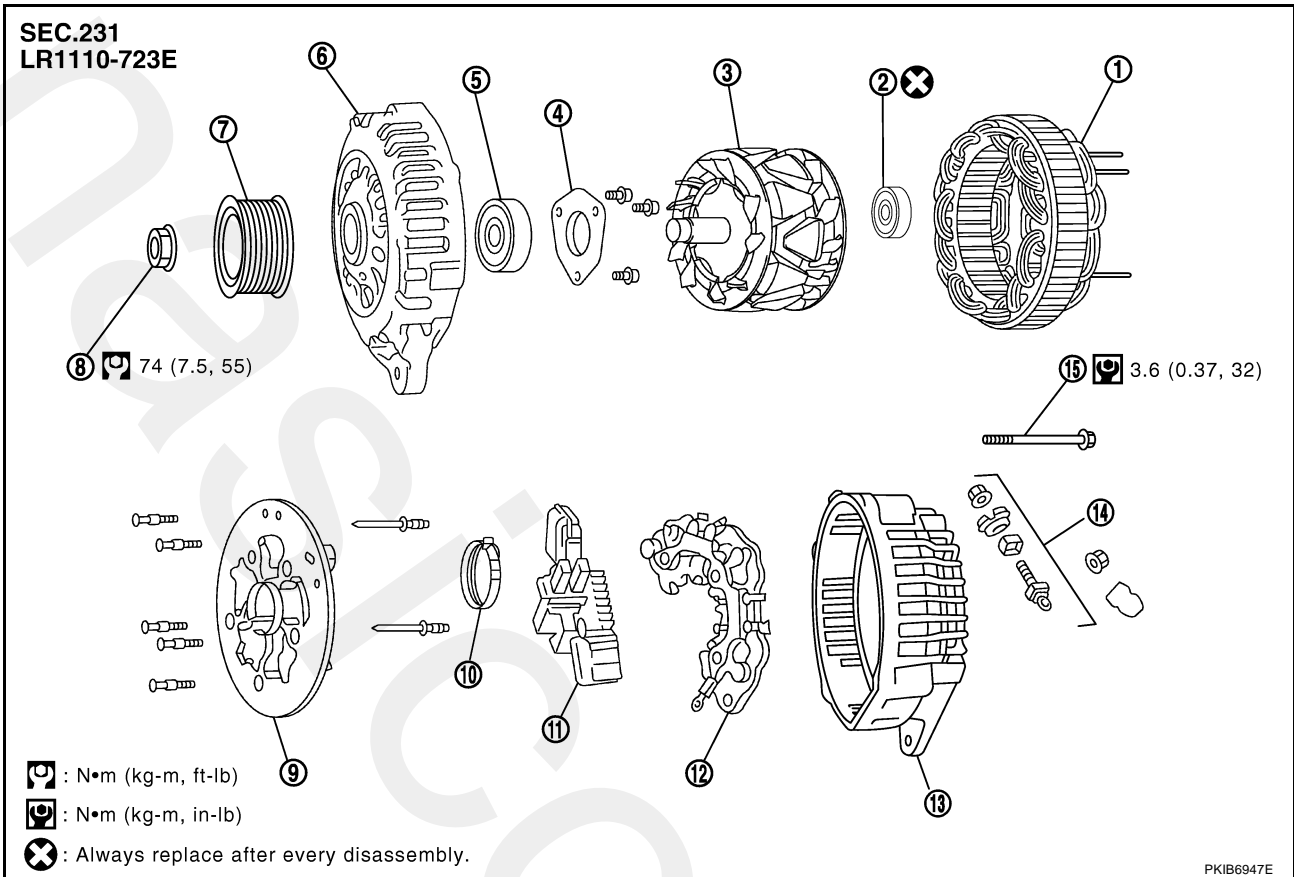
Be sure to tighten "B" terminal nut carefully.

A
B
C
D
E
F
G
H
I
J
SC
L
M

CHARGING SYSTEM

Disassembly and Assembly

NKS001MO



- | | | |
|---------------------------|-----------------------------------|--------------------|
| 1. Stator | 2. Rear bearing | 3. Rotor assembly |
| 4. Retainer | 5. Front bearing | 6. Front cover |
| 7. Pulley | 8. Pulley nut | 9. Fan guide |
| 10. Double labyrinth seal | 11. IC voltage regulator assembly | 12. Diode assembly |
| 13. Rear cover | 14. Terminal set | 15. Through-bolt |

SERVICE DATA AND SPECIFICATIONS (SDS)

SERVICE DATA AND SPECIFICATIONS (SDS)

PPF:00030

Battery

NKS001MP

	Standard	Option (With Intelligent Key)
Type	80D23L	110D26L
20 hour rate capacity	12 V - 62 Ah	12 V - 75 Ah
Cold cranking current (For reference value)	582 A	720 A

Starter

NKS001MQ

Type	M1T68681	
	MITSUBISHI make	
	Reduction gear type	
System voltage	12 V	
No-load	Terminal voltage	11 V
	Current	Less than 90 A
	Revolution	More than 2,750 rpm
Minimum diameter of commutator	28.8 mm (1.134 in)	
Minimum length of brush	5.5 mm (0.217 in)	
Brush spring tension	15.0 - 20.4 N (1.53 - 20.8 kg, 3.3 - 4.5 lb)	
Clearance between bearing metal and armature shaft	Less than 0.2 mm (0.008 in)	
Movement in height of pinion assembly	0.5 - 2.0 mm (0.020 - 0.079 in)	

Alternator

NKS001MR

Type	LR1110 - 723E
	HITACHI make
Nominal rating	12 V - 110 A
Ground polarity	Negative
Minimum revolution under no-load (When 13.5 V is applied)	Less than 1,100 rpm
Hot output current (When 13.5 V is applied)	(More than 35 A/1,300 rpm)
	More than 70 A/1,800 rpm
	More than 91 A/2,500 rpm
	More than 110 A/5,000 rpm
Regulated output voltage	14.1 - 14.7 V
Minimum length of brush	More than 6.00 mm (0.236 in)
Brush spring pressure	1.00 - 3.43 N (102 - 350 g, 3.60 - 12.34 oz)
Slip ring minimum outer diameter	More than 26.0 mm (1.024 in)
Rotor (Field coil) resistance	2.16 - 2.45 Ω

h
r
e
s
s
i
c
o
o
e
/e
c
i
r