



Renault DUSTER

Driver's handbook



A passion for performance



ELF, partner of
world series
by RENAULT



RENAULT recommends ELF

Partners in cutting-edge automotive technology, Elf and Renault combine their expertise on both the racetrack and the city streets. This enduring partnership gives drivers a range of lubricants perfectly suited to Renault cars. Lasting protection and optimum performance for your engine – guaranteed. Whether changing the oil or simply topping up, to find the approved ELF lubricant best suited to your vehicle, ask your Renault dealer for a recommendation or consult your vehicle maintenance handbook.



www.lubricants.elf.com



A brand from **TOTAL**

Welcome aboard your vehicle

This Driver's Handbook contains the information necessary:

- for you to familiarise yourself with your vehicle, to use it to its best advantage and to benefit fully from all the functions and the technical developments it incorporates.
- to ensure that it always gives the best performance by following the simple, but comprehensive advice concerning regular maintenance.
- to enable you to deal quickly with minor faults not requiring specialist attention.

It is well worth taking a few minutes to read this handbook to familiarise yourself with the information and guidelines it contains about the vehicle and its functions and new features. If certain points are still unclear, our Network technicians will be only too pleased to provide you with any additional information.

The following symbol will help you when reading this handbook:



To indicate a hazard, danger or safety recommendation.

The descriptions of the models given in this handbook are based on the technical specifications at the time of writing. **This handbook covers all items of equipment** (both standard and optional) **available for these models, but whether or not these are fitted to the vehicle depends on the version, options selected and the country where the vehicle is sold.**

This handbook may also contain information about items of equipment to be introduced later in the model year.

Throughout the manual, the «approved dealer» is your DACIA dealer.

Enjoy driving your new vehicle.

Translated from French. Copying or translation, in part or in full, is forbidden unless prior written permission has been obtained from the vehicle manufacturer.

basic.ele.ir



C O N T E N T S

Sections

Getting to know your vehicle

1

Driving

2

Your comfort

3

Maintenance

4

Practical advice

5

Technical specifications

6

Alphabetical index

7

basic.ele.c.ir

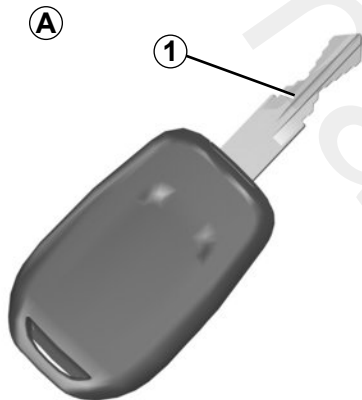


Section 1: Getting to know your vehicle

Keys, radio frequency remote control: general information	1.2
Locking/unlocking the doors	1.5
Automatic locking when driving	1.7
Opening and closing the doors	1.8
Front headrests	1.10
Front seats.	1.11
Seat belts.	1.13
Methods of restraint in addition to the front seat belts.	1.17
Side protection devices	1.20
Additional methods of restraint	1.21
Child safety: General information	1.22
child seat mounting	1.25
fitting a child seat	1.27
Deactivating/activating the front passenger air bag	1.33
Rear view mirrors	1.36
Driving position	1.37
Instrument panel: warning lights	1.41
Display and indicators	1.48
Trip computer and warning system	1.50
Steering wheel, Power-assisted steering	1.56
Clock	1.57
Audible and visual signals	1.58
Exterior lighting and signals.	1.59
Adjusting the headlight beam height	1.61
Screen washer/wiper	1.63
Fuel tank (filling with fuel)	1.65

KEYS, RADIO FREQUENCY REMOTE CONTROL: general information (1/2)

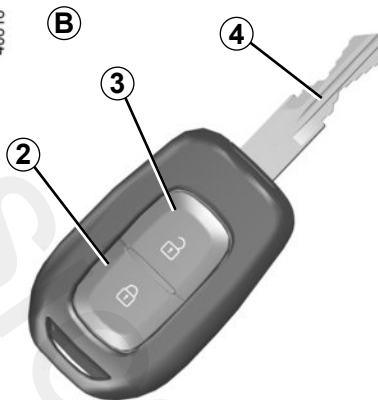
40617



Key A

- 1 Coded key for ignition switch, doors and fuel filler cap.

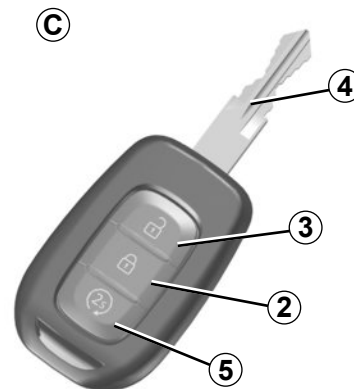
40616



Radio frequency remote control B or C

- 2 Locks all the opening elements.
- 3 Unlocks all the opening elements.

39814



- 4 Coded key for ignition switch, driver's door and fuel filler cap.
- 5 Remote engine start-up.

The key must not be used for any function other than those described in the handbook (removing the cap from a bottle, etc.).



Driver's responsibility when parking or stopping the vehicle

Never leave an animal, child or adult who is not self-sufficient alone on your vehicle, even for a short time.

They may pose a risk to themselves or to others by starting the engine, activating equipment such as the electric windows or by locking the doors.

Also, in hot and/or sunny weather, please remember that the temperature inside the passenger compartment increases very quickly.

RISK OF DEATH OR SERIOUS INJURY.

KEYS, RADIO FREQUENCY REMOTE CONTROL: general information (2/2)

The remote control unit operating range

This varies according to the environment. It is therefore important when handling the remote control to ensure that you do not lock or unlock the vehicle by inadvertently pressing the buttons.

Interference

The presence of certain objects (metal objects, mobile telephones, or an area with strong electromagnetic radiation, etc.) close to the key may create interference and affect the operation of the system.

Advice

Avoid leaving the remote control in hot, cold or humid areas.

Replacement and additional keys or remote controls

If you lose your remote control key or require another, you can obtain one from an approved dealer.

If a remote control or key is replaced, it will be necessary to take the vehicle **and all of its remote control keys** to an authorised dealer to reset them.

You may use up to four remote control keys per vehicle.

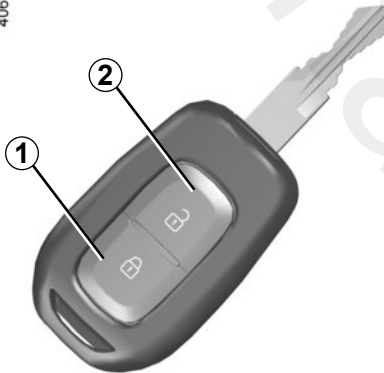
Remote control key failure

Make sure that the correct battery type is being used, and that the battery is in good condition and inserted correctly. These batteries have a service life of approximately two years.

Refer to the information on “Radio frequency remote control: Batteries” in Section 5.

RADIO FREQUENCY REMOTE CONTROL: use

40616



Unlocking the doors

Press unlocking button 2.

The hazard warning lights and side indicator lights **flash once** to indicate that the doors have unlocked.

If the vehicle has been unlocked but neither the doors or tailgate are open, it locks again automatically after two minutes.

Locking the doors

Press locking button 1.

The hazard warning lights and side indicator lights **flash twice** to indicate that the doors have locked.

If a door or the tailgate is open or not properly shut, the doors and tailgate lock then quickly unlock and the hazard warning lights and side indicator lights do not flash.

The key must not be used for any function other than those described in the handbook (removing the cap from a bottle, etc.).



Driver's responsibility when parking or stopping the vehicle

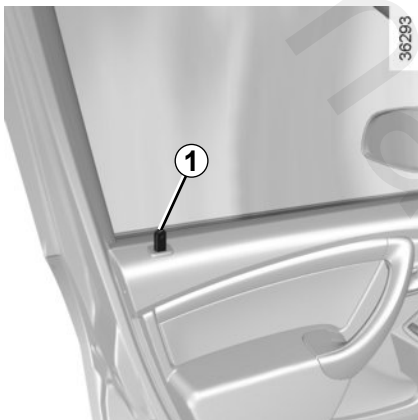
Never leave an animal, child or adult who is not self-sufficient alone on your vehicle, even for a short time.

They may pose a risk to themselves or to others by starting the engine, activating equipment such as the electric windows or by locking the doors.

Also, in hot and/or sunny weather, please remember that the temperature inside the passenger compartment increases very quickly.

RISK OF DEATH OR SERIOUS INJURY.

LOCKING AND UNLOCKING THE DOORS (1/2)



Manual locking

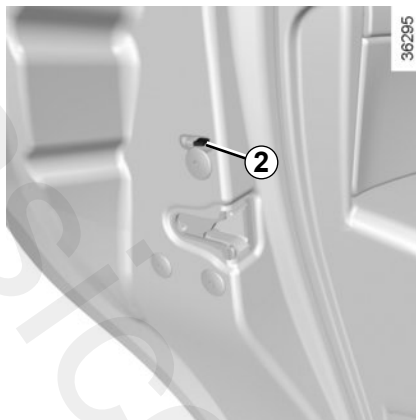
From the outside

Unlock the doors using the remote control (refer to information on the “Radio frequency remote control: use” in Section 1) or using the key in one of the door locks.

Depending on the vehicle, the key locks and unlocks the driver’s door or all four doors.

From the inside (depending on vehicle)

Push in button **1** to lock and lift button **1** to unlock.



Child safety

To make it impossible for the rear doors to be opened from the inside, move lever **2** on each door and check from the inside that the doors are securely locked.



Never leave your vehicle with the key or remote control inside.



Driver’s responsibility

If you decide to keep the doors locked when you are driving, remember that it may be more difficult for those assisting you to gain access to the passenger compartment in the event of an emergency.

LOCKING AND UNLOCKING THE DOORS (2/2)



Electric central locking

Depending on the vehicle, it can be used to simultaneously lock or unlock the four doors and the boot. Lock or unlock the doors by pressing switch **3**.

The front door mechanism cannot be locked if the door is open.

Door and tailgate status indicator (depending on vehicle)

With the ignition on, the warning light integrated in switch **3** informs you of the locking status of the opening elements:

- indicator light on, the doors and tailgate are locked;
- indicator light off, the doors and tailgate are unlocked.

When you lock the doors, the indicator light remains lit and then goes out.

Locking the opening elements without the radio frequency remote control

For example, in the event of a discharged battery or the radio frequency remote control temporarily not working.

With the engine switched off and an opening element (door or boot) open, press and hold switch **3** for more than five seconds.

When the door is closed, all the doors and the tailgate will be locked.

The vehicle can only be locked from the outside using the radio frequency remote control.



Driver's responsibility

If you decide to keep the doors locked when you are driving, remember that it may be more difficult for those assisting you to gain access to the passenger compartment in the event of an emergency.



Never leave your vehicle with the key or remote control inside.

AUTOMATIC LOCKING WHEN DRIVING



Operating principle

After the vehicle is started, the system automatically locks the doors once your speed reaches approximately 5 mph (7 km/h).

Activating/deactivating the function

To activate: with the vehicle at a standstill and the engine running, press the switch **1** until a beep sounds.

To deactivate: with the vehicle at a standstill and the engine running, press the switch **1** until a beep sounds.

Operating faults

If you notice an operating fault (automatic locking impossible), first check that all doors are correctly locked. If they are correctly locked and the fault is still present, contact an approved Dealer.

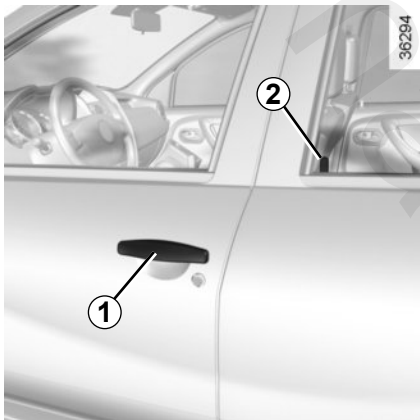
Also make sure that locking has not been inadvertently deactivated.

If this is the case, reactivate it.



If you decide to keep the doors locked when you are driving, remember that it may be more difficult for those assisting you to gain access to the passenger compartment in the event of an emergency.

OPENING AND CLOSING THE DOORS (1/2)

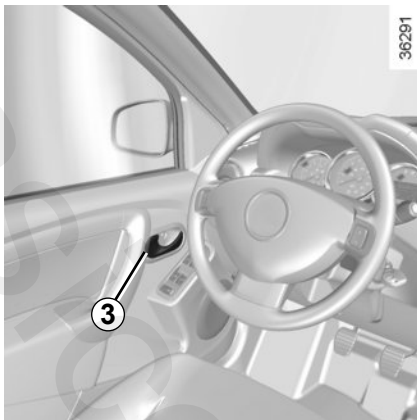


Opening from the outside

With the doors unlocked (refer to the information on “Locking/unlocking the doors” in Section 1).

Front: place your hand behind handle **1** and pull it towards you..

Rear (manual opening): lift unlocking button **2** from the inside and move the door handle.



Opening from the inside

Front: pull handle **3**

Rear: from the inside, lift unlocking button **2** and pull door handle **3**.



As a safety precaution, the doors should only be opened or closed when the vehicle is stationary.


OPENING AND CLOSING THE DOORS (2/2)


Lights-on reminder buzzer

If you have left the lights on after switching off the ignition, a warning buzzer will sound when a front door is opened (to prevent the battery from discharging, etc.).

Door/tailgate open buzzer

Depending on the vehicle, this alarm is fitted to the driver's side door or on all opening elements.

With the vehicle at a standstill, a warning light  will come on if a door or the boot is open or not properly closed.

While driving, as soon as the vehicle reaches 12 mph (20 km/h), a warning light  comes on with an audio beep.

Special note

Depending on the vehicle, accessories (e.g. radio) stop working either when the engine is switched off or when the driver's door is opened or when the doors are locked.



Driver's responsibility when parking or stopping the vehicle

Never leave an animal, child or adult who is not self-sufficient alone on your vehicle, even for a short time.

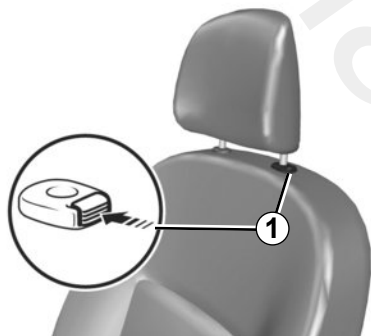
They may pose a risk to themselves or to others by starting the engine, activating equipment such as the electric windows or by locking the doors.

Also, in hot and/or sunny weather, please remember that the temperature inside the passenger compartment increases very quickly.

RISK OF DEATH OR SERIOUS INJURY.

FRONT HEADRESTS

36522

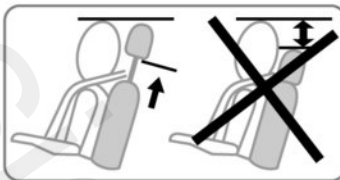


To raise the headrest

Pull the headrest upwards to the desired height.

To lower the headrest

Press button **1** and guide the headrest down to the desired height.



26342

To remove the headrest

Press button **1** and lift the headrest to release it (tilt the seatback backwards, if necessary).

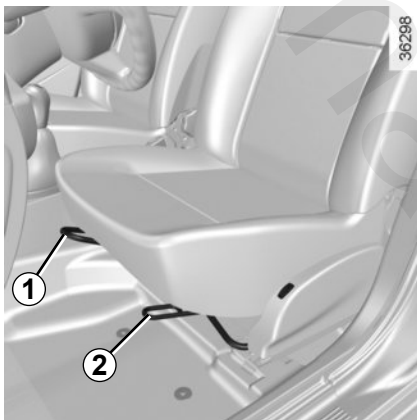
To refit the headrest

Insert the rods into the sleeves, with the notches facing forwards, and lower the headrest to the desired height. Check that it is correctly locked.



The headrest is a safety component. Ensure that it is fitted and in the correct position: the top of your head should be in line with the top of the headrest.

FRONT SEATS (1/2)

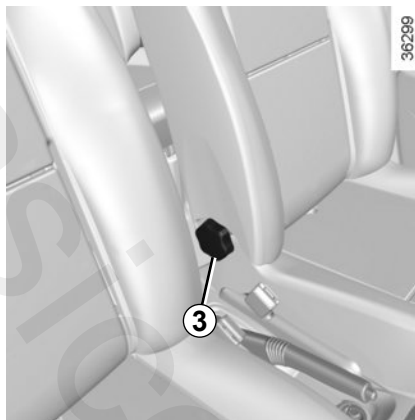


To move forwards or backwards

Lift bar **1** to release. Release the bar once the seat is in the correct position and ensure that the seat is fully locked into position.

To raise or lower the driver's seat surface

Depending on the vehicle, lift the lever **2** or pull the handle **4**, adjust the seat base to the desired height, then release the lever.

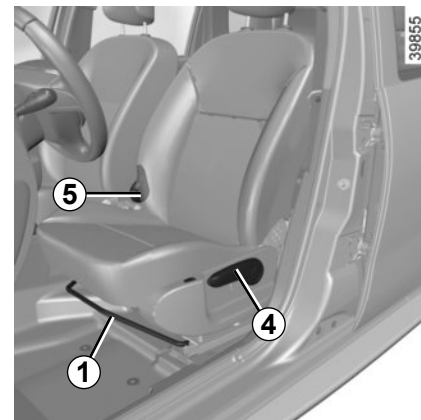


For safety reasons, carry out any adjustments when the vehicle is not being driven.

We would advise you not to recline the seatbacks too far to ensure that the effectiveness of the seat belts is not reduced.

Make sure that the seatbacks are correctly locked in place.

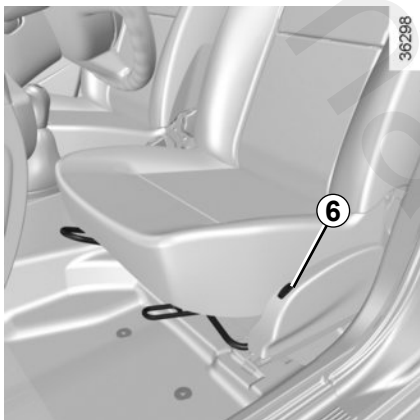
Nothing should be placed on the floor (area in front of driver) as such objects may slide under the pedal during braking manoeuvres, thus obstructing its use.



To tilt the seatback

Depending on the vehicle, move the control knob **3** or handle **5** and tilt the seatback to the desired position.

FRONT SEATS (2/2)

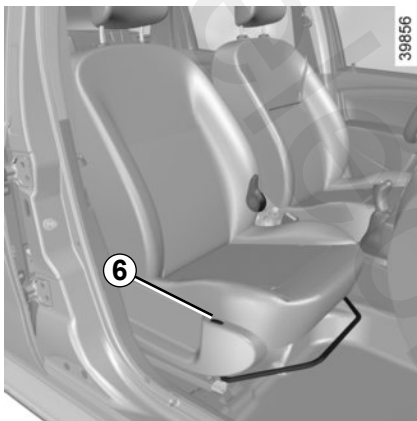


Heated seats

Depending on the vehicle, with the ignition on, press switch **6**.

The system, which has a thermostat, decides whether or not the heating is needed.

To exit this function, press switch **6** again.



SEAT BELTS (1/4)

Always wear your seat belt when travelling in your vehicle. You must also comply with the legislation of the particular country you are in.

Make sure that the rear bench seat is locked in position correctly so that the rear seat belts will operate efficiently. Refer to the information on the "Rear bench seat: functions" in Section 3.



Incorrectly adjusted or twisted seat belts may cause injuries in the event of an accident.

The seatbelt is for the use of one person only, whether adult or child. Even pregnant women should wear a seat belt. In this case, ensure that the lap belt is not exerting too much pressure on the abdomen, but do not allow any slack.

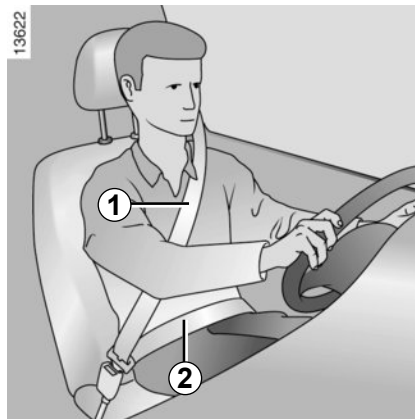
Before starting, adjust your driving position and then have each occupant adjust their seat belt to ensure optimum protection.

Adjusting your driving position

(depending on the vehicle)

- **Sit well back in your seat** (having removed your coat or jacket etc.). This is essential to ensure your back is positioned correctly;
- **adjust the distance between the seat and the pedals.** Your seat should be as far back as possible while still allowing you to depress the clutch pedal fully. The seatback should be adjusted so that your arms are slightly bent when you hold the steering wheel;
- **adjust the position of your headrest.** For the maximum safety, your head must be as close as possible to the headrest;
- **adjust the height of the seat.** This adjustment allows you to select the seat position which offers you the best possible view;
- **adjust the position of the steering wheel.**

13622



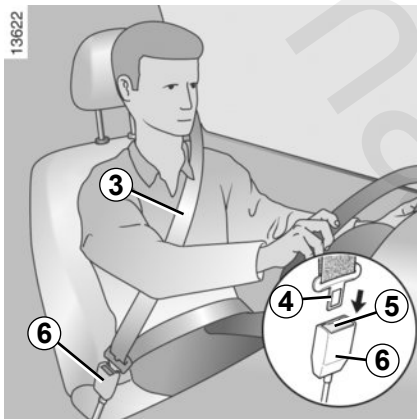
Adjusting the seat belts

Sit with your back firmly against the seatback.

Shoulder strap **1** should be as close as possible to the base of the neck but not on it.

Lap belt **2** must be worn flat over the thighs and against the pelvis. The seat belt must be worn as close to the body as possible. i.e.: avoid wearing heavy clothing or keeping bulky objects under the belts, etc.

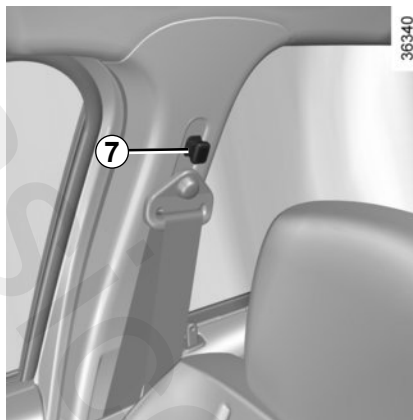
SEAT BELTS (2/4)



To fasten

Unwind the belt **slowly and smoothly** and ensure that buckle **4** locks into catch **6** (check that it is locked by pulling on buckle **4**). If it jams, allow it to return before attempting to unwind it again. If your seat belt is completely jammed, pull slowly, but firmly so that just over 3 cm unwinds. Allow it to return slightly before attempting to unwind it again.

If there is still a problem, contact an approved dealer.



Adjusting the front seat belt height

(depending on the vehicle)

Move button **7** to select the position you require so that chest strap **3** is worn as described above.

Make sure that the seat belt is locked in position correctly after you have adjusted it.



Seat belt reminder light

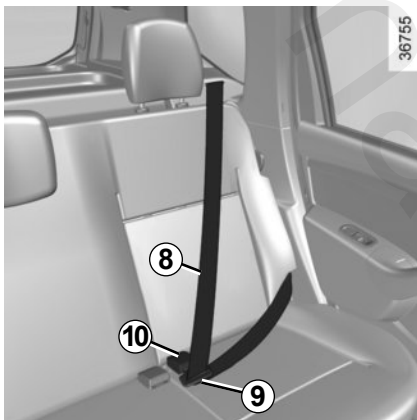
Depending on the vehicle, it comes on when the engine is started and if the driver's and/or passenger's seat belt is not fastened. When the vehicle is being driven, it comes on and a beep sounds for approximately 2 minutes until the driver's seat belt is fastened.

Note: an object placed on the passenger seat base may activate the warning light in some cases.

Unlocking

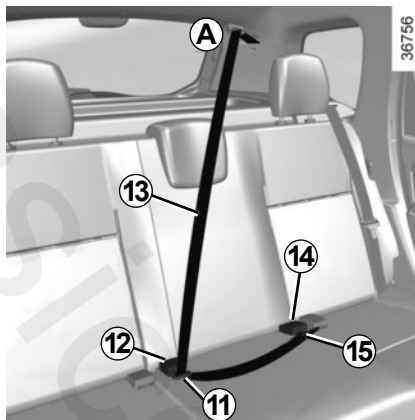
Press button **5** on catch **6**; the seat belt is wound up by the inertia reel. Guide the buckle to facilitate this manoeuvre.

SEAT BELTS (3/4)



Rear side seat belts

Slowly unwind belt **8** and click buckle **9** into red catch **10**.



Rear centre seat belt A

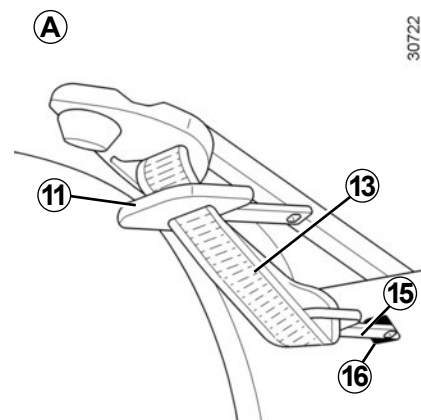
(depending on vehicle)

Remove buckle **15** from its housing **16**.

Slowly unwind the belt **13** and click the buckle **15** into the black catch **14**.

Fasten the sliding buckle **11** into the red catch **12**.

Insert buckle **15** into housing **16** whenever the seat belt is not in use.



Check that the rear seat belts are positioned and operating correctly each time the rear seats are moved.

SEAT BELTS (4/4)

The following information applies to the vehicle's front and rear seat belts.



- No modification may be made to the component parts of the originally fitted restraint system: seat belts, seats and their mountings. For special operations (e.g. fitting child seats), contact an authorised dealer.
- Do not use devices which allow any slack in the belts (e.g. clothes pegs, clips, etc.): a seat belt which is worn too loosely may cause injury in the event of an accident.
- Never wear the shoulder strap under your arm or behind your back.
- Never use the same belt for more than one person and never hold a baby or child on your lap with your seat belt around them.
- The belt should never be twisted.
- Following an accident, have the seat belts checked and replaced if necessary. Always replace your seat belts as soon as they show any signs of wear.
- Make sure that the buckle is inserted into the appropriate catch.
- When refitting the rear bench seat, take care that the seat belts are correctly positioned so that they can be used properly.
- Ensure that no objects are placed in the area around the seat belt catch as they could prevent it from being properly secured.
- Make sure the seat belt catch is properly positioned (it should not be hidden away, crushed or flattened by people or objects).

METHODS OF RESTRAINT IN ADDITION TO THE FRONT SEAT BELTS (1/3)

Depending on the vehicle, they are composed of:

- seat belt pretensioners;
- chest-level load limiters;
- air bags for the driver and front passenger.

These systems are designed to act independently or together when the vehicle is subjected to a frontal impact.

Depending on the severity of the impact, the system can trigger:

- seat belt locking;
- the seat belt pretensioner to hold the occupant in the seat, and the force limiter;
- the front air bag.



Pretensioner

With the ignition switched on, if the vehicle is subject to a significant frontal impact the system may, depending on the severity of the impact, trigger a piston which instantly retracts the seat belt.

The pretensioner holds the seat belt against the body, holding the occupant more securely against the seat, thus increasing the seat belt's efficiency.

Load limiter

Above a certain level of impact force, this mechanism is used to limit the force of the belt against the body so that it is at an acceptable level.



– Have the entire restraint system checked following an accident.

– No operation whatsoever is permitted on any part of the system (air bags, electronic control units, wiring) and the system components must not be reused on any other vehicle, even if identical.


- To avoid premature triggering of the system which may cause injury, only qualified Network personnel are authorised to work on the methods of restraint in addition to the front seat belt.
- The electric trigger system may only be tested by a specially trained technician using special equipment.
- When the vehicle is scrapped, contact an approved dealer for disposal of the pretensioner and airbag gas generators.

METHODS OF RESTRAINT IN ADDITION TO THE FRONT SEAT BELTS (2/3)

Driver's and passenger air bags

These may be fitted to the front seats on the driver and passenger side (location **A**).

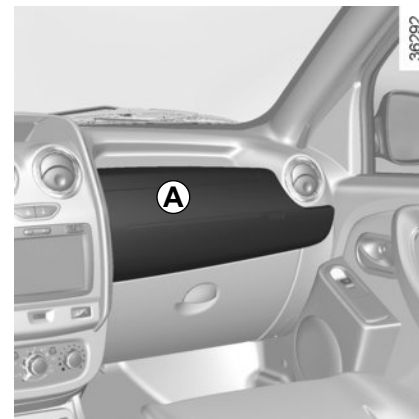
Each air bag system consists of:

- an air bag and gas generator fitted on the steering wheel for the driver and in the dashboard for the front passenger;
- an electronic unit for system monitoring which controls the gas generator electrical trigger system;
- a special warning light ;
- remote sensors.

Operation

This system is only operational when the ignition is switched on.

If a severe **frontal** impact occurs, the air bag(s) inflate(s) rapidly, cushioning the impact of the driver's head and chest against the steering wheel and the front passenger's head against the dashboard. The air bag then deflates immediately so that the passengers are not impeded in any way when they get out of the vehicle.



The air bag system uses pyrotechnic principles. This explains why, when the air bag inflates, it will generate heat, produce smoke (this does not mean that a fire is about to start) and make a noise upon detonation. An air bag may inflate immediately, causing some minor, superficial grazing to the skin or other discomfort.

METHODS OF RESTRAINT IN ADDITION TO THE FRONT SEAT BELTS (3/3)

All of the warnings below are given so that the air bag is not obstructed in any way when it is deployed and also to prevent the risk of serious injuries caused by items which may be dislodged when the air bag deploys.



Warnings concerning the driver's air bag

- Do not modify the steering wheel or the steering wheel boss.
- Do not cover the steering wheel boss under any circumstances.
- Do not attach any objects (badge, logo, clock, telephone holder, etc.) to the steering wheel boss.
- You must not remove the steering wheel (such work must only be performed by trained personnel from our Network).
- When driving, do not sit too close to the steering wheel. Sit with your arms slightly bent (see the information on “Adjusting your driving position” in Section 1). This will allow sufficient space for the air bag to inflate properly and be fully effective.

Warnings concerning the passenger air bag

- Do not attach or glue any objects (badge, logo, clock, telephone holder, etc.) to the dashboard in the proximity of the air bag housing.
- Do not place anything between the dashboard and the passenger (pet, umbrella, walking stick, parcels, etc.).
- The passenger must not put his or her feet on the dashboard or seat as there is a risk that serious injuries may occur. In general, all parts of the body should be kept away from the dashboard (knees, hands, head etc.).
- You should reactivate the passenger air bag as soon as you remove the child seat to ensure the protection of the front passenger in the event of an impact.

A REAR-FACING CHILD SEAT MUST NOT BE FITTED TO THE FRONT PASSENGER SEAT UNLESS THE RESTRAINT SYSTEMS IN ADDITION TO THE SEAT BELT, I.E. AIR BAG, ARE DEACTIVATED.

(refer to the information on “Child safety: deactivating/activating the front passenger air bag” in Section 1)

SIDE PROTECTION DEVICES

Side air bags

These air bags may be fitted to the front seats and are deployed at the sides of the seats (door side) to protect the occupants in the event of a severe side impact.



Warnings concerning the side air bag

- **Fitting seat covers:** seats equipped with an air bag require covers specifically designed for your vehicle. Contact an approved dealer to find out if such covers are available from our Network. The use of any covers other than those designed for your vehicle (including those designed for another vehicle) may affect the operation of the air bags and reduce your protection.
- In the front, do not place any accessories, objects or even pets between the seatback, the door and the internal fittings. Do not cover the seatback with objects such as clothes or accessories. This may prevent the airbag from operating correctly or cause injury when the airbag is deployed.
- No work or modification whatsoever may be carried out on the seat or internal fittings, except by qualified personnel from our Network.

ADDITIONAL METHODS OF RESTRAINT

All of the warnings below are given so that the air bag is not obstructed in any way when it is inflated and also to prevent the risk of serious injuries caused by items which may be dislodged when the air bag inflates.




The airbag is designed to complement the action of the seat belt. Both the airbags and seat belts are integral parts of the same protection system. It is therefore essential to wear the seat belt at all times. If seat belts are not worn, the occupants are exposed to the risk of serious injury in the event of an accident. It may also increase the risk of minor superficial injuries occurring when the airbag is deployed, although such minor injuries are always possible with airbags.

If the vehicle should overturn or suffer a rear impact, however severe, the pretensioners and air bags are not always triggered. Impacts to the underside of the vehicle, e.g. from pavements, potholes or stones, can all trigger these systems.

- No work or modification **whatsoever** may be carried out on any part of the driver or passenger air bag system (air bag, electronic unit, wiring, etc.), except by qualified personnel from our Network.
- To ensure that the system is in good working order and to avoid accidental triggering of the system which could cause injury, only qualified personnel from our Network may work on the air bag system.
- As a safety precaution, have the air bag system checked if your vehicle has been involved in an accident, or is stolen or broken into.
- When selling or lending the vehicle, inform the user of these points and hand over this driver's handbook with the vehicle.
- When scrapping your vehicle, contact your approved Dealer for disposal of the gas generator(s).

Operating faults

This warning light  will light up on the instrument panel when the ignition is switched on and then go out after a few seconds.

If it does not light up when the ignition is switched on, or if it lights up when the engine is running, it indicates a fault in the system. In this case, fitting a child seat in the front passenger seat is PROHIBITED.

Contact an approved dealer as soon as possible. Your protection will be reduced until this fault is rectified.

CHILD SAFETY: General information (1/2)

Carrying children

Children, and adults, must be correctly seated and strapped in for all journeys. The children being carried in your vehicle are your responsibility.

A child is not a miniature adult. Children are at risk of specific injuries as their muscles and bones have not yet finished growing. The seat belt alone would not provide suitable protection. Use an approved child seat and ensure you use it correctly.



To prevent the doors being opened, use the childproof locks (refer to the information on “Locking/unlocking the doors” in Section 1).



A collision at 30 mph (50 km/h) is the same as falling a distance of 10 metres. Transporting a child without a restraint is the equivalent of allowing him or her to play on a fourthfloor balcony without railings.

Never travel with a child held in your arms. In the event of an accident, you will not be able to keep hold of the child, even if you yourself are wearing a seat belt.

If your vehicle has been involved in a road accident, replace the child seat and have the seat belts and ISOFIX fittings checked.



Never leave a child unattended in the vehicle.

Check that your child is always strapped in and that the belt or safety harness used is correctly set and adjusted. Avoid wearing bulky clothing which could cause the belts to slacken.

Never let your child put their head or arms out of the window.

Check that the child is in the correct position for the entire journey, especially if asleep.

CHILD SAFETY: General information (2/2)

Using a child seat

The level of protection offered by the child seat depends on its ability to restrain your child and on its installation. Incorrect installation compromises the protection it offers the child in the event of harsh braking or an impact.

Before purchasing a child seat, check that it complies with the regulations for the country you are in and that it can be fitted in your vehicle. Consult an approved dealer to find out which seats are recommended for your vehicle.

Before fitting a child seat, read the manual and respect its instructions. If you experience any difficulties during installation, contact the manufacturer of the equipment. Keep the instructions with the seat.

Set a good example by always fastening your seat belt and teaching your child:

- to strap themselves in correctly;
- to always get in and out of the car at the kerb, away from busy traffic.

Do not use a second-hand child seat or one without an instruction manual.

Check that there are no objects in the vicinity of the child seat which could impede its operation.



Never leave a child unattended in the vehicle.

Check that your child is always strapped in and that the belt or safety harness used is correctly set and adjusted. Avoid wearing bulky clothing which could cause the belts to slacken.

Never let your child put their head or arms out of the window.

Check that the child is in the correct position for the entire journey, especially if asleep.

CHILD SAFETY: choosing a child seat



Rear-facing child seats

A baby's head is, proportionally, heavier than that of an adult and its neck is very fragile. Transport the child in this position for as long as possible (until the age of 2 at the very least). It supports the head and neck. Choose a bucket type seat for better side protection and replace it as soon as the child's head extends past the seat shell.



Forward-facing child seats

The child's head and abdomen need to be protected as a priority. A forward-facing child seat which is firmly attached to the vehicle will reduce the risk of impact to the head. Ensure your child travels in a forward-facing seat with a harness for as long as their size permits. Choose a wrap-around seat for better side protection.



Booster cushions

From 15 kg or 4 years, the child can travel using a booster seat, which will enable the seat belt to be adapted to suit his/her size and shape. The booster seat cushion must be fitted with guides to position the seat belt on the child's thighs rather than the stomach. It is recommended that you use a seat-back fitted with a belt strap guide which can be adjusted in terms of height to position the seat belt in the centre of the shoulder. It should never rest on the neck or over the arm. Choose a bucket type seat for better side protection.

CHILD SAFETY: mounting a child seat (1/2)

Attachment via the seat belt

The seat belt must be adjusted to ensure that it is effective in the event of harsh braking or an impact.

Ensure that the strap paths indicated by the child seat manufacturer are respected.

Always check that the seat belt is correctly fastened by pulling it up, then pulling it out fully whilst pressing on the child seat.

Check that the seat is correctly held by moving it from side to side and back to front: the seat should remain firmly fixed.

Check that the child seat has not been installed at an angle and that it is not resting against a window.



Do not use the child seat if it may unfasten the seat belt restraining it: the base of the seat must not rest on the buckle and/or catch of the seat belt.



The seat belt must never be twisted or the tension relieved. Never pass the shoulder strap under the arm or behind the back.

Check that the seat belt has not been damaged by sharp edges. If the seat belt does not operate normally, it will not protect the child. Consult an approved dealer. Do not use this seat until the seat belt has been repaired.



No modifications may be made to the component parts of the restraint system (seat belts, ISOFIX, seats and their mountings) originally fitted.

Attachment with the ISOFIX system

Authorised ISOFIX child seats are approved in accordance with regulation ECE-R44 in one of the three following cases:

- ISOFIX universal 3-point forward-facing seat;
- ISOFIX semi-universal 2-point seat;
- specific.

For the latter two, check that your child seat can be installed by consulting the list of compatible vehicles.

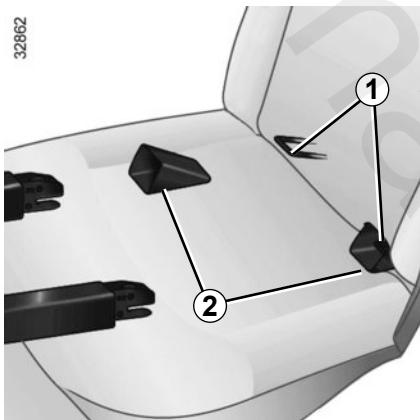
Attach the child seat with the ISOFIX locks, if these are provided. The ISOFIX system allows quick, easy, safe fitting.

The ISOFIX system is composed of 2 rings for each rear side seat.



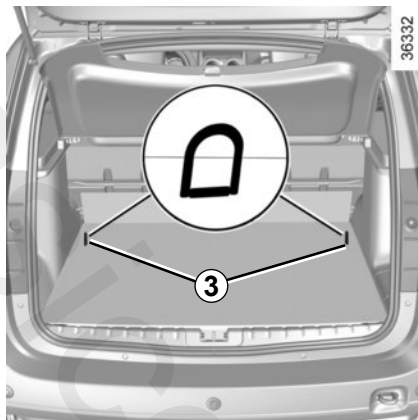
Before using an ISOFIX child seat that you purchased for another vehicle, check that its installation is authorised. Consult the list of vehicles which can be fitted with the seat from the equipment manufacturer.

CHILD SAFETY: mounting a child seat (2/2)



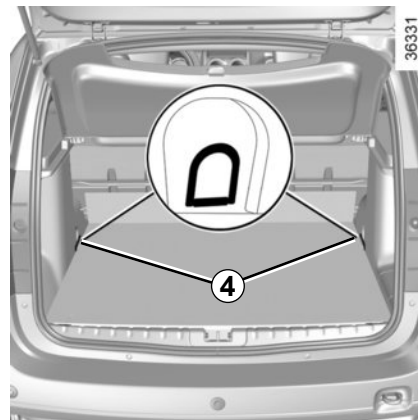
The rings ISOFIX **1** are located between the seatback and the seat base and are clearly visible.

To ensure your child seat can be easily fitted and locked on rings **1**, use access guides **2** on the child seat.



The third ring of each side seat is used to attach the upper strap on some child seats.

Pass the belt between the seatback and the rear parcel shelf (to remove the parcel shelf: refer to Section 3 "Parcel shelf").



Attach the hook on the belt to one of the rings **3** (4x2 version) or **4** (4x4 version).

Pull the belt so that the back of the child seat comes into contact with the back of the vehicle seat.



The ISOFIX anchorage points have been exclusively designed for child seats with the ISOFIX system. Never fit a different type of child seat, seat belt or other objects to these anchorage points.

Check that nothing is obstructing the anchorage points.

If your vehicle has been involved in a road accident, have the ISOFIX anchorage points checked and replace your child seat.



It is essential to use the boot anchorage points **3** or **4** to attach the upper belt of the child seat.

It is forbidden to use other mounting points to attach this strap.

CHILD SAFETY: fitting a child seat (1/6)

Some seats are not suitable for fitting child seats. The diagrams on the following pages show you how to attach a child seat.



Fit the child seat in a rear seat wherever possible.

Make sure that the child seat or the child's feet do not prevent the front seat from locking correctly. Refer to the information on the "Front seat" in Section 1.

Check that when installing the child seat in the vehicle it is not at risk of coming loose from its base.

If you have to remove the headrest, check that it is correctly stored so that it does not come loose under harsh braking or impact.

Always attach the child seat to the vehicle even if it is not in use so that it does not come loose under harsh braking or impact.

The types of child seats indicated may not be available. Before using a different child seat, check with the manufacturer that it can be fitted.

In the front seat

The laws concerning children travelling in the front passenger seat differ in every country. Consult the legislation in force and follow the indications on the diagram on the following page.

Before fitting a child seat in this seat (if authorised):

- deactivate the front passenger air bag;
- lower the seat belt as far as possible;
- move the seat as far back as possible;
- gently tilt the seatback away from vertical (approximately 25°);
- on equipped vehicles, raise the seat base as far as possible.

In all situations, reinsert the headrest to its full extent so that it does not interfere with the child seat (see the information on "Front headrests" in Section 1);

After installing the child seat, if necessary, the seat may be advanced (so as to leave enough space in the rear seats for passengers or other child seats). For a rear-facing child seat, do not let it touch the dashboard or move it to the furthest forward position.

Do not change other settings after installing the child seat.



RISK OF DEATH OR SERIOUS INJURY:

before fitting a child seat in this seat, check that the air bag has been deactivated (refer to the information on "Deactivating the front passenger air bag" in Section 1).

CHILD SAFETY: fitting a child seat (2/6)

In the rear side seat

A carrycot can be installed across the vehicle and will take up at least two seats. Position the child with his or her feet nearest the door.

Before installing a child seat in the ISOFIX anchoring points on a rear side seat, check that the seat belt buckles are not placed between the two ISOFIX anchorage points in this seat. If necessary, move the buckle from the seat in question towards the centre of the vehicle.

Move the front seat as far forward as possible to install a rear-facing child seat, then move back the seat in front as far as it will go, although without allowing it to come into contact with the child seat.

For the safety of the child in the forward-facing seat, do not move the seat in front back past the middle of the runner, do not tilt the seatback too far (maximum of 25°) and raise the seat as much as possible.

Check that the forward-facing child seat is resting against the back of the vehicle seat and that the headrest of the vehicle is not obstructing its use.

Rear centre seat

A child seat may only be fitted in this seat if it is equipped with an inertia-reel seat belt. For any additional information, contact an approved dealer.



A child seat with support struts must never be installed on the rear centre seat. **RISK OF DEATH OR SERIOUS INJURY.**



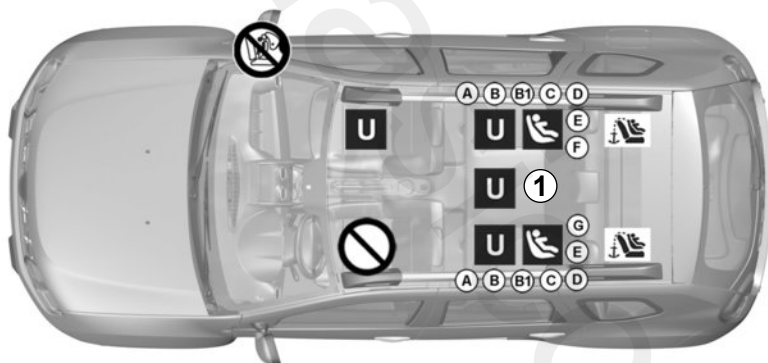
Ensure that the child seat or the child's feet do not prevent the front seat from locking correctly. Refer to the information on the «Front seats» in Section 1 or «Rear seat operation» in Section 3.




When fitting a child seat (Group 2 or 3 booster seat), check that the seat belts operate (wind) correctly: refer to Section 1 «Rear seat belts». If necessary, adjust the position of the vehicle seat.

CHILD SAFETY: fitting a child seat (3/6)

Vehicles without air bag OR with air bag deactivated




 Check the status of the air bag before fitting a child seat or allowing a passenger to use the seat.



RISK OF DEATH OR SERIOUS INJURY: before installing a child/baby seat on the front passenger seat, check that the air bag has been deactivated (refer to “Deactivating the front passenger air bag” at the end of the paragraph).

 Seat not suitable for fitting child seats.

 Seat which allows a child seat with “Universal” approval to be attached by a seat belt.

① Only if the seat is equipped with an inertia-reel belt.

Child seat attached using the ISOFIX mounting



Seat which allows an ISOFIX child seat to be fitted.



The rear seats are fitted with an anchorage point which allows a forward-facing ISOFIX child seat with universal approval to be fitted. The anchorage points are located under the luggage compartment carpet and are indicated by a marking.

The size of the ISOFIX child seat is indicated by a letter:

- A, B and B1: for forward-facing seats in group 1 (9 to 18 kg);
- C: rear-facing seats in group 1 (9 to 18 kg);
- D and E: shell seat or rear-facing seats in group 0 or 0+ (less than 13 kg);
- F and G: cots in group 0 (less than 10 kg).

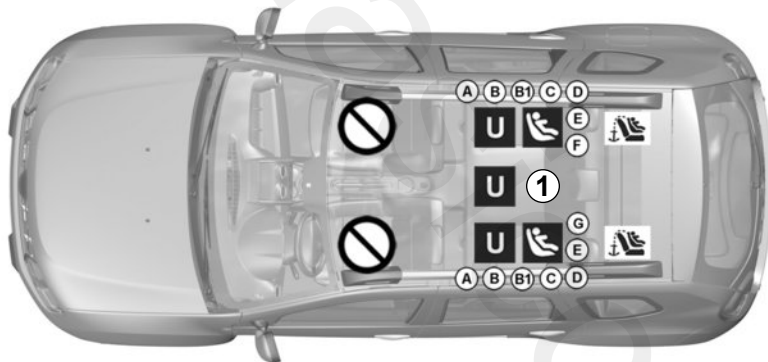


Using a child safety system which is not approved for this vehicle will not correctly protect the baby or child. They risk serious or even fatal injury.


38789

CHILD SAFETY: fitting a child seat (4/6)

Vehicles with passenger air bag not deactivated



38790

 Seat not suitable for fitting child seats.



RISK OF DEATH OR SERIOUS INJURY: never fit a child seat to this seat.

Child seat attached using the belt

U Seat which allows a child seat with "Universal" approval to be attached by a seat belt.

① Only if the seat is equipped with an inertia-reel belt.

Child seat attached using the ISOFIX mounting



Seat which allows an ISOFIX child seat to be fitted.



The rear seats are fitted with an anchorage point which allows a forward-facing ISOFIX child seat with universal approval to be fitted. The anchorage points are located under the luggage compartment carpet and are indicated by a marking.

The size of the ISOFIX child seat is indicated by a letter:

- A, B and B1: for forward-facing seats in group 1 (9 to 18 kg);
- C: rear-facing seats in group 1 (9 to 18 kg);
- D and E: shell seat or rear-facing seats in group 0 or 0+ (less than 13 kg);
- F and G: cots in group 0 (less than 10 kg).



Using a child safety system which is not approved for this vehicle will not correctly protect the baby or child. They risk serious or even fatal injury.

CHILD SAFETY: fitting a child seat (5/6)

The table below summarises the information already shown on the diagram on the previous pages, to ensure the regulations in force are respected.

Type of child seat	Weight of the child	Seat size	Front passenger seat without air bag or with air bag deactivated (1)(5)	Front passenger seat with air bag without deactivation (1)(6)	Rear side seats	Rear centre seat (7)
Carrycot fitted across the vehicle Approved for group 0	< 10kg	F - G	X	X	U-IL (2)	U
Rear-facing shell seat Approved for group 0 or 0+	< 13kg 9 to 18kg	D, E	U	X	U-IL (3)	U
Rear-facing seat Approved for group 0+ and 1	9 to 18kg	C	U	X	U-IL (3)	U
Forward-facing seat Approved for group 1	9 to 18kg	A, B, B1	X	X	U - IUUF - IL (4)	U
Booster seat Approved for group 2 and 3	15 kg to 25 kg and 22 to 36 kg	–	X	X	U (4)	U



(5) RISK OF DEATH OR SERIOUS INJURY: before fitting a child seat on the front passenger seat, check that the air bag has been deactivated (refer to the information on “Deactivating the front passenger air bag” in Section 1).

(6) RISK OF DEATH OR SERIOUS INJURY: never fit a child seat to this seat.

CHILD SAFETY: fitting a child seat (6/6)

X = Seat not suitable for fitting child seats.

U = Seat which allows a child seat with “Universal” approval to be installed using a seat belt; check that it can be fitted.

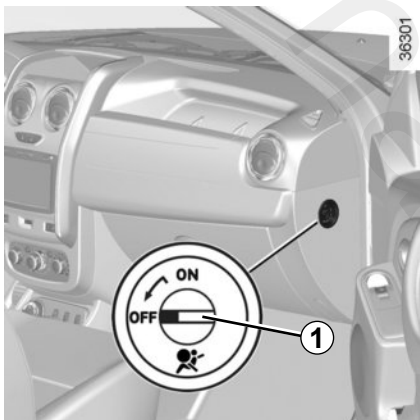
IUF = Seat which, on equipped vehicles, allows forward-facing child seats with “Universal” approval to be attached by the ISOFIX system: check that it can be fitted.

IL = On equipped vehicles, seat which allows an approved “semi-universal” or “vehicle specific” child seat to be attached using the ISOFIX system; check that it can be fitted.

Refer to the brochure “Child safety equipment” available from the Network to choose the seat suited to your child and recommended for your vehicle.

- (1) Only a rear-facing child seat can be fitted in this seat: raise the seat to the maximum and position it as far back as possible, tilting the seatback slightly (approximately 25°).
- (2) A carrycot can be installed across the vehicle and will take up two seats. Position the child with his or her feet nearest the door.
- (3) Move the front seat as far forward as possible to install a rear-facing child seat, then move back the seat in front as far as it will go, although without allowing it to come into contact with the child seat.
- (4) Forward-facing child seat; position the seatback of the child seat in contact with the seatback of the vehicle seat. Adjust the headrest, or remove it if necessary. Do not push the seat in front of the child more than halfway back on its runners and do not recline the seatback more than 25°.
- (7) A child seat may only be fitted in this seat if it is equipped with an inertia-reel seat belt. For any additional information, please contact an authorised dealer.

CHILD SAFETY: deactivating/activating the front passenger air bag (1/3)




Deactivating the front passenger air bag (depending on vehicle)

To fit a rear-facing child seat on the front passenger seat, you **must** deactivate the front passenger air bag if your vehicle is fitted with air bag deactivation.




To deactivate the passenger airbag, with the ignition off, press and turn button **1** to the OFF position.

With the ignition switched back on, it is **essential** to check that warning light **2**, , is lit up on the instrument panel.

This warning light remains continuously lit to let you know that you can fit a child seat.

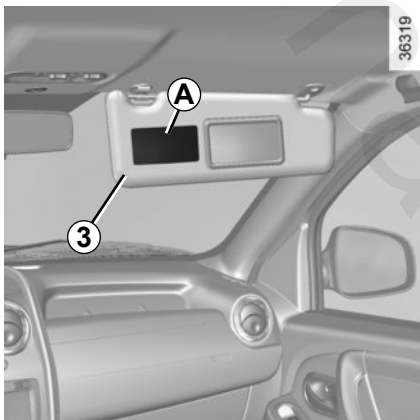


The passenger air bag must be activated or deactivated with the **ignition off**.

If handled when the ignition is on, the warning light  comes on.

Switch the ignition off then on again to reset the air bag in accordance with the lock position.

CHILD SAFETY: deactivating/activating the front passenger air bag (2/3)



A

35770



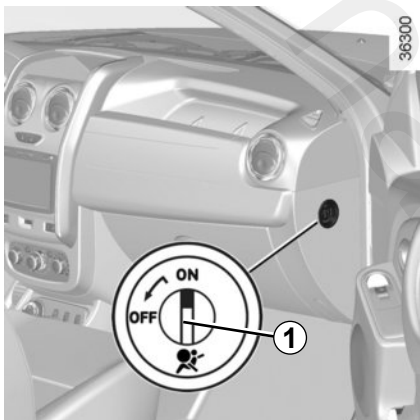
The markings on the dashboard and labels **A** on each side of the passenger sun visor **3** (as shown above) repeat these instructions.



DANGER

Since operation of the front passenger airbag is not compatible with the position of a rear-facing child seat, **NEVER** fit a restraint system for a rear-facing child in a seat protected by an **ACTIVATED front AIRBAG**. This can cause the **CHILD'S DEATH** or **SERIOUS INJURY**.

CHILD SAFETY: deactivating/activating the front passenger air bag (3/3)



Activation of the front passenger air bag (depending on vehicle)

You should reactivate the airbag as soon as you remove the child seat from the front passenger seat to ensure the protection of the front passenger in the event of an impact.

To reactivate the airbag: with the vehicle at a standstill and with the ignition switched off, press and turn button **1** to the ON position.

With the ignition switched on, it is **essential** to check that warning light **2**,



is off.



Operating faults


It is forbidden to fit a rear-facing child seat to the front passenger seat if the air bag activation/deactivation system is faulty.

Allowing any other passenger to sit in that seat is not recommended.

Contact your approved dealer as soon as possible.

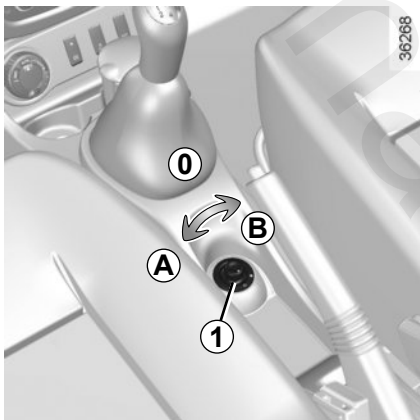


The passenger air bag must be activated or deactivated with the **ignition off**.

If handled when the ignition is on, the warning light  comes on.

Switch the ignition off then on again to reset the air bag in accordance with the lock position.

REAR VIEW MIRRORS



Door mirrors with electrical adjustment:

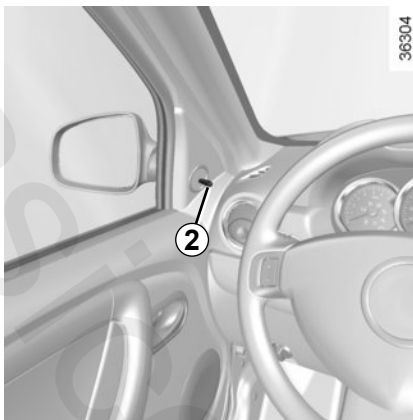
With the ignition on, move button **1**:

- position **A** to adjust the left-hand door mirror;
- position **B** to adjust the right-hand door mirror;

0 is the neutral centre position.

Heated door mirrors

With the engine running, de-icing is performed when the rear screen is de-iced/demisted; refer to the information in the paragraph on “Heated rear screen”.



Door mirrors with manual adjustment

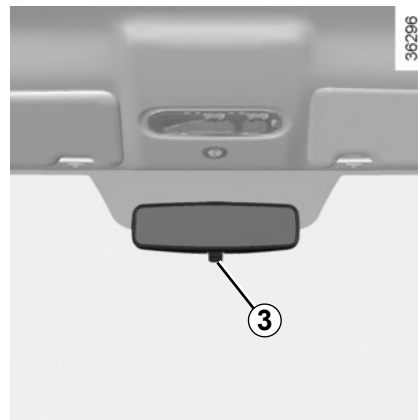
To adjust the door mirror, move switch **2**.

Folding door mirrors

Fold the door mirror manually against the door window.



For safety reasons, carry out any adjustments when the vehicle is not being driven.



Interior rear view mirror

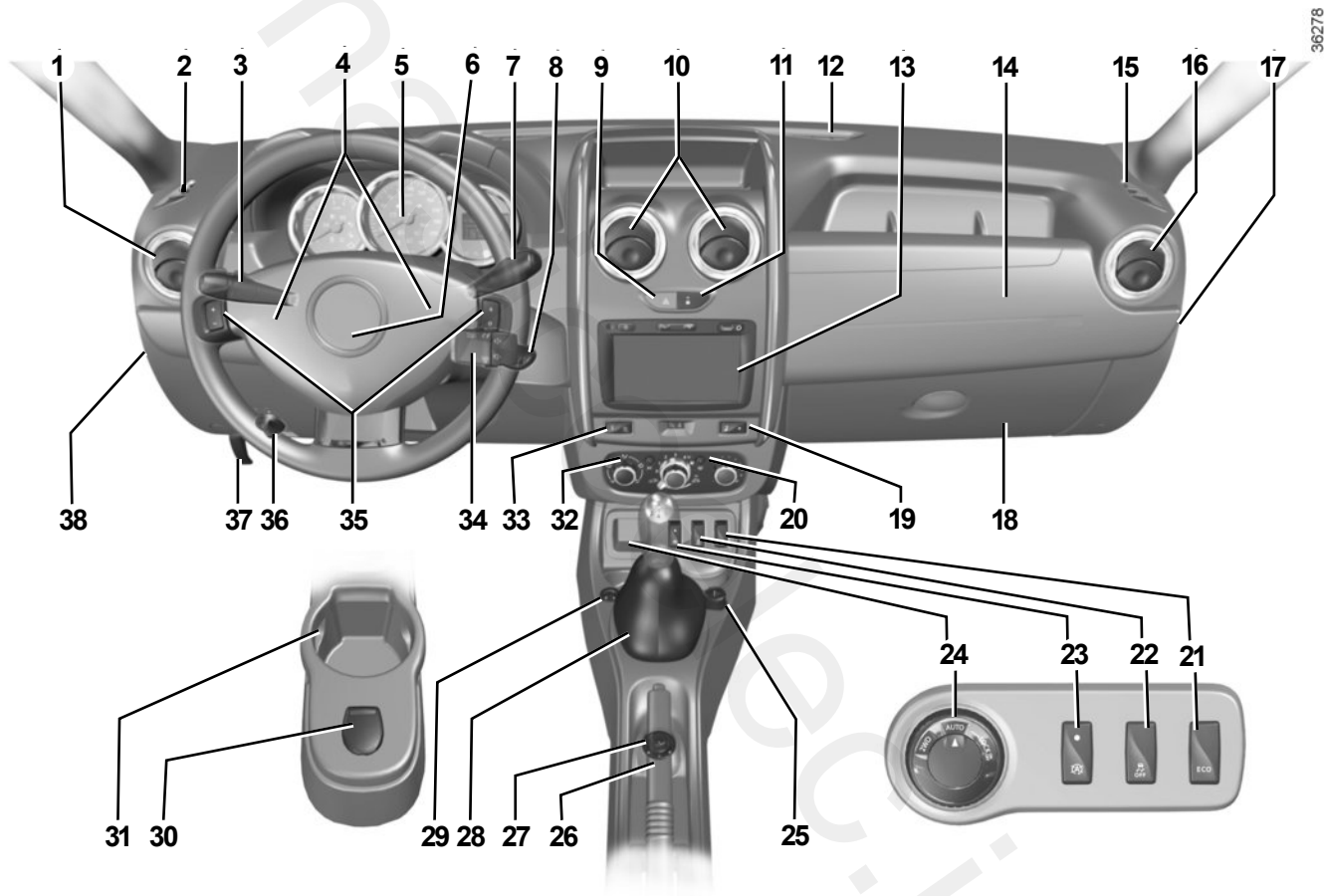
The interior rear-view mirror is adjustable. When driving at night, tilt lever **3** to avoid being dazzled by the headlights of the vehicle behind.



Objects observed in the door mirror glass are actually closer than they appear.

For your safety, take this into account in order to correctly assess the distance before any manoeuvre.

DRIVER'S POSITION, LEFT-HAND DRIVE (1/2)

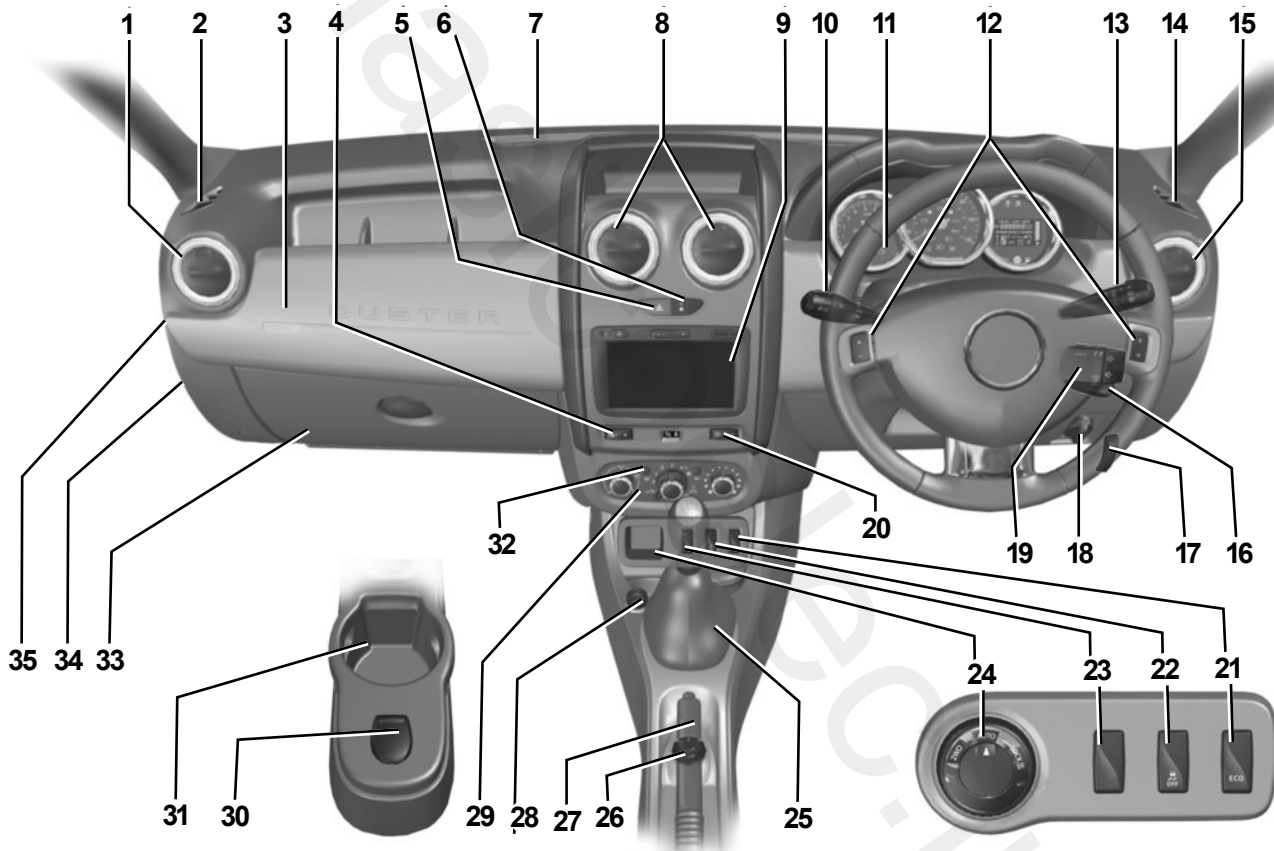


DRIVER'S POSITION, LEFT-HAND DRIVE (2/2)

The fittings described **DEPEND ON THE VEHICLE VERSION AND COUNTRY.**

- 1 Side air vent.
- 2 Side demister outlet.
- 3 Stalk for:
 - direction indicator lights,
 - exterior lights,
 - front fog lights,
 - rear fog light,
 - horn.
- 4 Audible warning
- 5 Instrument panel.
- 6 Location for driver's airbag.
- 7 – Steering column stalk for windscreen and rear screen wash/wiper.
 - On-board computer information readout control.
- 8 Ignition switch.
- 9 Hazard warning lights switch.
- 10 Centre air vents.
- 11 Electric central locking switch.
- 12 Central demister outlet.
- 13 Location for radio, navigation system or storage compartments.
- 14 Location for passenger airbag.
- 15 Side demister outlet.
- 16 Side air vent.
- 17 Passenger airbag activation/deactivation switch.
- 18 Glove compartment
- 19 Activation/deactivation control for the parking distance control.
- 20 Rear screen and door mirror de-icing control
- 21 ECO mode switch.
- 22 ESC control (4x4 (4WD) version).
- 23 Activation/deactivation controls for the **Stop and Start** function.
- 24 4x2 (2WD), 4x4 (4WD) mode selector or storage compartment.
- 25 Cigarette lighter or accessories socket.
- 26 Handbrake.
- 27 Door mirror adjustment control.
- 28 Gearstick.
- 29 LPG control
- 30 Accessories socket.
- 31 Bottle holders.
- 32 Heating and ventilation controls.
- 33 Cruise control/speed limiter main control.
- 34 Radio remote control.
- 35 Cruise control/speed limiter controls.
- 36 Beam height adjustment control.
- 37 Bonnet release control.
- 38 Fuse box.

DRIVING POSITION, RIGHT-HAND DRIVE (1/2)



DRIVING POSITION, RIGHT-HAND DRIVE (2/2)

The presence of the equipment **DEPENDS ON THE VEHICLE VERSION AND COUNTRY.**

- | | | |
|--|---|---|
| <p>1 Side air vent.</p> <p>2 Side demister outlet.</p> <p>3 Location for passenger airbag or storage compartment.</p> <p>4 Activation/deactivation control for the parking distance control.</p> <p>5 Hazard warning lights switch.</p> <p>6 Electric central locking switch.</p> <p>7 Central demister outlet.</p> <p>8 Centre air vents.</p> <p>9 Location for radio, navigation system or storage compartments.</p> <p>10 Stalk for:</p> <ul style="list-style-type: none">– direction indicator lights,– exterior lights,– front fog lights,– rear fog light,– horn. | <p>11 Instrument panel.</p> <p>12 Cruise control/speed limiter controls.</p> <p>13 – Steering column stalk for wind-screen and rear screen wash/wiper.
– On-board computer information readout control.</p> <p>14 Side demister outlet.</p> <p>15 Side air vent.</p> <p>16 Ignition switch.</p> <p>17 Bonnet release control.</p> <p>18 Beam height adjustment control.</p> <p>19 Radio remote control.</p> <p>20 Cruise control/speed limiter main control.</p> <p>21 ECO mode switch.</p> <p>22 ESC control.</p> <p>23 Not used.</p> <p>24 4x2 (2WD), 4x4 (4WD) mode selector or storage compartment.</p> | <p>25 Gearstick.</p> <p>26 Door mirror adjustment control.</p> <p>27 Handbrake.</p> <p>28 Cigarette lighter or accessories socket.</p> <p>29 Heating and ventilation controls.</p> <p>30 Accessories socket.</p> <p>31 Bottle holder</p> <p>32 Rear screen and door mirror de-icing control</p> <p>33 Glove compartment</p> <p>34 Fuse box.</p> <p>35 Passenger airbag activation/deactivation switch.</p> |
|--|---|---|

WARNING LIGHTS (1/7)

The presence and operation of the warning lights **DEPEND ON THE EQUIPMENT AND COUNTRY.**





Instrument panel A



If no lights or sounds are apparent, this indicates a fault in the instrument panel. This indicates that it is essential to stop immediately (as soon as traffic conditions allow). Ensure that the vehicle is correctly immobilised and contact an approved Dealer.



The red warning light  requires you to stop immediately, for your own safety, as soon as traffic conditions allow. Switch off the engine and do not restart it. Contact an Authorised Dealer.

If the orange warning light  comes on while you are driving, **drive carefully** to an authorised dealer as soon as possible. Failure to follow this recommendation risks damaging your vehicle.

These warning lights require you to stop immediately, for your own safety, as soon as traffic conditions allow. Switch off the engine and do not restart it. Contact an authorised dealer.



+



WARNING LIGHTS (2/7)

The presence and operation of the warning lights **DEPEND ON THE EQUIPMENT AND COUNTRY.**



Handbrake “on” warning light and brake circuit incident warning light

This comes on when the ignition is switched on. If it comes on during braking or driving and, depending on the vehicle, is accompanied by a beep, it indicates that the fluid level in the circuit is low; it may be dangerous to continue driving – please contact an authorised dealer.



Warning light malfunction (red or orange)

Urgent stop warning light (red)

This lights up when the ignition is switched on and goes out as soon as the engine is started. It lights up at the same time as other warning lights, and is accompanied by a beep.

It requires you to stop immediately, for your own safety, as soon as traffic conditions allow. Switch off the engine and do not restart it.

Contact an approved Dealer.

Warning light (orange)

This lights up when the ignition is switched on and goes out as soon as the engine is started. It may come on in conjunction with other warning lights on the instrument panel.

It means you should **drive very carefully** to an authorised dealer as soon as possible. If you fail to follow this recommendation, you risk damaging your vehicle.



Coolant temperature warning light

It goes out as soon as the engine starts.

If this remains lit while driving and, depending on the vehicle, is accompanied by a beep, this means the engine is overheating. Stop and allow the engine to run at idle speed for a minute or two. The temperature should drop. If not, stop the engine. Let it cool down before checking the coolant level. Contact an authorised dealer if necessary.

WARNING LIGHTS (3/7)

The presence and operation of the warning lights **DEPEND ON THE EQUIPMENT AND COUNTRY.**



Oil pressure warning light

This lights up when the ignition is switched on and goes out after a few seconds.

If it lights up on the road and, depending on the vehicle, is accompanied by a beep, stop immediately and cut the ignition.

Check the oil level (refer to “Engine oil level: general information” in Section 4). If the level is normal, the light has come on for another reason: Consult an authorised dealer straight away.



Preheating warning light (on diesel version)

This should come on when the ignition is switched on. It indicates that the heater plugs are in operation. It goes out after preheating is sufficient and the engine can be started.



Airbag warning light

This lights up when the ignition is switched on and goes out after a few seconds. If it does not light up when the ignition is switched on, if it lights up when the engine is running, or if it flashes, it indicates a fault in the system.

Contact an approved Dealer as soon as possible.



Battery charge warning light

It should go out as soon as the engine starts.

If it comes on when you are driving, it indicates that the circuit is overcharged or has discharged. Stop and consult an authorised dealer as soon as possible.



Anti-lock braking warning light

This lights up when the ignition is switched on and goes out after a few seconds.

If it does not go out after the ignition is switched on, or lights up when driving, there is a fault with the ABS. Braking will then be as normal, without the ABS system.

Contact an approved Dealer as soon as possible.



Low fuel level warning light

This comes on when the ignition is switched on and goes out after a few seconds. If it comes on when driving and, depending on the vehicle, is accompanied by a beep, fill up with fuel as soon as possible. There is only approximately 30 miles (50 km) worth of fuel left after the warning light first comes on.

WARNING LIGHTS (4/7)

The presence and operation of the warning lights **DEPEND ON THE EQUIPMENT AND COUNTRY.**



4WD LOCK 4-wheel drive mode indicator light

Refer to the information on “4WD Lock mode” in Section 2.

2WD 2-wheel drive mode indicator light

Refer to the information on “2WD mode” in Section 2.

Warning light for the electronic stability program (ESC) and traction control system

There are several reasons for the warning light to come on: see “Electronic Stability Program ESC with understeer control and traction control” in Section 2.

Door(s) open warning light

Refer to “Opening/closing the doors” in Section 1.

ECO Mode warning light ECO

This comes on when ECO mode ECO is activated.

Please refer to the information on “Driving advice, Eco-driving” in Section 2.

Cruise control warning lights

Refer to the information on “Cruise control” in Section 2.

Speed limiter warning light

Refer to the information on the “Speed limiter” in Section 2.

Water in the diesel filter warning light

This lights up when the ignition is switched on and goes out after a few seconds.

If it remains lit or comes on while driving, it indicates that water is present in the diesel.

Contact your approved Dealer as soon as possible.

Indicator light ESC

Refer to the information on “Driving correction devices and aids” in Section 2.

Door status warning light

This indicates the status of the doors (or tailgate).

WARNING LIGHTS (5/7)

The presence and operation of the warning lights **DEPEND ON THE EQUIPMENT AND COUNTRY.**



Direction indicator tell-tale light



Engine immobiliser system warning light

This light performs several functions. Refer to the information on the “Engine immobiliser” in Section 1.



Main beam headlight tell-tale light



Dipped beam headlight tell-tale



Front fog light tell-tale light



Rear fog light tell-tale



Left-hand direction indicator tell-tale



Right-hand direction indicator tell-tale



Gear change indicator

This lights up to advise you to change to a higher gear (up arrow) or lower gear (down arrow).



Excess speed warning light

A beep will sound and the warning light will come on if the vehicle exceeds 70 mph (120 km/h).



Engine oil change warning light

This lights up on the instrument panel when an oil change is required. Change the oil or have it changed as soon as possible.

Only the distance travelled between two oil changes is taken into account; the time interval between two oil changes is not.

The oil should always be changed when the first threshold is reached, i.e. either the distance travelled or the interval specified in your vehicle's maintenance document. This means you may have to change the oil before the warning light comes on.

Refer to the information on the “Oil change” in Section 4.



Rear screen de-icing/de-misting indicator light

WARNING LIGHTS (6/7)

The presence and operation of the warning lights **DEPEND ON THE EQUIPMENT AND COUNTRY.**



Electronic fault or diesel preheating warning light

With the ignition switched on, this light comes on; it indicates that the heater plugs are operating.

It goes out after preheating is sufficient and the engine can be started.

If it remains lit or comes on when you are driving, it indicates an electrical or electronic fault. Contact an approved dealer as soon as possible.



STOP light

This lights up when the ignition is switched on and goes out as soon as the engine is started. It lights up at the same time as other warning lights, and is accompanied by a beep.

It requires you to stop immediately, for your own safety, as soon as traffic conditions allow.

Switch off the engine and do not restart it.

Consult an approved dealer.



Warning light for monitoring exhaust gas

It comes on when the ignition is switched on and then goes out.

- If it lights up continuously, consult an authorised dealer as soon as possible;
- If it flashes, reduce the engine speed until the light stops flashing. Contact your approved Dealer as soon as possible.

Please refer to the information on “Maintenance and anti-pollution advice” in Section 2.



Indicator light ESC

See “Electronic Stability Program ESC with understeer control and traction control” in Section 2.



Tyre pressure loss warning

Please refer to the information on the “Tyre pressure loss warning” in Section 2.



Engine standby warning light

Please see information in the paragraph on “Stop and Start Function” in Section 2.



Unavailability of engine standby warning light

Please see information in the paragraph on “Stop and Start Function” in Section 2.



Not used.



Not used.

WARNING LIGHTS (7/7)

The presence and operation of the warning lights **DEPEND ON THE EQUIPMENT AND COUNTRY.**



Warning lights on console **B**



Front passenger air bag deactivation warning light.

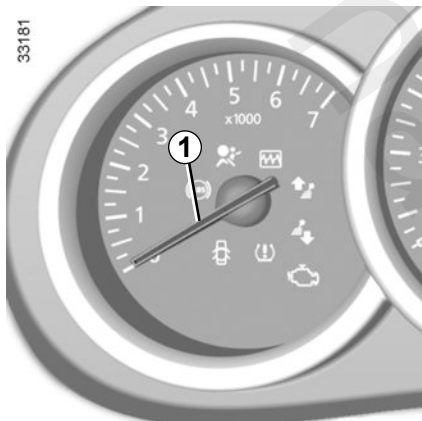
Refer to the information on “Child safety: deactivating, activating the front passenger airbag”.



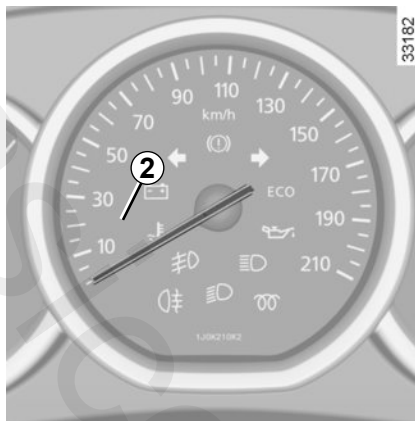
Seat belt reminder light

It comes on when the engine is started if the driver and/or passenger seat belt is not fastened (depending on the vehicle). When the vehicle is being driven, it comes on and a beep sounds for approximately 2 minutes until the driver's seat belt is fastened.

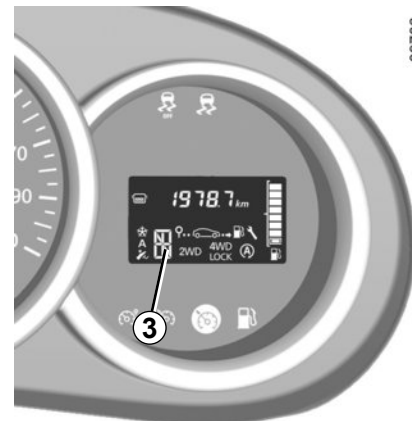
DISPLAY AND INDICATORS (1/2)



Rev counter 1 (rpm x 1,000)



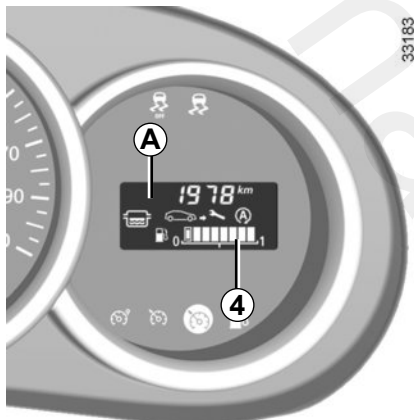
Speedometer 2 (kph or mph)



Automatic gearbox display 3

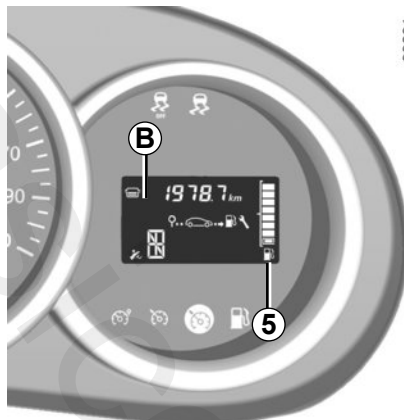
This indicates the gear engaged. Refer to information on the “Automatic gearbox” in Section 2.

DISPLAY AND INDICATORS (2/2)



Fuel gauge warning light 4 or 5

The number of squares lit shows the fuel level. When it is at minimum, the squares disappear and the low fuel level warning light comes on, depending on the vehicle.



Trip computer and warning system A or B

Refer to the information on the “Trip computer and warning system” in Section 1.

In **4x4 (4WD)** mode on rough terrain, there is a risk that incorrect information on the fuel level may be displayed. Wait until you are on flat ground again for a stable reading of the oil level indicators.

ON-BOARD COMPUTER (1/6)

The display of information shown below **DEPENDS ON THE VEHICLE EQUIPMENT AND COUNTRY.**



Trip computer and warning system 1

Display selection key 2

Press button **2** to repeatedly to scroll through the following information:

- a) Total mileage recorder
- b) Trip mileage recorder
- c) Fuel consumed
- d) Average fuel consumption
- e) Current fuel consumption

- f) Estimated range
- g) Distance travelled
- h) Average speed
- i) Oil change interval
- j) Reset the tyre pressure
- k) speed limiter.
- l) Time
- m) Outside temperature information.

Refer to the table on the following pages showing display examples.

Resetting the trip mileage

To reset the trip mileage recorder, the display must show the Trip mileometer function.

Press and hold button **2**.

ON-BOARD COMPUTER (2/6)

The display of information shown below **DEPENDS ON THE VEHICLE EQUIPMENT AND COUNTRY.**

Interpreting some of the values displayed after resetting

The values showing average fuel consumption, range and average speed will become more stable and reliable the further you travel after pressing the reset button.

For the first few miles after pressing the reset key you will notice that the range increases as you travel. This range takes into account the average fuel consumption since the last time the reset button was pressed. Therefore, the fuel consumption may decrease when:

- the vehicle stops accelerating,
- the engine reaches its operating temperature (engine cold when reset button pressed),
- when driving from a built-up area onto the open road.

Therefore, if the average fuel consumption decreases, the range will increase.

- You may also notice that the average fuel consumption increases when the vehicle is stationary and the engine idling.







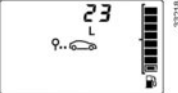

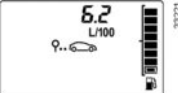

This is normal, since the computer takes account of fuel used during idling.

Manually resetting the journey parameters: with the display showing one of the journey parameters, press the button **2** until the display is reset.

Automatically resetting the journey parameters: the reset is automatic when the capacity of one of the memories is exceeded.

ON-BOARD COMPUTER (3/6)

The display of information shown below **DEPENDS ON THE VEHICLE EQUIPMENT AND COUNTRY.**

Examples of display selections by repeatedly pressing 2		Interpreting the display selected
Display A	Display B	
		 a) Total mileage recorder.
		 b) Trip mileage recorder.
	<p style="text-align: center;">—</p>	 c) Fuel used since the last time the reset button was pressed.
	<p style="text-align: center;">—</p>	 d) Average fuel consumption since the last time the reset button was pressed. This value is displayed after driving 400 metres and takes into account the distance travelled and the fuel used since the last time the reset button was pressed.


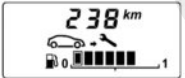


ON-BOARD COMPUTER (4/6)

The display of information shown below **DEPENDS ON THE VEHICLE EQUIPMENT AND COUNTRY.**

Examples of display selections by repeatedly pressing 2		Interpreting the display selected
Display A	Display B	
	—	→ e) Current fuel consumption. This value is displayed after a speed of approximately 20 mph (30 km/h) is reached.
	—	→ f) Estimated range with remaining fuel. This range takes into account the average fuel consumption since the last time the reset button was pressed. The value is displayed after driving around 400 metres.
	—	→ g) Distance travelled since the last time the reset button was pressed.
	—	→ h) Average speed since the last reset. The value is displayed after driving around 400 metres.









ON-BOARD COMPUTER (5/6)

The display of information shown below **DEPENDS ON THE VEHICLE EQUIPMENT AND COUNTRY.**

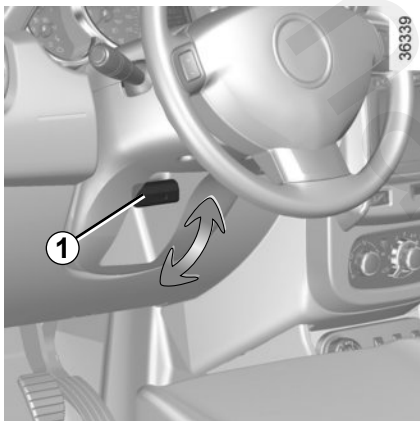
Examples of display selections by repeatedly pressing 2		Interpreting the display selected
Display A	Display B	
		<p>➔ j) Mileage before service Distance remaining until the next oil change.</p> <p>There are several scenarios:</p> <ul style="list-style-type: none">– mileage before oil change service less than 1000 miles. Warning light  on the instrument panel comes on accompanied by the message “1000 miles”.– mileage before oil change service 0 miles. Warning light  on the instrument panel comes on accompanied by the message “--- miles”. <p>The distance appears on the display for approximately 8 seconds when the ignition is switched on as soon as the distance is less than or equal to 1000 miles.</p> <p>The vehicle requires an oil change as soon as possible.</p>
<p>Note: depending on the vehicle, the mileage before an oil change varies according to the driving style (frequent driving at low speed, door-to-door journeys, extensive use at idle speed, towing a trailer etc.). The distance remaining until the next oil change can therefore decrease more quickly in some cases than the actual distance travelled.</p> <p>The oil change intervals are independent of the vehicle’s maintenance schedule: please refer to your vehicle’s maintenance document.</p> <p>Resetting: to reset the mileage before an oil change, press and hold the display reset button for approximately 10 seconds until the display shows the range permanently.</p>		

ON-BOARD COMPUTER (6/6)

The display of information shown below **DEPENDS ON THE VEHICLE EQUIPMENT AND COUNTRY.**

Examples of display selections by repeatedly pressing 2		Interpreting the display selected
Display A	Display B	
		➔ j) Tyre pressure reset. Please refer to the information on the “Tyre pressure loss warning” in Section 2.
		➔ k) Recommended cruise control and speed limiter speed (if activated). Refer to the information on the “Speed limiter” and “Cruise control” in Section 2.
		➔ l) Time.
		➔ m) Exterior temperature.

STEERING WHEEL, POWER-ASSISTED STEERING



Adjusting the steering wheel

Depending on the vehicle, the steering wheel position is adjustable.

Lift lever **1** and place the steering wheel in the required position; raise the lever to lock the steering wheel in place.

Make sure that the steering wheel is correctly locked.



For safety reasons, only adjust the steering wheel when the vehicle is stationary.

Power Assisted Steering

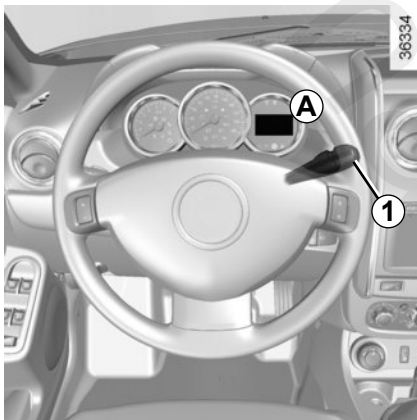
With the engine running, do not leave the steering wheel at full lock while stationary as this may damage the power-assisted steering pump.

With the engine switched off, or if there is a system fault, it is still possible to turn the steering wheel. The force required will be greater.



Never switch off the ignition when travelling downhill, and avoid doing so in normal driving (assistance is not provided).

CLOCK



Setting the time

Display A

Display the “Clock” display on the instrument panel by pressing the button **1**.



For your safety, we recommend that you do not adjust the clock while driving.

Press and hold button **1** to enter the hour setting mode.

When only the hours flash, press button **1** briefly, to scroll through them.

Press and hold button **1** to enter the minute setting mode.

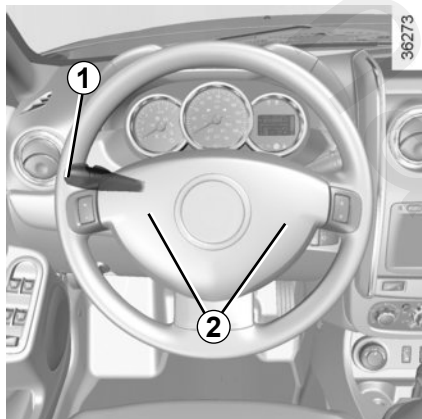
When only the minutes flash, press button **1** briefly, to scroll through them.

Confirm by pressing and holding button **1**.

If the electrical supply is cut (battery disconnected, broken supply wire, etc.), the clock will lose its time setting.

The clock must be reset.

AUDIBLE AND VISUAL SIGNALS



Horn

Press the end of the stalk **1**.

Depending on the vehicle, press on one of areas **2**.

Headlight flasher

Pull stalk **1** towards you to flash the headlights.



Direction indicators

Move stalk **1** parallel to the steering wheel and in the direction you are going to turn it.

One-touch mode

When driving, it is possible that the steering wheel may not be turned sufficiently to return the stalk automatically to its starting position.

In this case, briefly turn stalk **1** to the intermediate position, then release it: the stalk returns to its original point and the indicator light flashes three times.



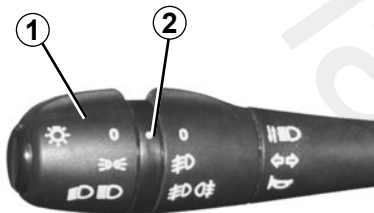
Hazard warning lights

Press switch **3**.

This switch activates all four direction indicators and the side indicator lights simultaneously.

It must only be used in an emergency to warn drivers of other vehicles that you have had to stop in an area where stopping is prohibited or unexpected, or that you are obliged to drive under special conditions.

EXTERIOR LIGHTING AND SIGNALS (1/2)



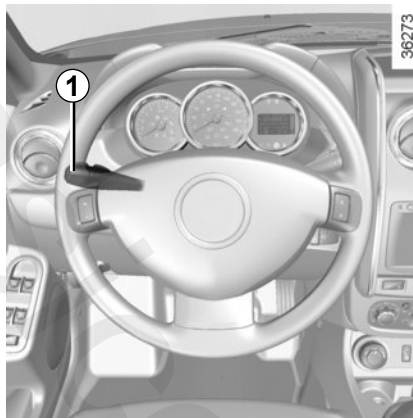
Side lights

Turn the end of stalk **1** until the symbol is opposite mark **2**.

Dipped beam headlights

Turn the end of stalk **1** until the symbol is opposite mark **2**.

An indicator light on the instrument panel will come on.




Main beam headlights

With the dipped beam headlights lit, push stalk **1**. This indicator light on the instrument panel comes on. To return to the dipped headlight position, pull the stalk **1** towards you again.

Switching off the lights

From the main beam headlights position, pull the stalk **1** towards you, then turn the end of the stalk **1**

until the  symbol appears by the mark **2**.

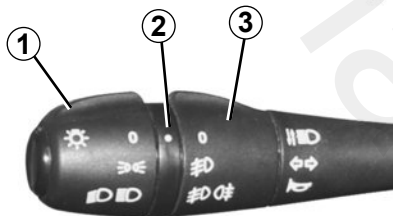
From the dipped beam headlights position, turn the end of the stalk **1** until the

 symbol appears by the mark **2**.



Before driving at night, check that the electrical equipment is operating correctly and adjust the headlight beams (if your vehicle is not carrying its normal load). As a general precaution, check that the lights are not obscured (by dirt, mud, snow or objects being transported).

EXTERIOR LIGHTING AND SIGNALS (2/2)



Daytime running lights function

(front lights only)

The daytime running lights come on automatically with no action on stalk **1** when the engine is started, and they go off once the engine is switched off. They are deactivated when the main beams, dipped beams or side lights are lit.

Lights-on warning buzzer

If the lights are on, a warning beep sounds when the driver's door is opened to warn you that the lights are still on.

Front fog lights

Turn the centre ring **3** of the stalk until the symbol is opposite mark **2**.

The fog lights only light up if the exterior lights have been switched on. An indicator light on the instrument panel then lights up.

Do not forget to switch off the fog lights when they are no longer needed, to avoid inconveniencing other road users.

Rear fog lights

Turn the centre ring **3** on the stalk until the symbol faces mark **2**.

The fog lights only light up if the exterior lights have been switched on. An indicator light on the instrument panel then lights up.

Remember to switch off these lights when they are no longer required to avoid inconveniencing other road users.

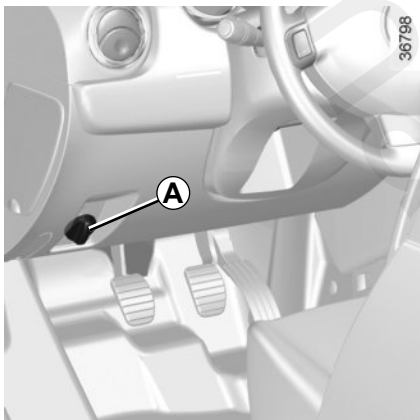
Turning off the fog lights

Turn the centre ring **3** of the stalk until the symbol is opposite mark **2**.

The corresponding indicator light goes out on the instrument panel.

The front and rear fog lights switch off when the exterior lights are switched off.

ADJUSTING THE HEADLIGHT BEAM HEIGHT (1/2)

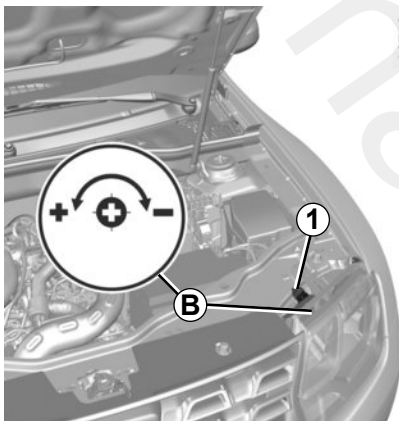


The control **A** is used to adjust the height of the headlight beams according to the load.

Turn control **A** anticlockwise to lower the beams and clockwise to raise them.

Examples of positions for adjusting control A according to the load		
	Control A	
	4x2	4x4
Driver alone or with front passenger	0	0
Driver with one front passenger and three rear passengers	1	1
Driver with one front passenger, three rear passengers and luggage	3	2
Driver only and luggage	4	3

ADJUSTING THE HEADLIGHT BEAM HEIGHT (2/2)



Temporary adjustment

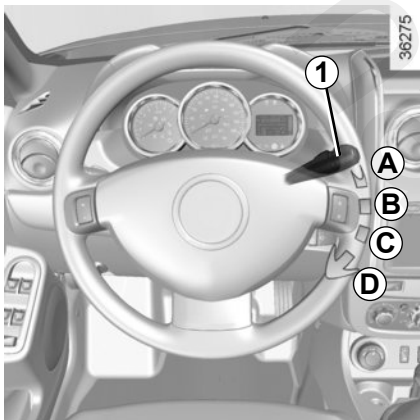
Open the bonnet and identify the marking **B** next to one of the front headlight projectors.

For each headlight, using a screwdriver, turn the screw **1** by a quarter turn towards the - symbol to lower the beams.

Return to the starting point once your trip is over: turn the screw **1** by a quarter turn towards the + symbol to raise the beams.

When driving on the left in a left-hand drive vehicle (or vice versa), you must adjust your lights temporarily during your stay.

WINDSCREEN WASH, WIPE (1/2)



Windscreen wiper

With the ignition on, move stalk **1** around the steering wheel:

- A** Park.
- B** Intermittent wiping.
The wipers will pause for several seconds between sweeps.
- C** Normal wiping speed.
- D** Fast wiping speed.



Windscreen wiper

With the ignition on, pull stalk **1** towards you.

A brief pull will trigger a single sweep of the wipers, in addition to the windscreen washer.

A longer pull will trigger three sweeps of the wipers, in addition to the windscreen washer.



When working in the engine compartment, ensure that the windscreen wiper stalk is in position **A** (park). Risk of injury.



Before touching the windscreen (washing the vehicle, de-icing, cleaning the windscreen, etc.) move stalk **1** to position **A** (park). Risk of injury and/or damage.

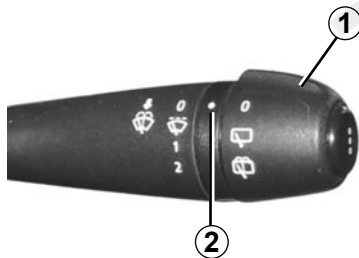
In frosty weather, make sure that the wiper blades are not stuck by ice (risk of motor overheating).

Keep an eye on the condition of the blades. They should be replaced as soon as they become less efficient. This will occur approximately once a year. Clean your windscreen regularly.

If you switch off the ignition before switching off the windscreen wiper (position **A**) the blades will stop at random on the windscreen.

After switching the ignition back on, simply move stalk **1** to position **A** to place them in the park position.

WINDSCREEN WASH, WIPE (2/2)



Rear screen wiper

With the ignition on, turn the end of stalk **1** to align the symbol with mark **2**.



Rear screen washer/ wiper

With the ignition on, turn the end of stalk **1** to align the symbol with mark **2**.

When the stalk is released, it returns to the rear wipe position.

Before using the rear wiper, check that no object is obstructing the travel of the blade.

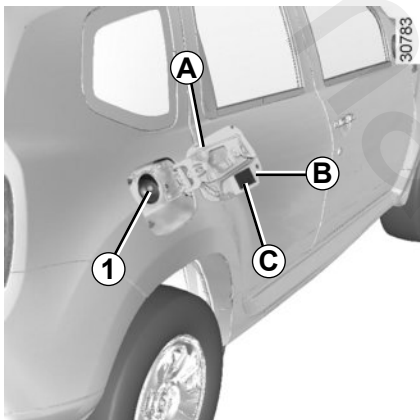
In frosty weather, make sure that the wiper blades are not stuck by ice (to avoid the risk of the motor overheating).

Keep an eye on the condition of the blades. They should be replaced as soon as they become less efficient. This will occur approximately once a year. Clean your windscreen regularly.



Before touching the windscreen (washing the vehicle, de-icing, cleaning the windscreen, etc.) move stalk **1** to position **A** (park). Risk of injury and/or damage.

FUEL TANK (1/6)

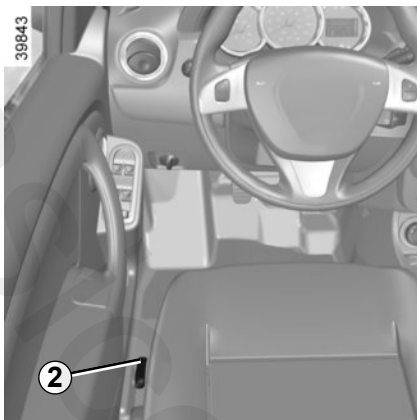


Petrol and diesel versions

Usable capacity of the fuel tank:
50 litres approximately.

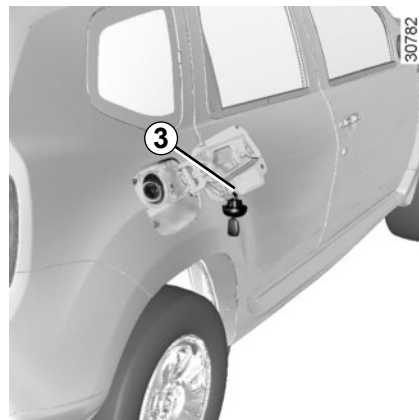
Depending on the vehicle, to open the fuel filler flap **A**, place your finger in opening **B** and pull.

To close, push the fuel filler flap **A** by hand as far as it will go. Depending on the vehicle, the cap **1** is unlocked using the ignition key. If not, it will be connected to the vehicle by a strip of plastic. For details on filling the fuel tank, please refer to the information on "Filling with fuel".



There is a cap holder **3** on the fuel filler flap for holding the cap when the tank is being filled.

Depending on the vehicle, lift lever **2** to unlock the fuel filler flap **A**. Open it, then unscrew fuel filler cap **1**.



Fuel filler cap: this is specific to the vehicle type. If

you have to replace it, make sure the new cap is of the same type. Contact an approved dealer.

Never place the cap near a source of heat or flame.

Do not wash the filler area with a high-pressure washer.

FUEL TANK (2/6)

Fuel grade

Always use a high-grade fuel that complies with the legislation in force in each country. It must conform to the specifications given on label **C** inside the fuel filler flap.

Refer to the “Engine specifications” table in Section 6.

Petrol version

It is essential to use unleaded petrol. The octane rating (RON) must conform to the specifications given on the label inside fuel filler flap **C**.

Diesel versions

It is essential to use diesel fuel that conforms to the specifications given on the label inside fuel flap **C**.

Vehicles running on ethanol-based fuel

Always use unleaded petrol or fuel containing a maximum of 85 percent ethanol (E85).

In very cold conditions, it may be very difficult or even impossible to start the engine.

Note: you may notice an increase in fuel consumption with this type of fuel.

When the fuel is changed the engine must adjust, which may cause minor inconveniences for a few minutes (longer starting times, cutting out, etc.).



Do not mix even small amounts of petrol (unleaded or E85) with diesel.

Do not use ethanol-based fuel if your vehicle is not compatible with this fuel.

Do not add additive to the fuel otherwise you risk damaging the engine.

FUEL TANK (3/6)

Filling with fuel

Insert the nozzle to open the valve and insert it **fully** before turning it on to fill the fuel tank (risk of splashing).

Keep the nozzle in this position throughout the entire filling operation. When the pump cuts out automatically at the end of the filling procedure, a maximum of two further filling attempts may be made, as there must be sufficient space in the fuel tank to allow for expansion.

Make sure that no water enters the fuel tank during filling. The valve and its surround must remain clean.

Vehicle fitted with the Stop and Start function

To fill up with fuel, the engine must be stopped (and not on standby): stop the engine (please refer to the information on “Starting and stopping the engine” in Section 2).

Petrol versions

Using leaded petrol will damage the antipollution system and may lead to a loss of warranty.

To ensure that the fuel tank is not filled with leaded petrol, the fuel tank filler neck contains a restrictor fitted with a foolproof system which **only allows the nozzle for unleaded petrol to be used** (at the pump).



Persistent fuel odour

If you notice a persistent smell of fuel you should:

- stop the vehicle when traffic conditions allow it and switch off the ignition;
- switch on the hazard warning lights and ask your passengers to leave the vehicle and stay clear of the traffic;
- contact an authorised dealer.

FUEL TANK (4/6)

LPG versions

Useful capacity of fuel tank: approx.
34 litres.

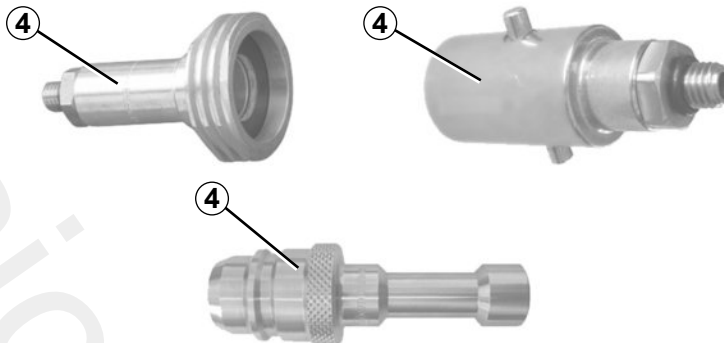
Filling up with LPG

Engage the handbrake, stop the engine, switch off the ignition and switch off the lights.

Always respect the safety instructions given at filling stations.
It is always advisable to completely fill the tank.

When the pump stops delivering LPG, or when the pump flow reduces significantly, the maximum LPG level has been reached.

At this point, do not attempt to carry on filling.



36115

Filling stations without self-service

If service station staff fill your vehicle with LPG, give them a filling adapter **4**, as supplied in a pouch in the glovebox.



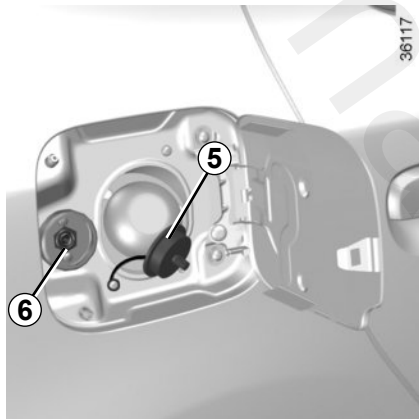
If you exceed the LPG tank capacity when filling completely, please go to an accredited garage or your authorised dealer to check the automatic filler device.

IMPORTANT:

The adapter **4** depends on the country in which the vehicle is sold.

Before travelling to another country, please consult an authorised dealer.

FUEL TANK (5/6)



Filling stations with self-service

We recommend that you wear gloves when handling the LPG pistol.

Open your vehicle's tank cover and unscrew the cap **5** from the end piece of the LPG filler **6**.

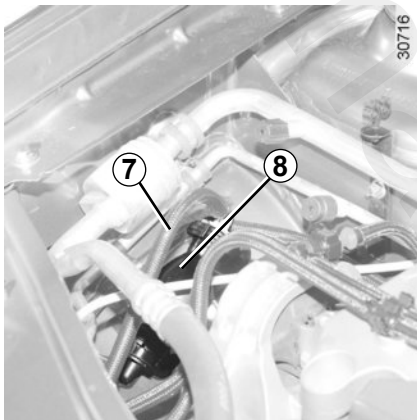
Carefully follow the information explaining how to refill using the LPG distributor.

When the pump finishes or if it has difficulties operating, this means that the maximum tank fill level (80%) has been reached.

The filling will stop as soon as you release the button. Release the stop lever (a small amount of gas may be released), lift the pistol and place it on the distributor.

Replace the cap **5** to avoid any water or foreign bodies from entering the system.

FUEL TANK (6/6)



Priming bulb

(diesel version)

After a breakdown caused by completely running out of fuel, the system must be reprimed before the engine is restarted:

Note: the bulb is always located on the right-hand side of the engine compartment.

Operate the priming bulb **8** until the fuel flows through the hose **7**.

If the engine does not start after several attempts, contact an approved dealer.



No modifications whatsoever are permitted on any part of the fuel supply system (computers, wiring, fuel circuit, injector, protection covers, etc.) as this may be dangerous (such work must be undertaken by qualified Network personnel).



The engine may be hot when working in close proximity. In addition, the engine cooling fan may come on at any moment.

Risk of injury.

Section 2: Driving

(Advice on use relating to fuel economy and the environment)

Running in, Ignition switch	2.2
Starting/stopping the engine	2.3
Stop and Start Function	2.7
Special features of petrol versions	2.10
Special features of diesel versions	2.11
Special features of LPG versions	2.12
Driving advice, eco-driving	2.15
Maintenance and antipollution advice	2.20
Environment	2.21
Tyre pressure loss warning	2.22
Gear lever, Handbrake	2.29
Transmission: 4-wheel drive (4WD)	2.30
Driver correction devices/aids	2.34
Speed limiter	2.38
Cruise control	2.41
Automatic gearbox	2.45
Parking distance control	2.49
Reversing camera	2.51

RUNNING IN, IGNITION SWITCH

Petrol version

For the first **600 miles (1,000 km)**, do not exceed 78 mph (130 km/h) in the highest gear, or 3,000 to 3,500 rpm.

You may only expect top performance from your vehicle after approximately **1,800 miles (3,000 km)**.

Service intervals: refer to the Maintenance Document for the vehicle.

Diesel version

For the first **1,000 miles (1,500 km)**, do not exceed 80 mph (130 km/h) in the highest gear, or 2,500 rpm. After completing this mileage you may drive faster, although you may only expect top performance after approximately 3,600 miles (6,000 km).

During the running in period, do not accelerate hard while the engine is still cold and do not let the engine over-rev.

Service intervals: refer to the Maintenance Document for your vehicle.



Stop and steering lock position St

To lock: remove the key and turn the steering wheel until the steering column locks.

To unlock: turn the key and the steering wheel slightly.

Accessories position A

When the ignition is switched off, any accessories (radio, etc.) will continue to function.

Ignition on position M

The ignition is switched on:

- **petrol version:** the engine may be started.
- **diesel version:** the engine is pre-heating.

Start position D

If the engine fails to start at the first attempt, turn the key back before activating the starter again.

Release the key as soon as the engine starts.

Special note on vehicles with an automatic gearbox

Refer to the information on the “Automatic gearbox” in Section 2.

STARTING, STOPPING THE ENGINE (1/4)

Starting the engine

In very cold conditions (temperatures below -20°C): so that it is easier to start the engine, switch on the ignition for several seconds **before** starting the engine.

When starting the engine, if the outdoor temperature is very low (below -10°C): hold down the clutch pedal until the engine starts.

Make sure the engine immobiliser is not activated. Refer to the information on the “Engine immobiliser” in Section 1.

Petrol injection

- Turn the key to the start position **without depressing the accelerator**.
- Release the key as soon as the engine starts.



Diesel injection

Turn the ignition key to ignition “On” position **M**, and hold this position until the preheating warning light goes out.

Turn the key to starter position **D** **without depressing the accelerator pedal**.

Release the key as soon as the engine starts.

LPG versions

The engine is always started using petrol:

- activate the starter without accelerating;
- release the key as soon as the engine starts.

The system will automatically determine the switchover from petrol to LPG.

When operating on LPG, the fuel gauge may indicate a drop in the petrol level and the on-board computer will not operate.

Under certain winter conditions the system may delay or disable operation with LPG.

After stopping the engine, if the environmental conditions are once again suitable, the system may once again permit LPG mode.

At temperatures close to 0°C or less, it is recommended to use ECO mode to maximise the use of LPG. Please refer to the information on “Driving advice, Eco-driving” in Section 2.

To enable the system to operate smoothly and to prevent any wear to the vehicle’s electric petrol pump, the petrol tank should always be around 1/4 full.

STARTING, STOPPING THE ENGINE (2/4)

vehicles with an automatic gearbox

Before starting, move the lever to position P.

Refer to the information on the “Automatic gearbox” in Section 2.

Stopping the engine

With the engine idling, turn the key back to “Stop” position **St**.

Special note

Depending on the vehicle, accessories (e.g. radio) stop working either when the engine is switched off or when the driver’s door is opened or when the doors are locked.



Do not park the vehicle or run the engine in locations where combustible substances or materials such as grass or leaves can come into contact with a hot exhaust system.



Driver’s responsibility

Never leave an animal, child or adult who is not self-sufficient alone on your vehicle, even for a short time.

They may pose a risk to themselves or to others by starting the engine, activating equipment such as the electric windows or locking the doors, for example.

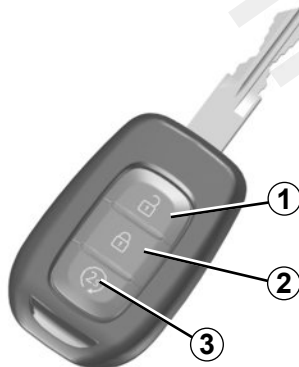
Also, in hot and/or sunny weather, please remember that the temperature inside the passenger compartment increases very quickly.

Never switch off the ignition before the vehicle has stopped completely. Switching off the engine disables the assistance equipment: brakes, steering, etc., and additional seatbelt devices. The steering is locked when the key is removed.

RISK OF DEATH OR SERIOUS INJURY.

STARTING, STOPPING THE ENGINE (3/4)

39814



Remote engine start-up

Activation

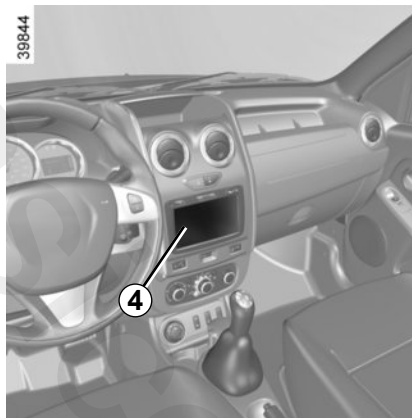
If the vehicle is so equipped, press the unlocking button **1** briefly, then press the remote start button **3** twice for about 3 seconds each time.

Operation

This function allows remote starting of the engine.

To do this, press the locking button **2**, followed by the remote start button **3** for about 3 seconds.

39844



This function also lets you programme the engine to start, in order to heat or ventilate the passenger compartment up to 24 hours before using the vehicle.

The configuration and the programming are done using the multimedia display **4**, : refer to the multimedia instructions for your vehicle.

The remote engine start-up operates if:

- the lever is in neutral for vehicles with a manual or sequential gearbox;
- the lever is in position **P** for vehicles with an automatic gearbox;
- the ignition is off and no key is inserted into the ignition switch;
- the bonnet is closed;
- all of the opening elements (doors and luggage compartment) are closed and locked when you leave the vehicle.

Special note for vehicles fitted with the “Wake up every 2 hours” function.

In the event of use of the function two days in succession, you must drive at least 10 minutes between the two uses. Risk of engine oil wear.

Please see your vehicle’s multimedia instructions.

STARTING, STOPPING THE ENGINE (4/4)



Do not use the engine remote start-up function or its programming when:

- the vehicle is in a garage or in a confined space.

Risk of poisoning or suffocation by exhaust gas emissions.

- the vehicle is covered with a protective cover.

Fire hazard.

- the bonnet is open or before it opens.

Risk of burns or serious injury.

Depending on the country, the use of the remote starting function or its programming can be prohibited by the legislation and/or the regulations in force.

Before using this function, check the legislation and/or the regulations for the country in force.

STOP AND START function (1/3)

This system enables a reduced fuel consumption and lower greenhouse gas emissions.

The system is activated automatically when the vehicle is started.

While driving, the system stops the engine (standby) when the vehicle is at a standstill (traffic jam, traffic lights, etc).

Conditions for engine standby

The vehicle has set off from where it was parked;


For automatic or sequential gearbox:

- The gearbox is in position D, M or N; and
- the brake pedal is depressed (sufficiently hard); and
- the accelerator pedal is not depressed; and
- the vehicle's speed is zero for around one second.

The engine remains on standby if position P is selected, or if position N is selected with the handbrake engaged and the brake pedal released.


For manual gearboxes:

- the gearbox is in neutral; and
- the clutch pedal is released.

If the  warning light flashes, this means that the clutch pedal is not sufficiently released;

and

- the vehicle speed is less than approximately 7 mph (3 km/h).

In all vehicles, the  warning light appears on the instrument panel to warn you when the engine is on standby.

The vehicle equipment remain operational while the engine is stopped.


If the engine stalls while the system is in operation, pressing the clutch pedal right down will start it again.

If you get out of the vehicle, a beep notifies you that the engine is on standby and has not been switched off.



The ignition must be switched off before leaving the vehicle (please see section on “Starting, stopping the engine”).



Keep your vehicle stationary when the engine is on standby (shown by the warning light  on the instrument panel).



Engine on standby - braking assistance is no longer operational.

STOP AND START function (2/3)

Preventing the engine from standing by

In certain situations, when negotiating a junction for instance, it is possible to keep the engine running so as to be ready to move off quickly.

Automatic or sequential gearbox

Keep the vehicle stationary without pressing too hard on the brake pedal.

Manual gearbox

Keep the clutch pedal pressed right down.

To fill up with fuel, the engine must be stopped (and not on standby): always stop the engine (please see "Starting, stopping the engine").

Conditions for coming out of engine standby

For automatic or sequential gearbox:

- The brake pedal is released, position D or M engaged or,
- the brake pedal is released with the gear lever in position N and the handbrake off, or
- the brake pedal is pressed again, with position N engaged and the handbrake applied, or
- position R is engaged, or
- the accelerator pedal is pressed.

For manual gearboxes:

- The gearbox is in neutral and the clutch pedal is slightly depressed, or
- the engine is in gear and the clutch pedal is pressed right down.




Deactivate the Stop and Start function for any operation performed in the engine compartment.

Conditions preventing the standby of the engine

Certain conditions prevent the system from using the engine standby function, including when:

- reverse gear is engaged;
- the bonnet is not locked;
- the outdoor temperature is too low or too high (less than around 0 °C or higher than around 30 °C);
- the battery is not sufficiently charged;
- if available, the vehicle is in "4WD Lock" mode (please see the section "Transmission: 4-wheel drive (4WD)" in Section 2);
- for vehicles with an automatic or sequential gearbox, the gradient is steeper than approximately 12%;
- the engine temperature is too low;
- the anti-pollution system is required;
- or
- ...

The warning light  lights up on the instrument panel to alert you that engine standby is not available.

STOP AND START function (3/3)

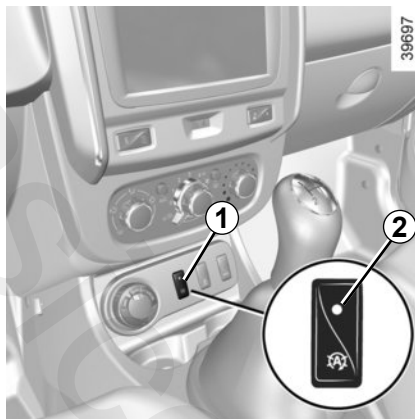
Special feature of the automatic engine re-start

Under certain conditions, the engine can restart on its own in order to guarantee your safety and comfort.

This can occur especially when:

- The outdoor temperature is too low or too high (less than around 0°C or higher than around 30°C);
- the battery is not sufficiently charged;
- the vehicle speed is above 3 mph (5 km/h) (downhill slope, etc.);
- repeated pressing on the brake pedal or braking system requirement;
- ...

Special note: for some of these conditions the automatic restarting of the engine is inhibited if a front door is open.



Deactivating, activating the function

Press switch **1** to deactivate the function. Warning light **2** in the switch lights up.

Pressing again will reactivate the system. Warning light **2** in switch **1** goes out.

Special note: with the engine on standby, press switch **1** to restart the engine.

The system is automatically reactivated each time the vehicle is started (see “Starting, stopping the engine” in Section 2).

Operating faults

When the warning light **2** built in to switch **1** is lit, the system is deactivated.

Please consult an authorised dealer.



Before getting out of the vehicle, you must switch off the ignition (please see section on “Starting, stopping the engine”).

SPECIAL FEATURES OF PETROL VERSIONS

The following operating conditions:

- driving for long periods when the low fuel level warning light is lit;
- using leaded petrol;
- using oil or fuel additives which are not approved by the manufacturer.

Or operating faults such as:

- faulty ignition system, running out of fuel or disconnected spark plugs resulting in the engine misfiring or cutting out when driving;
- loss of power,

may cause the catalytic converter to overheat, reducing its efficiency **which may irreparably damage it and cause heat damage to the vehicle.**

If you notice any of the above operating faults, have the necessary repairs carried out as soon as possible by an approved Dealer.

These faults may be avoided by regularly taking your vehicle to your approved dealer at the intervals specified in your Maintenance Service Document.

Starting problems

To avoid damaging the catalytic converter, **do not** keep trying to start the engine (using the start button, or by pushing or towing the vehicle) **without having identified and corrected the starting fault.**

If the fault cannot be identified, do not continue to try and start the engine, but contact an approved dealer.





Do not park the vehicle or run the engine in locations where combustible substances or materials such as grass or leaves can come into contact with a hot exhaust system.

SPECIAL FEATURES OF DIESEL VERSIONS

Diesel engine speed

Diesel engines are fitted with an injection pump **which prevents the engine speed being exceeded** irrespective of the gear selected.

If the  and  warning lights come on, consult an approved dealer as soon as possible.

When driving, depending on the fuel grade used, it is possible that white smoke may be emitted.

This is due to the exhaust particle filter being cleaned automatically, and does not affect the way the vehicle runs.

Running out of fuel

If the **tank has been completely drained**, the system must be reprimed after the tank is refilled: see information on the “Fuel tank” in Section 1 before restarting the engine.

Precautions to be taken in winter

To avoid any faults in icy weather:

- ensure that the battery is always fully charged;
- always keep the diesel tank relatively full to avoid water vapour condensing in it and accumulating at the bottom of the tank.



Do not park the vehicle or run the engine in locations where combustible substances or materials such as grass or leaves can come into contact with a hot exhaust system.

SPECIAL FEATURES OF LPG VERSIONS (1/3)

LPG vehicles

These vehicles operate using petrol or LPG.
They have two separate tanks.

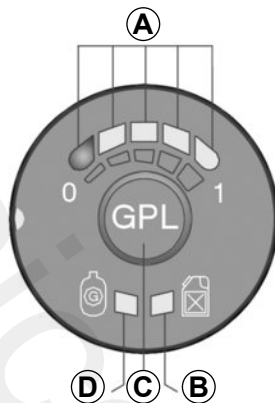
What is LPG?

LPG stands for Liquefied Petroleum Gas.
It can be readily identified by its characteristic smell.



An LPG installation on a vehicle may lead to changes to the vehicle's features, compared to petrol versions. This may relate to the number of seats, mass (usable capacity) and towing capacity.

Contact an authorised dealer.



36083

LPG/petrol fuel mode selection control C

This enables the driver to switch from one fuel to another.

Green warning light D

A lit warning light indicates that LPG mode is active.

Rapid flashing of the warning light **D** indicates that the system is waiting for the necessary conditions to switch to LPG mode.

Yellow warning light B

A lit warning light indicates that petrol mode is active.

Fuel gauge warning light A

The warning lights **A** (4 green lights and 1 red light) indicate the level in the LPG tank.

The red warning light indicates the fuel tank.

The amount of LPG indicated is an indicative value.

The red warning light indicates that the tank is almost empty and that the engine is operating using the fuel tank (approximately 11 to 13 litres).



If the yellow warning light is on while the green warning light flashes slowly and a beep is heard, please take your vehicle to an authorised dealer for inspection.

SPECIAL FEATURES OF LPG VERSIONS (2/3)

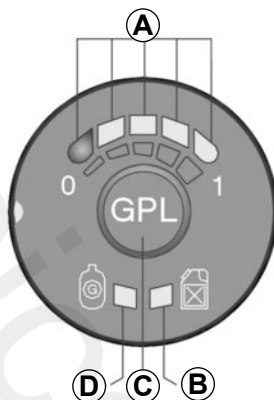


Changing fuel while driving

To switch from petrol to LPG

Press control **C**. The vehicle will switch to LPG the next time the accelerator pedal is pressed.

The LPG fuel level **A** is activated. The yellow warning light **B** goes out and the green warning light **D** flashes quickly to confirm that LPG has been selected, then stops flashing when LPG mode is active.



Pressing control **C** stops the beep from sounding and only the yellow warning light **B** stays on.

To switch from LPG to petrol.

Release the accelerator pedal and press the control **C**.

Petrol mode is indicated by the yellow warning light **B**.

Automatic switch to petrol

The system automatically switches to petrol mode if there is no more LPG remaining in the tank. You will be informed by:

- the green **D** and yellow **B** warning lights coming on;

- a beep sounds.

Pressing control **C** stops the beep from sounding and only the yellow warning light **B** stays on.

Depending on the vehicle, under certain conditions of use, the system may opt to temporarily switch back to petrol mode (the green warning light **D** flashes without any beep sounding, for example, during strong acceleration). Once the suitable conditions are present once again, it will automatically switch back to LPG mode. After several unsuccessful attempts, the system may decide to remain in petrol mode for the current driving session. A further attempt may be made after the engine has been at a complete stop for 1 minute.

SPECIAL FEATURES OF LPG VERSIONS (3/3)

Operating fault

In the event of a fault which may affect the correct operation of the engine, the system automatically switches from LPG to petrol mode.

This is confirmed by:

- the appearance of the yellow warning light **B**;
- slow flashing of the green warning light **D**;
- a beep sounds.

If driving under severe conditions

If driving under severe conditions (heavily laden vehicle, high outside temperature, starting on a steep slope, etc), you are recommended to switch to petrol mode.

At temperatures close to 0°C or less, it is recommended to use ECO mode to maximise the use of LPG. Please refer to the information on “Driving advice, Eco-driving” in Section 2.

In the event of an accident

The main precautions to be taken are the same as with petrol vehicles:

- apply the handbrake;
- stop the engine (a safety device that stops **LPG** from entering the engine is automatically triggered);
- switch off the ignition;
- observe local regulations.



LPG has a very specific smell so you will be able to detect any leaks easily. If you smell gas in your vehicle or immediately surrounding your vehicle:

- switch to petrol mode immediately and make sure there are no flames or sources of fire near the vehicle;
- go to an authorised dealer.



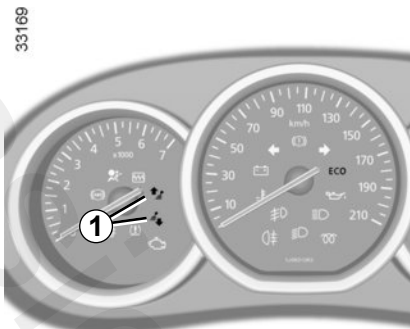
Do not touch, hit or dismantle any part of the LPG system components.

DRIVING ADVICE, ECO-DRIVING (1/5)

Fuel consumption is accredited in accordance with a standard regulatory method. Identical for all manufacturers, this enables vehicles to be compared with one another. Consumption in real time depends on vehicle usage conditions, the equipment fitted and the user's driving style. To optimise fuel consumption, please refer to the following advice.


Depending on the vehicle, you will have various functions which enable you to lower your fuel consumption:


- the rev counter;
- gear change indicator;
- ECO mode – activated by the ECO button.



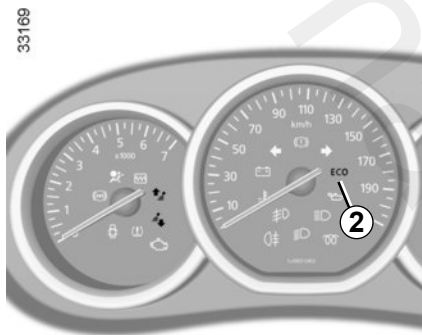
Gear change indicator 1

To obtain optimum consumption levels, a warning light on the instrument panel lets you know the best time to move up or down a gear:

 move up a gear;

 move down a gear.

DRIVING ADVICE, ECO-DRIVING (2/5)



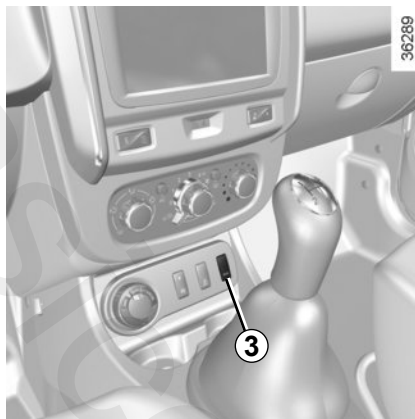
ECO mode

ECO mode is a function which optimises fuel consumption. This acts on certain consumption components, such as the engine.

Activating the function

Press switch 3.

The 2 **ECO** warning light comes on on the instrument panel to confirm activation.



While driving, it is possible to leave the ECO mode temporarily in order to improve engine performance.

To do this, press the accelerator pedal firmly and fully.

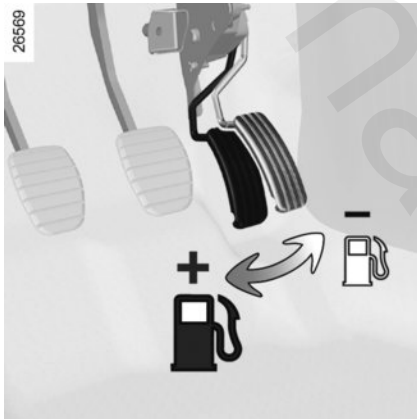
ECO mode is reactivated when you take pressure off the accelerator pedal.

Disabling the function

Press switch 3.

The 2 **ECO** light goes out on the instrument panel to confirm deactivation.

DRIVING ADVICE, ECO-DRIVING (3/5)



Driving advice, Eco-driving

Behaviour

- Drive carefully for the first few miles until the engine reaches its normal operating temperature, rather than let it warm up while the vehicle is stationary.
- Speed is expensive.
- Sporty driving uses a lot of fuel: drive with a light right foot.
- Do not overrev the engine in the intermediate gears. You should always use the highest gear possible.

- Avoid sudden acceleration.
- Brake as little as possible. If you anticipate an obstacle or bend in advance, you may then simply release the accelerator pedal.
- Do not try to maintain the same speed up a hill, accelerate no more than you would on the level. Keep your foot in the same position on the accelerator pedal.
- Double declutching and accelerating before switching off are unnecessary in modern vehicles.

On versions with an automatic gearbox, it is preferable to keep the gear lever in position **D**.



Driving problems

On the driver's side, only use mats specially adapted for the vehicle and attached to prefitted devices. Check regularly to make sure they are secure. Do not overlay several mats.

Risk of pedals jamming.

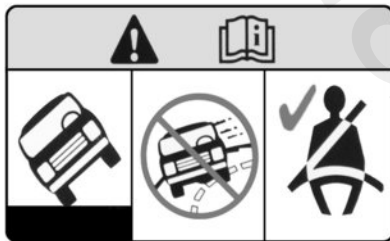
Vehicles with 4x4 (4WD) transmission

On flat, level ground, with the vehicle unladen, you are recommended to start in second gear.

DRIVING ADVICE, ECO-DRIVING (4/5)

A

36496



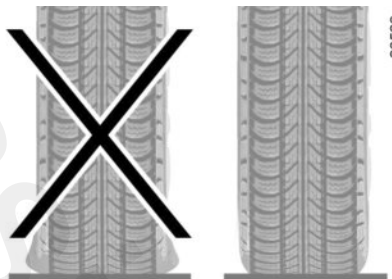
Your vehicle has a greater ground clearance than an ordinary passenger vehicle.

This gives it a higher centre of gravity, making it more susceptible to rolling during sudden or aggressive manoeuvres, or when cornering at high speeds.

Take extra care when the vehicle is loaded (in particular when the load is on the roof).

Ensure that all passengers are wearing their seat belts.

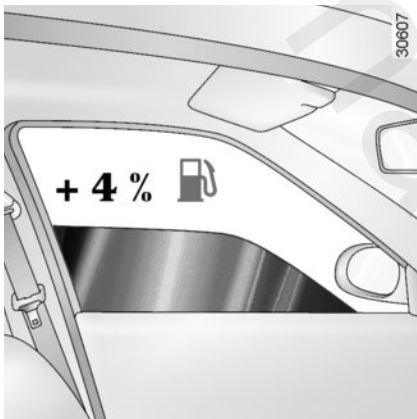
A label **A** affixed to the sun visor reminds you of this.



Tyres

- An underinflated tyre increases fuel consumption.
- The use of non-recommended tyres can increase fuel consumption.

DRIVING ADVICE, ECO-DRIVING (5/5)



Advice on use

- Favour ECO mode.
- Electricity is fuel; switch off all the electrical components which are not really needed. **However** (safety first), keep your lights on when the visibility is bad ("see and be seen").
- Use the air vents. Driving with the windows open at 60 mph (100 km/h) will increase fuel consumption by 4%.
- Never fill the fuel tank right to the brim to avoid overflow.

- In vehicles fitted with air conditioning, it is normal to observe an increase in fuel consumption (especially in urban conditions) when it is used. For vehicles fitted with manual air conditioning, switch off the system when it is not required.

Advice for reducing consumption and therefore helping to preserve the environment:

If the vehicle has been parked in the sun, open the doors for a few moments to let the hot air escape before starting the engine.

- Do not leave an empty roof rack fitted to the vehicle.
- It is better to fit a trailer for bulky objects.
- When towing a caravan, fit a wind deflector and adjust it carefully.
- Avoid using the car for door-to-door calls (short journeys with long waits in between) because the engine never reaches its normal operating temperature.

MAINTENANCE AND ANTIPOLLUTION ADVICE

Your vehicle complies with criteria for recycling and recovering vehicles at the end of their service life, which will come into force in 2015.

Some of the parts on your vehicle have been designed to be recycled later.

These parts are easily removable in order to be collected and reprocessed in recycling networks.

Furthermore, by virtue of its design, moderate fuel consumption and initial settings, your vehicle also conforms to current anti-pollution regulations. The manufacturer is actively striving to reduce pollutant exhaust gas emissions and to save energy. However, the fuel consumption of your vehicle and the level of pollutant exhaust gas emissions are also your responsibility. Ensure that it is maintained and used correctly.

Maintenance

It is important to remember that failure to respect anti-pollution regulations could lead to legal action being taken against the vehicle owner.

In addition, replacing engine, fuel supply system and exhaust components with parts other than those originally recommended by the manufacturer may alter your vehicle so that it no longer complies with anti-pollution regulations.

Have your vehicle adjusted and checked by an authorised dealer, in accordance with the instructions given in your maintenance schedule: they will have all the equipment necessary for ensuring that your vehicle is maintained to its original standard.

Engine adjustments

- **Air filter, fuel filter:** a choked element will reduce efficiency. It must be replaced.
- **Idle speed:** no adjustment is needed.

Exhaust gas monitoring system

The exhaust gas monitoring system will detect any operating faults in the vehicle's antipollution system.

If this system malfunctions, toxic substances may be released into the atmosphere or damage may occur.



This warning light on the instrument panel will indicate if there are any faults in the system:

This lights up when the ignition is switched on and goes out when the engine is started.

- If it lights up continuously, consult an approved Dealer as soon as possible;
- if it flashes, reduce the engine speed until the light stops flashing. Contact an authorised dealer as soon as possible.

ENVIRONMENT

Your vehicle has been designed with respect for the **environment** in mind for its entire service life: during production, use and at the end of its life.

This commitment is illustrated by the of the manufacturer eco² signature.

Manufacture

Your vehicle has been manufactured at a factory which complies with a policy to reduce the environmental impact on the surrounding areas (reduction of water and energy consumption, visual and noise pollution, atmospheric emissions and waste water; sorting and re-using waste).

Emissions

Your vehicle has been designed to emit fewer greenhouse gases (CO₂) while in use, and therefore to consume less fuel (eg. 140 g/km, equivalent to 5.3 l/100 km for a diesel vehicle).

Our vehicles are also equipped with a particle filter system including a catalytic converter, an oxygen sensor and an active carbon filter (the latter prevents vapour from the fuel tank being released into the open air).

For certain diesel vehicles, this system also has a particle filter to reduce the volume of soot particles emitted.

Please make your own contribution towards protecting the environment too

- Worn parts replaced in the course of routine vehicle maintenance (vehicle battery, oil filter, air filter, batteries, etc.) and oil containers (empty or filled with used oil) must be disposed of through specialist organisations.

- At the end of the vehicle's service life, it should be sent to approved centres to ensure that it is recycled.
- In all cases, comply with local legislation.

Recycling

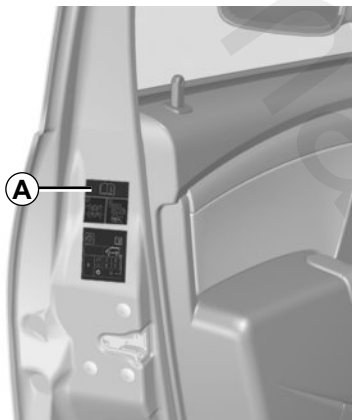
Your vehicle is 85% recyclable and 95% recoverable.

To achieve these objectives, many of the vehicle components have been designed to enable them to be recycled. The materials and structures have been carefully designed to allow these components to be easily removed and reprocessed by specialist companies.

In order to preserve raw material resources, this vehicle incorporates numerous parts made from recycled plastics or renewable materials (vegetable or animal-derived materials such as cotton or wool).

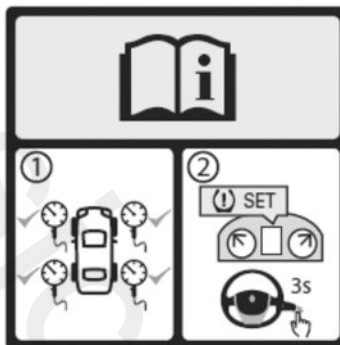
TYRE PRESSURE LOSS WARNING (1/7)

40250



When fitted to the vehicle, this system notifies the driver if one or more tyres lose pressure.

A



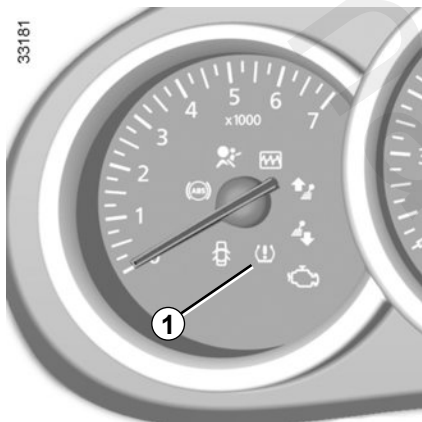
39767

System identification

There are two tyre pressure loss warning systems:

- **System A:** can be seen on the label **A** in the vehicle. To verify its presence, open the driver's door.
- **System B:** can be seen on the label **A** in the vehicle.


TYRE PRESSURE LOSS WARNING (2/7)



SYSTEM A

Operating principle

This system detects a loss of pressure in one of the tyres by measuring the wheel speed while driving.

Warning light  **1** comes on to alert the driver in the event of insufficient pressure (deflated wheel, punctured tyre, etc.).

Operating conditions

The system has to be reset with an inflation pressure equal to that written on the tyre inflation pressure label. Otherwise it risks not giving a reliable warning in the event of a significant loss of pressure. Please refer to the information on “Tyre pressures” in Section 4.

In the following situations, the system risk coming into action late or not functioning correctly:

- system not reset after reinflation or any operation on the wheels;
- system badly reset: different inflation pressures from the recommended pressures;
- significant change in load or distribution of load on one side of the vehicle;
- sporty driving with strong acceleration;
- driving on snowy or slippery surface;
- driving with snow chains;

- fitting a single new tyre;
- use of tyres not approved by the network.
- ...



This function is an additional driving aid.

However, the function does not take the place of the driver. It cannot, therefore, under any circumstances replace the vigilance or the responsibility of the driver.

Check the tyre pressures, including the emergency spare wheel, once a month.

TYRE PRESSURE LOSS WARNING (3/7)

SYSTEM A (cntd.)

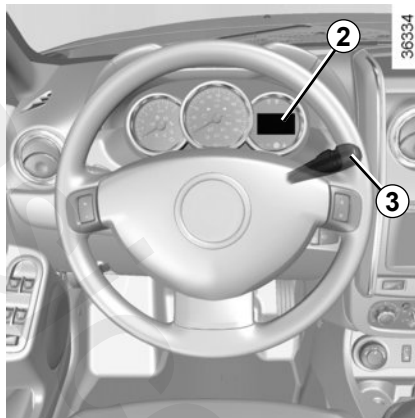
Resetting the standard level for the tyre pressures

This should be done:

- after each reinflation or readjustment of the pressure of one of the tyres;
- when the standard tyre pressure needs to be changed to adapt to usage conditions (empty, carrying a load, motorway driving, etc.);
- after changing a wheel;
- after using the tyre inflation kit;
- after changing wheels around.

It should always be done after checking the tyre pressure of all four tyres when cold.

Tyre pressures must correspond to the current usage of the vehicle (empty, carrying a load, motorway driving, etc.).



Resetting procedure

With the ignition on:

- repeatedly press the button **3** to select the “SEt tP” function on the display **2**;
- press and hold (around 3 seconds) the button **3** to start initialisation. The flashing, lasting around five seconds, followed by a constant display of the message «SEt tP” indicates that the reset request for the tyre pressure reference value has been taken into account.

Reinitialisation is carried out after a few minutes’ driving.

Display

Inflate tyres and SEt tP

The warning light  comes on (not flashing).

This indicates that at least one tyre is flat or punctured.

In the event of a flat tyre, inflate the relevant tyre.

In the event of a puncture, change the tyre or consult an authorised dealer.

Check and readjust the pressure of the four tyres when cold, and launch the reset of the tyre pressure reference value.

Warning light  goes out after launching the reinitialisation of the tyre pressure reference value.

The sudden loss of pressure in a tyre (burst tyre, etc.) cannot be detected by the system.

TYRE PRESSURE LOSS WARNING (4/7)

SYSTEM A (cntd.)

Relaunch SET tP

Warning light  flashes for several seconds, then stays on.



It indicates that the request to reset the reference tyre pressure value must be relaunched.

System unavailable

Warning light  flashes for several seconds, then stays on.

Indicates that the vehicle is fitted with an emergency spare wheel which is smaller than the other four and is fitted to the vehicle.

System to be checked

The warning light  flashes for several seconds, then stays on, along with the orange warning light .

They indicate a system fault. Please consult an authorised dealer.

Readjustment of tyre pressures

The tyre pressures must be adjusted when cold (please refer to the label located on the edge of the driver's door).

If tyre pressures cannot be checked when the tyres are **cold**, the recommended pressures should be increased by **0.2 to 0.3 bar (3 PSI)**.

Never deflate a hot tyre.

After each reinflation or readjustment of the tyre pressure, launch the reinitialisation of the tyre pressure reference value.

Replacing wheels/tyres

Only use equipment approved by the brand network, or the system risks being activated late or not operating correctly. Please see the information on "Tyres" in Section 5.

After each change of wheel/tyre, readjust the tyre pressure and launch the reset of the tyre pressure reference value.

Emergency spare wheel

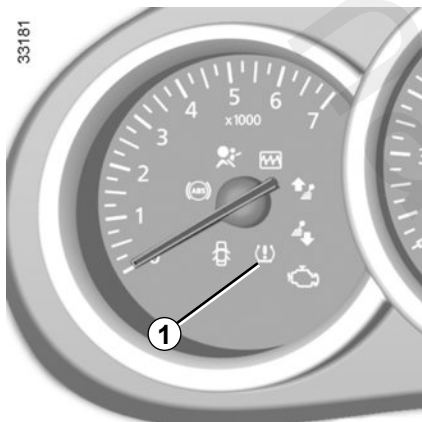
If fitted on the vehicle, readjust the tyre pressure and launch the reinitialisation of the tyre pressure reference value.

Inflation kit

Only use equipment approved by the brand network, or the system risks being activated late or not operating correctly. Please refer to "Tyre inflation kit" in Section 5.

After using the tyre inflation kit, readjust the tyre pressure and launch the reinitialisation of the tyre pressure reference value.


TYRE PRESSURE LOSS WARNING (5/7)



SYSTEM B

Operating principle

Each wheel (except for the emergency spare wheel) has a sensor in the inflation valve which periodically measures the tyre pressure while driving.

Warning light  1 comes on to alert the driver in the event of insufficient pressure (deflated wheel, punctured tyre, etc.).

Resetting the standard level for the tyre pressures

This should be performed:

- when the standard tyre pressure needs to be changed to adapt to usage conditions (empty, carrying a load, motorway driving, etc.);
- after changing wheels around;
- after changing a wheel.

It should always be done after checking the tyre pressure of all four tyres when cold.

Tyre pressures must correspond to the current usage of the vehicle (empty, carrying a load, motorway driving, etc.).

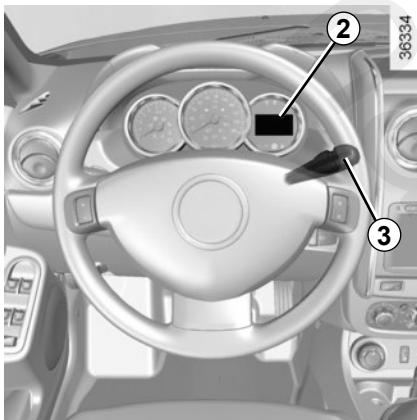


This function is an additional driving aid.

However, the function does not take the place of the driver. It cannot, therefore, under any circumstances replace the vigilance or the responsibility of the driver.

Check the tyre pressures, including the emergency spare wheel, once a month.

TYRE PRESSURE LOSS WARNING (6/7)



SYSTEM B (cntd.)

Resetting procedure

With the ignition on:

- repeatedly press the button **3** to select the “SEt tP” function on the display **2**;
- press and hold (around 3 seconds) the button **3** to start initialisation. The flashing, lasting around five seconds, followed by a constant display of the message «SEt tP” indicates that the reset request for the tyre pressure reference value has been taken into account.

Reinitialisation is carried out after a few minutes' driving.

Note:

The standard tyre pressure cannot be less than that recommended and indicated on the door frame.

Display

Check tyre pressure

The warning light  comes on (not flashing).



This indicates that at least one tyre is flat.

Check and, if necessary, readjust the pressures of the four wheels when cold.

The warning light  goes off after a few minutes' driving.


The sudden loss of pressure in a tyre (burst tyre, etc.) cannot be detected by the system.

Puncture

The warning light  and the red warning light  come on steady, together with a beep.

They indicate that at least one wheel is punctured or severely underinflated. Replace it or contact an authorised dealer if it is punctured. Top up the tyre pressure if the wheel is deflated.




The red warning light  requires you to stop immediately, for your own safety, as soon as traffic conditions allow.

TYRE PRESSURE LOSS WARNING (7/7)

SYSTEM B (cntd.)

Check tyre sensors

The warning light  flashes for several seconds, then stays on, along

with the orange warning light .

They indicate that at least one tyre is not fitted with sensors (e.g. emergency spare wheel). In other cases, contact an authorised dealer.

Readjustment of tyre pressures

The tyre pressures must be adjusted when cold (please refer to the label located on the edge of the driver's door).

If tyre pressures cannot be checked when the tyres are **cold**, the recommended pressures should be increased by **0.2 to 0.3 bar (3 PSI)**.

Never deflate a hot tyre.


Replacing wheels/tyres

This system requires specific equipment (wheels, tyres, hubcaps, etc.). Please see the information on "Tyres" in Section 5.

Contact an authorised dealer to fit new tyres and to find out about available accessories compatible with the system and available from your dealer network: the use of any other accessory could affect the correct operation of the system.

Emergency spare wheel

If the vehicle is equipped with an emergency spare wheel, it will not have a sensor.

When fitted to the vehicle, the warning light  and the orange warning

light  are displayed on the instrument panel.

Inflation kit

Because the valves are specially designed, only use equipment approved by the approved network. Please refer to "Tyre inflation kit" in Section 5.

GEAR LEVER, HANDBRAKE



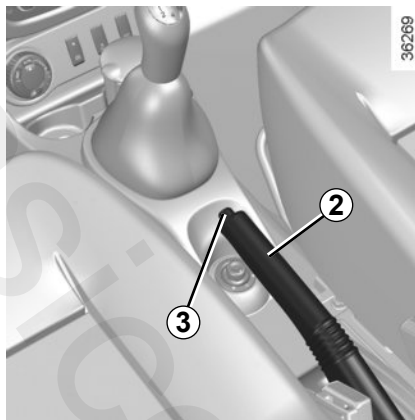
Gear lever

Selecting reverse gear (vehicle stationary)

Vehicles with manual gearbox: refer to the grid on the gear lever knob **1**.

Vehicles with automatic gearbox: refer to the information on the "Automatic gearbox" in Section 2.

The reversing lights will come on as soon as reverse gear is selected with the ignition on.



An impact to the underside of the vehicle (eg. striking a post, raised kerb or other street furniture) may result in damage to the vehicle (eg. deformation of an axle).

To prevent any risk of accident, have your vehicle checked by an approved dealer.

Handbrake

To release

Pull lever **2** up slightly, press button **3** and then lower the lever to the floor.

The red warning light on the instrument panel will come on if you are driving with an incorrectly released handbrake.

To apply

Pull lever **2** upwards and make sure the vehicle is immobilised.



When driving, make sure the handbrake is completely released.
Risk of overheating.



When stationary, and depending on the slope and/or vehicle load, it may be necessary to pull up the handbrake at least two extra notches and engage a gear (1st or reverse gear) for vehicles with a manual gearbox or position **P** for vehicles with an automatic gearbox.

TRANSMISSION: 4-wheel drive (4WD) (1/4)



Remember that driving a vehicle off-road is very different to driving it on the road.

To make the most of your vehicle in an off-road situation, we recommend that you are trained to drive a 4x4 (4WD) vehicle.

The safety of both you and your passengers is your responsibility, and depends on your skill and the care you take when driving off-road.

4x2 (2WD) and 4x4 (4WD) mode selector

Depending on the road conditions, turning selector **1** enables the following modes to be selected:

- 2WD;
- AUTO;
- 4WD Lock.

“AUTO” mode

To activate this mode, turn the selector **1** to the “AUTO” position.

Operating principle

“AUTO” mode automatically distributes the engine torque between the front and rear axles according to the road conditions and the vehicle speed. This position optimises roadholding. Use this mode on any type of road (dry, snow-covered, slippery, etc.) or when towing (trailer or caravan). This mode is not indicated on the instrument panel.

“2WD” mode

To activate this mode, turn selector **1** to the “2WD” position. The **2WD** indicator light will light up on the instrument panel.

Operating principle

The “2WD” mode uses the front wheels only. Use this mode on dry roads with good grip.

TRANSMISSION: 4-wheel drive (4WD) (2/4)

To deactivate this mode, turn selector **1** to the "AUTO" position. The **2WD** indicator light on the instrument panel goes out.

"4WD Lock" mode

To activate this mode, turn selector **1** to the "4WD Lock" position. The selector returns to the "AUTO" position. The **4WD Lock** indicator light will light up on the instrument panel.

Operating principle

"4WD Lock" mode distributes the engine torque between the front and rear axles in order to optimise the performance capacity of the vehicle in off-road situations. This mode should only be used in extreme driving conditions (mud, steep slopes, sand).

To deactivate this mode, turn selector **1** to the "4WD Lock" position again. The indicator light on the instrument panel goes out. When the engine is switched off, the system stays in "4WD Lock" mode for one minute.

After one minute, the system switches to "2WD" or "AUTO" mode depending on the position of the selector.

Note: if the vehicle is travelling at a speed of more than approximately 49.6 mph (80 km/h) or if it is travelling at a speed of between 37.2 and 49.6 mph (60 and 80 km/h) for more than one minute in «4WD Lock" mode, the system automatically switches back to "AUTO" mode. The warning light **4WD Lock** goes out.

Special features of the 4-wheel drive transmission

The vehicle may make more noise when the "AUTO" or "4WD Lock" modes are activated. This is normal. If the system detects a difference in the dimensions of the front and rear wheels (eg. underinflation, severe wear on an axle), the system automatically switches to "2WD" mode.

The **2WD** and  warning lights on the instrument panel come on. Drive as soon as possible at a moderate speed to an approved dealer.

This problem may be resolved by changing the tyres. Always use four identical tyres (same brand, profile, etc.) and with similar wear.

In the event of excessive wheelspin, the mechanical components may be overheating.

If this happens:

- at first, the **4WD Lock** warning light flashes. "4WD Lock" mode is still active, however we recommend that you stop as soon as possible to allow the system to cool down (until the warning light stops flashing);
- if the wheels still spin, the system automatically switches to "2WD" mode to protect the mechanical components.

The **2WD** warning light flashes. The mode cannot be changed while the light is flashing.

TRANSMISSION: 4-wheel drive (4WD) (3/4)

In this case, we recommend that you stop as soon as possible to allow the system to cool down (until the warning light stops flashing).

Cooling may take up to five minutes.

If the system detects excessive wheelspin on the front wheels, it adapts the engine to run in a way that reduces wheelspin.

Anti-lock braking in “LOCK” mode (vehicles equipped with ABS)

When “4WD Lock” mode is active, the ABS switches to off-road mode. In this case, the wheels may lock intermittently to achieve better grip, thus reducing braking distances on soft ground. When this mode is active:

- the vehicle’s manoeuvrability is limited during braking. This operating mode is therefore not recommended in very low-grip conditions (eg. ice).
- there may be some noise. This is normal, and does not indicate an operating fault.

Electronic stability program and traction control when driving off-road

(vehicles equipped with ESC)


When driving on soft ground (sand, mud, deep snow), we recommend that you deactivate the ESC function by pressing the “ESC” switch.

In this case, only individual wheel braking remains active. This function applies the brake to any wheel that is slipping, allowing the engine torque to be transferred to the wheels with the most grip. This is particularly useful when crossing a bridge.

All the ESC functions will be reactivated when the vehicle speed reaches approximately 30 mph (50 km/h) (36 mph (60 km/h) in 4WD Lock mode), when the engine is restarted or when the “ESC” button is pressed again.

Operating faults

If the system detects an operating fault, it automatically switches to “2WD”

mode, and the **2WD** and  warning lights come on.

Drive as soon as possible at a moderate speed to an approved dealer.

For certain operating faults, the system may not be able to switch to “2WD” or “4WD Lock” mode. “AUTO” mode remains active.

Contact an approved dealer as soon as possible.

TRANSMISSION: 4-wheel drive (4WD) (4/4)



All-wheel drive system

- Irrespective of the mode selected, do not start the engine if one or more wheels are not in contact with the ground (eg. when the vehicle is on a jack or roller bench).
- Do not turn the mode selector when cornering, reversing or if the wheels are spinning excessively. Only select the “2WD”, “AUTO” or “4WD Lock” mode when the vehicle is being driven in a straight line.
- Only use tyres which meet the required specifications.
- “4WD Lock” mode is reserved solely for use **off-road**. The use of this mode in any other conditions may adversely affect the vehicle’s manoeuvrability and damage its mechanical components.
- Always ensure tyres with identical specifications are fitted to all four wheels (brand, size, structure, wear etc.). Fitting tyres of different sizes to the front and rear wheels and/or left and right wheels may have serious consequences for the tyres, gearbox, transfer gearbox and the rear differential pinions.

DRIVER CORRECTION DEVICES/AIDS (1/4)

Depending on the vehicle, this is composed of:

- the **ABS (anti-lock braking system)**;
- the **emergency brake assist**;
- **electronic stability control (ESC) with understeer control and traction control**.
- **hill start assistance**.



These functions are an additional aid in the event of critical driving conditions, enabling the vehicle behaviour to be adapted to suit the driving conditions.

However, the functions do not take the place of the driver. **They do not increase the vehicle's limits and should not encourage you to drive more quickly.** Therefore, they can under no circumstances replace the vigilance or responsibility of the driver when manoeuvring the vehicle (the driver must always be ready for sudden incidents which may occur when driving).

ABS (anti-lock braking system)

Under heavy braking, the ABS prevents the wheels from locking, allowing the stopping distance to be managed and keeping control of the vehicle. Under these circumstances, the vehicle can be steered to avoid an obstacle whilst braking. In addition, this system can increase stopping distances, particularly on roads with low surface grip (wet ground etc.).

You will feel a pulsation through the brake pedal each time the system is activated. The ABS does not in any way improve the vehicle's physical performance relating to the road surface and roadholding. It is still **essential** to follow the rules of good driving practice (such as driving at a safe distance from the vehicle in front etc.).




In an emergency, apply **firm and continuous pressure** to the brake pedal. There is no need to pump it repeatedly. The ABS will modulate the force applied in the braking system.

Special feature of 4-wheel drive vehicles

In 4WD Lock mode, the system may lock the wheels briefly to optimise the braking distance on very wet ground (snow, mud, sand, etc.).

DRIVER CORRECTION DEVICES/AIDS (2/4)

Operating faults

- If the  warning light on the instrument panel comes on while you are driving, **the brakes will still work normally without ABS;**
- If the  and  warning lights on the instrument panel come on while you are driving, **there is a fault in the braking system.**

In both cases, consult an approved Dealer.



Your braking systems are partially operational. However, it is **dangerous to brake suddenly** and it is essential to stop immediately, as soon as traffic conditions allow. Contact an approved dealer.

Emergency brake assist with electronic brake distribution (depending on the vehicle)

This system supplements the ABS and helps reduce vehicle stopping distances.

Operating principle

The system is for detecting an emergency braking situation. In this case, the braking assistance immediately develops maximum power and may trigger ABS regulation.

ABS braking is maintained as long as the brake pedal is applied.



Electronic stability program ESC with understeer control and traction control

Electronic Stability Program ESC (depending on the vehicle)

This system helps you to keep control of the vehicle in critical driving conditions (avoiding an obstacle, loss of grip on a bend, etc.).

Understeer control

This system optimises the action of the ESC in the case of pronounced understeering (loss of front axle road holding).

Traction control

This system helps to limit wheelspin of the drive wheels and to control the vehicle when pulling away accelerating or decelerating.

Deactivating the ESC function

In some situations (driving on very wet ground: snow, mud, etc. or driving with snow chains fitted), the system may reduce the engine output to limit wheelspin. If this is not required, it is possible to deactivate the function by pressing switch **1**.

The warning light  on the instrument panel comes on to warn you of this.

If you deactivate this function, the traction control system will also be deactivated.

With the Electronic Stability Program ESC with understeer control and traction control providing additional safety, you are advised not to drive with the function disabled. Correct this as soon as possible by pressing the switch **1** again.

Note: The function is automatically reactivated when the ignition is switched on, or when the speed exceeds 30 mph (50 km/h) in “AUTO” and “2WD” modes, and approximately 36 mph (60 km/h) in “4WD Lock” mode.

36277


DRIVER CORRECTION DEVICES/AIDS (4/4)

Operating principle


A sensor in the steering wheel detects the direction selected by the driver.


Other sensors throughout the vehicle measure the actual direction.

The system compares driver input to the actual trajectory of the vehicle and corrects the trajectory if necessary by controlling the braking of certain wheels and/or engine power. In the event that the system is engaged, the indicator

light  flashes on the instrument panel.

Operating faults

When the system detects an operating fault the warning lights  and

 appear on the instrument panel. In this case, the Electronic Stability Program ESC with understeer control and traction control are deactivated.

Please consult an authorised dealer if these warning lights remain displayed on the instrument panel after the ignition is switched off and on again.

Hill start assistance

Depending on the gradient of the incline, this system assists the driver when starting on a hill. It prevents the vehicle from rolling backwards by automatically applying the brakes when the driver lifts his/her foot off the brake pedal to depress the accelerator pedal.

It only operates when the gear lever is in a position other than neutral (other than N or P for automatic transmissions) and the vehicle is completely stationary (brake pedal depressed).

The system holds the vehicle for approximately **2 seconds**. The brakes are then released (the vehicle will move according to the slope).



The hill start assistance system cannot completely prevent the vehicle from rolling backwards in all situations (extremely steep gradients etc.).

In all cases, the driver may depress the brake pedal to prevent the vehicle from rolling backwards.

The hill start assistance function should not be used for prolonged stops: use the brake pedal.

This function is not designed to immobilise the vehicle permanently.

If necessary, use the brake pedal to stop the vehicle.

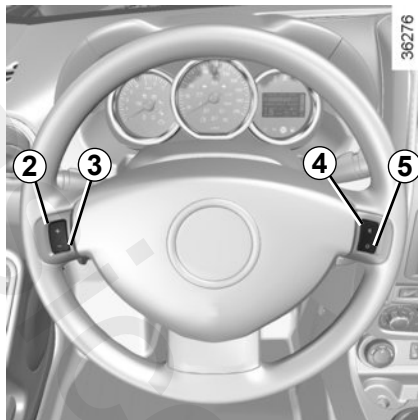
The driver must remain particularly vigilant when driving on slippery or low-grip surfaces and/or on hills.

Risk of serious injury.

CRUISE CONTROL/SPEED LIMITER: speed limiter function (1/3)

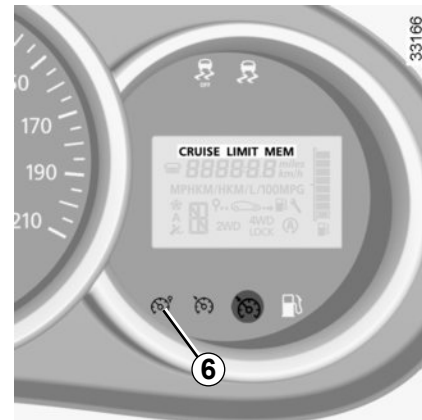


The speed limiter function helps you stay within the driving speed limit that you choose, known as the **limit speed**.




Controls

- 1 Main “On/Off” switch.
- 2 Limit speed activation, storage and increase switch (+).
- 3 Decreasing the limit speed (-).
- 4 Activation and recall of memorised limit speed (R).
- 5 Speed limiter function standby (with limited speed memory) (O).



Switching on

Press switch **1** on the side showing . The warning light **6** is orange and, depending on the vehicle, the message “LIMIT” or the warning light **LIMIT** appears on the instrument panel, accompanied by dashes to indicate that the speed limiter function is activated and waiting to memorise a limit speed. To store the current speed, press switch **2** (+): the limit speed will replace the dashes. The minimum stored speed is 20 mph (30 km/h).

CRUISE CONTROL/SPEED LIMITER: speed limiter function (2/3)



Driving

When a limited speed has been stored and this speed is not reached, driving is similar to driving a vehicle without the speed limiter function.

Once you have reached the stored speed, no effort on the accelerator pedal will allow you to exceed the programmed speed except in an emergency (refer to information on “Exceeding the limit speed”).

Varying the limit speed

The limit speed may be changed by repeatedly pressing:

- switch **2** (+) to increase speed;
- switch **3** (-) to reduce speed.

Exceeding the limit speed

It is possible to exceed the limit speed at any time. To do this: press the accelerator pedal **firmly and fully** (beyond the resistance point).

While the speed is being exceeded, the programmed speed displayed on the instrument panel flashes.

Then, release the accelerator: the speed limiter function will return as soon as you reach a speed lower than the stored speed.

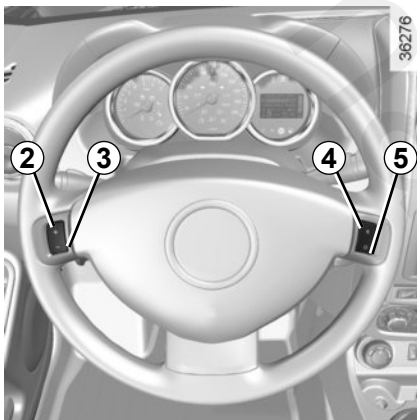
Limited speed cannot be maintained

If driving up or down a steep gradient, the system is unable to maintain the limit speed: the stored speed will flash on the instrument panel information display to inform you of this situation.



The speed limiter function is in no way linked to the braking system.

CRUISE CONTROL/SPEED LIMITER: speed limiter function (3/3)



Putting the function on standby

The speed limiter function is suspended when you press the switch **5** (O). In this case, the speed limit remains stored and, depending on the vehicle, the message "MEM" or the warning light **MEM** appears on the instrument panel, accompanied by the stored speed.


Recalling the limit speed

If a speed has been saved, it can be recalled by pressing switch **4** ((R)).

When the speed limiter is put on standby, pressing switch **2** (+) reactivates the function without taking into account the stored speed: it is the speed at which the vehicle is moving that is taken into account.



Switching off the function

The speed limiter function is deactivated if you press switch **1**: in this case a speed is no longer stored. The orange instrument panel warning light  goes out, confirming that the function is stopped.

CRUISE CONTROL/SPEED LIMITER: cruise control function (1/4)



The cruise control function helps you to maintain your driving speed at a speed that you choose, called the **cruising speed**.

This cruising speed may be set at any speed above 20 mph (30 km/h).



The cruise control function is in no way linked to the braking system.

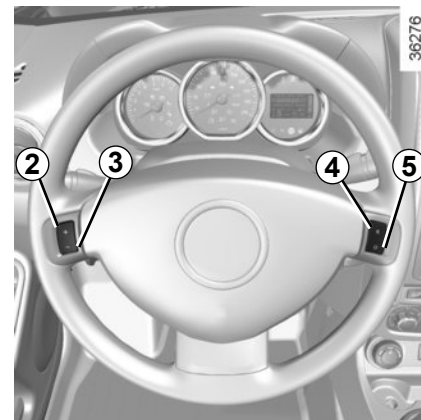


This function is an additional driving aid. However, the function does not take the place of the driver.

Therefore, it can under no circumstances replace the driver's responsibility to respect speed limits and to be vigilant (the driver must always be ready to brake).

Cruise control must not be used in heavy traffic, on undulating or slippery roads (black ice, aquaplaning, gravel) and during bad weather (fog, rain, side winds etc.).

There is a risk of accidents.



Controls

- 1 Main "On/Off" switch.
- 2 Cruising speed activation, storage and increase switch (+).
- 3 Decreasing cruising speed (-).
- 4 Activation with recall of saved cruising speed (R).
- 5 Switch the function to standby (with cruising speed saved) (O).

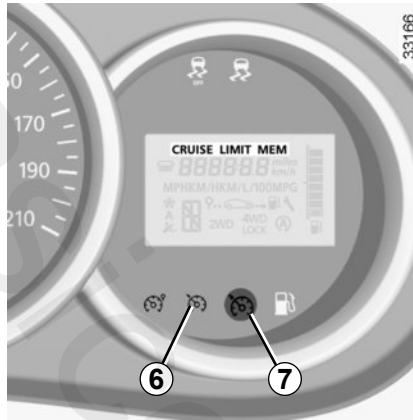
CRUISE CONTROL/SPEED LIMITER: cruise control function (2/4)



Switching on



Press switch **1** side .

The green warning light **6** comes on and, depending on the vehicle, the message "CRUISE" or the **CRUISE** warning light appears on the instrument panel, accompanied by dashes to indicate that the cruise control function is activated and waiting to store a cruising speed.



Activating cruise control

At a steady speed (above 18 mph (30 km/h approximately)) press switch **2** or (+): the function is activated and the current speed is saved.

The cruising speed replaces the dashes and cruise control is confirmed by the appearance (depending on the vehicle) of the message "CRUISE" or the **CRUISE** warning light and the green **7**  warning light as well as the **6**  warning light.



Driving

Once a cruising speed is stored and the cruise control function is active, you may lift your foot off the accelerator pedal.



Important: you are nevertheless advised to keep your feet close to the pedals in order to react if necessary.

CRUISE CONTROL/SPEED LIMITER: cruise control function (3/4)



Adjusting the cruising speed

The cruising speed may be changed by pressing the following repeatedly:

- switch **2** (+) to increase the speed,
- switch **3** (-) to decrease the speed.



The cruise control function is in no way linked to the braking system.

Exceeding the cruising speed

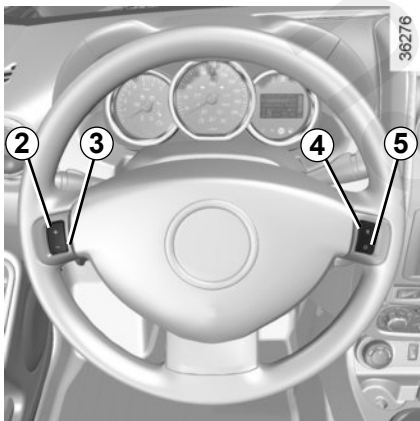
The cruising speed may be exceeded at any time by depressing the accelerator pedal. While it is being exceeded, the cruising speed flashes on the instrument panel.

Then, release the accelerator: after a few seconds, the vehicle will automatically return to its set cruising speed.

Cruising speed cannot be maintained

When driving down a steep gradient, the system is unable to maintain the cruising speed: the stored speed will flash on the instrument panel information display to inform you of this situation.

CRUISE CONTROL/SPEED LIMITER: cruise control function (4/4)

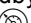


Putting the function on standby

The function is set to standby if you:


- use the switch **5** (O);
- the brake pedal;
- depress the clutch pedal or shift into neutral if the vehicle has an automatic gearbox.

In all three cases and depending on the vehicle, the cruising speed remains stored and, depending on the vehicle, the message “MEM” or the **MEM** warning light appears on the instrument panel.

Standby is confirmed when indicator light  goes out.

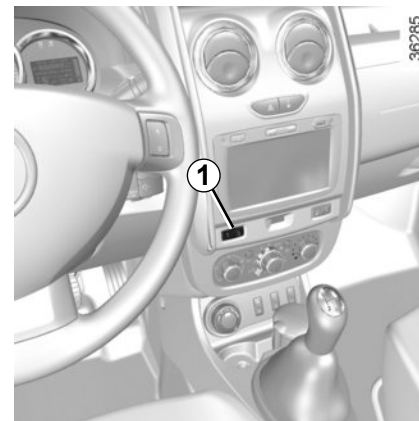
Returning to the cruising speed

If a speed is stored, it can be recalled, once you are sure that the road conditions are suitable (traffic, road surface, weather conditions, etc.). Press switch **4** (R) if the vehicle speed is above 20 mph (30 km/h).



When the stored speed is recalled, activation of the cruise control is confirmed by the illumination of the  warning light.

NB: if the speed previously stored is much higher than the current speed, the vehicle will accelerate more rapidly to reach this threshold.

When the cruise control function is put on standby, pressing switch **2** (+) reactivates the cruise control function without taking into account the stored speed: it is the speed at which the vehicle is moving that is taken into account.



Switching off the function

The cruise control function is deactivated if you press switch **1**: in this case a speed is no longer stored. The two instrument panel warning lights  and  go out to confirm that the function is deactivated.



Putting the cruise control on standby or switching it off does not cause a rapid reduction in speed: you must brake by depressing the brake pedal.

AUTOMATIC GEARBOX (1/4)



Selector lever 1

Display 3 on the instrument panel shows the mode and gear selected.

P: Park

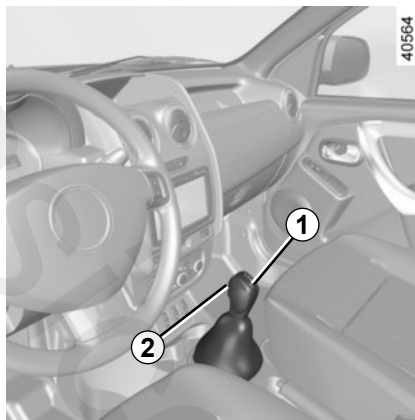
R: Reverse

N: Neutral

D: Automatic mode

M: Manual mode

4: zone displaying gearbox mode or gear engaged in manual mode.



Operation

With the selection lever 1 in position **P**, switch on the ignition.

With your foot on the brake pedal, move the lever out of position **P**.

Only engage D or R when the vehicle is stopped, with your foot on the brake and the accelerator pedal released.

To move out of position P the brake pedal must be depressed before pressing the unlocking button 2



Driving in automatic mode

Place the lever into position **D**.

In the majority of driving conditions, you will no longer have to use your gear lever: the gears change automatically, at the right time, to a suitable engine speed because “automatic” takes the vehicle’s load, road profile and driving style into account.



For safety reasons, do not switch off the ignition before the vehicle has come to a complete standstill.

AUTOMATIC GEARBOX (2/4)

Economical driving

When driving, always leave the lever in position **D**, keeping the accelerator pedal lightly depressed to ensure automatic gear changes at a lower engine speed.

Accelerating and overtaking

Depress the accelerator pedal firmly and fully (so that it goes beyond the kickdown point).

This will enable you to change down to the optimum gear within the engine range.

40573



Driving in manual mode

When the selector lever is in position **D**, move the lever to the left.

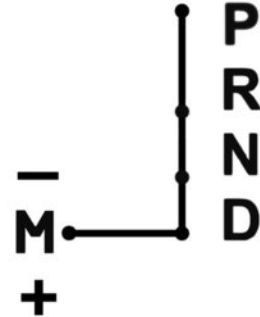
Shifting the lever repeatedly allows you to change gears manually:

- To move down through the gears, push the lever backwards;
- to move up through the gears, push the lever forwards.

Depending on the vehicle:

- to move down through the gears, push the lever forwards;

40574



- to move up through the gears, push the lever backwards.

The gear selected is displayed on the instrument panel.

Special cases

In certain driving conditions (e.g.: to protect the engine) the “automated system” may change the gear automatically.

Likewise, to prevent incorrect manoeuvres, a gear change may be refused by the automatic system: in this case the gear display flashes for a few seconds as a warning.

AUTOMATIC GEARBOX (3/4)



Special circumstances

- **Depending on the vehicle, snow position:** if you are driving on slippery surfaces (snow, mud, etc.) press switch **5**, the operating indicator light **6** comes on.

Once these special driving conditions no longer apply, exit this function by pressing switch 5 again. The warning light 6 goes out.



- **If the road contour and bends in the road** do not allow you to stay in automatic mode (e.g.: in mountainous areas), it is recommended that you switch to manual mode. This will prevent the automatic gearbox from changing gears repeatedly when climbing, and permit engine braking on long descents.
- **In cold weather**, to prevent the engine from stalling, wait a few seconds before moving the selector lever from position **P** or **N** and engaging it in **D** or **R**.

- **Vehicles not fitted with traction control:** on a slippery surface or surface with a low level of adhesion, change to manual mode and select second gear (or even third) before starting the engine to avoid wheel-spin when accelerating.

In very cold weather, the system may prevent the gears from being shifted in manual mode until the gearbox reaches the right temperature.

AUTOMATIC GEARBOX (4/4)

Parking the vehicle

When the vehicle is stopped, move the lever to position **P** while keeping your foot on the brake pedal: the gearbox is in neutral and the drive wheels are mechanically locked by the driveshaft.

Apply the handbrake.

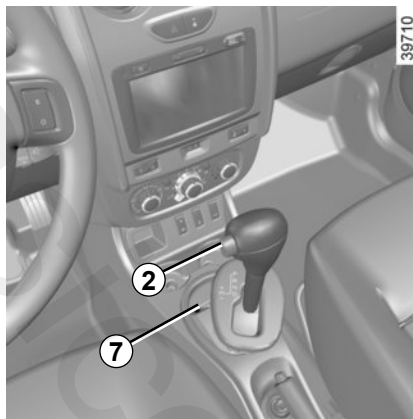


For safety reasons, do not switch off the ignition before the vehicle has come to a complete standstill.



An impact to the underside of the vehicle while manoeuvring (e.g.: striking a post, raised kerb or other street furniture) may result in damage to the vehicle (e.g.: deformation of an axle).

To avoid any risk of accident, have your vehicle checked by an approved Dealer.

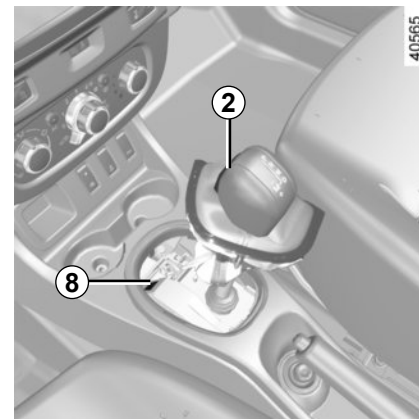


Operating faults

If a vehicle with an automatic gearbox breaks down, please refer to the information on “Towing” in Section 5.

When setting off, if the lever is locked in position **P** even though you are pressing the brake pedal, the lever can be released manually.

To do this, unclip the base of the lever, simultaneously press recess **7** and the unlocking button **2**.



Depending on the vehicle, unclip the base of the lever, then insert a tool (rigid rod) into the slot **8** and simultaneously press the button **2** in order to unlock the lever.

Contact an authorised dealer as soon as possible.

PARKING DISTANCE CONTROL (1/2)

Operating principle

Ultrasonic sensors, fitted in the vehicle's rear bumper, measure the distance between the vehicle and an obstacle when reversing.

This measurement is indicated by beeps which become more frequent the closer you come to the obstacle, until they become a continuous beep when the vehicle is approximately 40 centimetres from the obstacle.

There is a beep when reverse gear is engaged. If the beep sounds for a long time (3 seconds), this signals an operating fault.

NB: ensure that the ultrasonic sensors are not obscured (by dirt, mud, snow, etc.).



An impact to the underside of the vehicle while manoeuvring (e.g.: striking a post, raised kerb or other street furniture) may result in damage to the vehicle (e.g.: deformation of an axle).

To avoid any risk of accident, have your vehicle checked by an approved dealer.

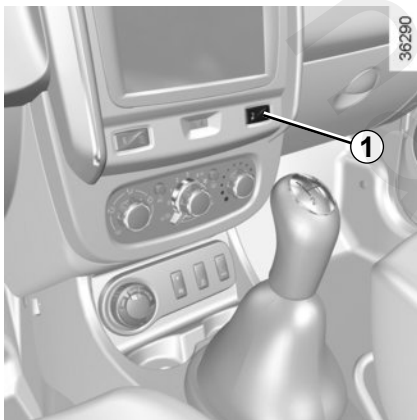


This function is an additional aid that indicates the distance between the vehicle and an obstacle whilst reversing, using sound signals.

Under no circumstances should it replace the driver's care or responsibility whilst reversing.

The driver should always look out for sudden hazards during driving: always ensure that there are no moving obstacles (such as a child, animal, pram, bicycle, etc.) or small, narrow objects such as stones or posts in your path when manoeuvring.

PARKING DISTANCE CONTROL (2/2)



Deactivating the system

You can deactivate the system by pressing switch **1**.

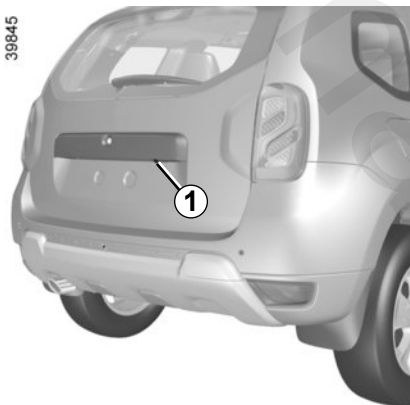
The warning light built into the switch remains lit constantly.

The deactivated system can be reactivated by pressing the switch again.

Operating faults

When the system detects an operating fault, there will be a three-second continuous beep as a warning. Please consult an authorised dealer.

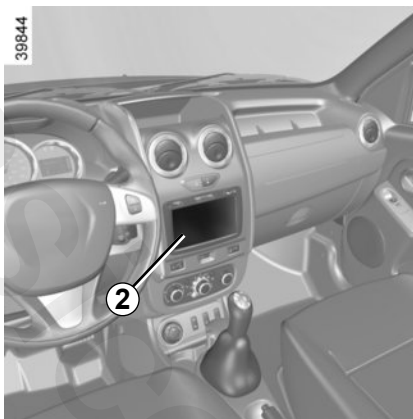
REVERSING CAMERA (1/2)



Operation

When using reverse gear, the camera **1** located near the tailgate sends a view of the area behind the vehicle to the multimedia display **2** together with a static guide line.

This system is used with the aid of a fixed distance gauge. When the red zone is reached, use the bumper image to stop accurately.

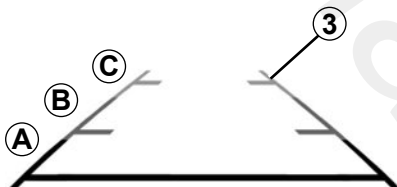


Note: make sure that the reversing camera is not obscured (by dirt, mud, snow, etc.).



This function is an additional aid. It cannot, therefore, under any circumstances replace the vigilance or the responsibility of the driver. The driver should always pay attention to sudden incidents during driving: always ensure that there are no moving obstacles (such as a child, animal, pram, bicycle, etc.) or small, narrow objects such as stones or posts in your path when manoeuvring.

REVERSING CAMERA (2/2)



Static guide line 3:

The static guide line **3** has coloured markers **A**, **B** and **C** showing the distance behind the vehicle:

- **A** (red) approximately 30 centimetres from the vehicle;
- **B** (yellow) approximately 70 centimetres from the vehicle;
- **C** (green) approximately 150 centimetres from the vehicle.

This gauge remains fixed and indicates the vehicle trajectory if the wheels are in line with the vehicle.

The screen shows a reverse image.

The frames are a representation projected onto flat ground; this information must not be taken into account when superimposed on a vertical object or an object on the ground.

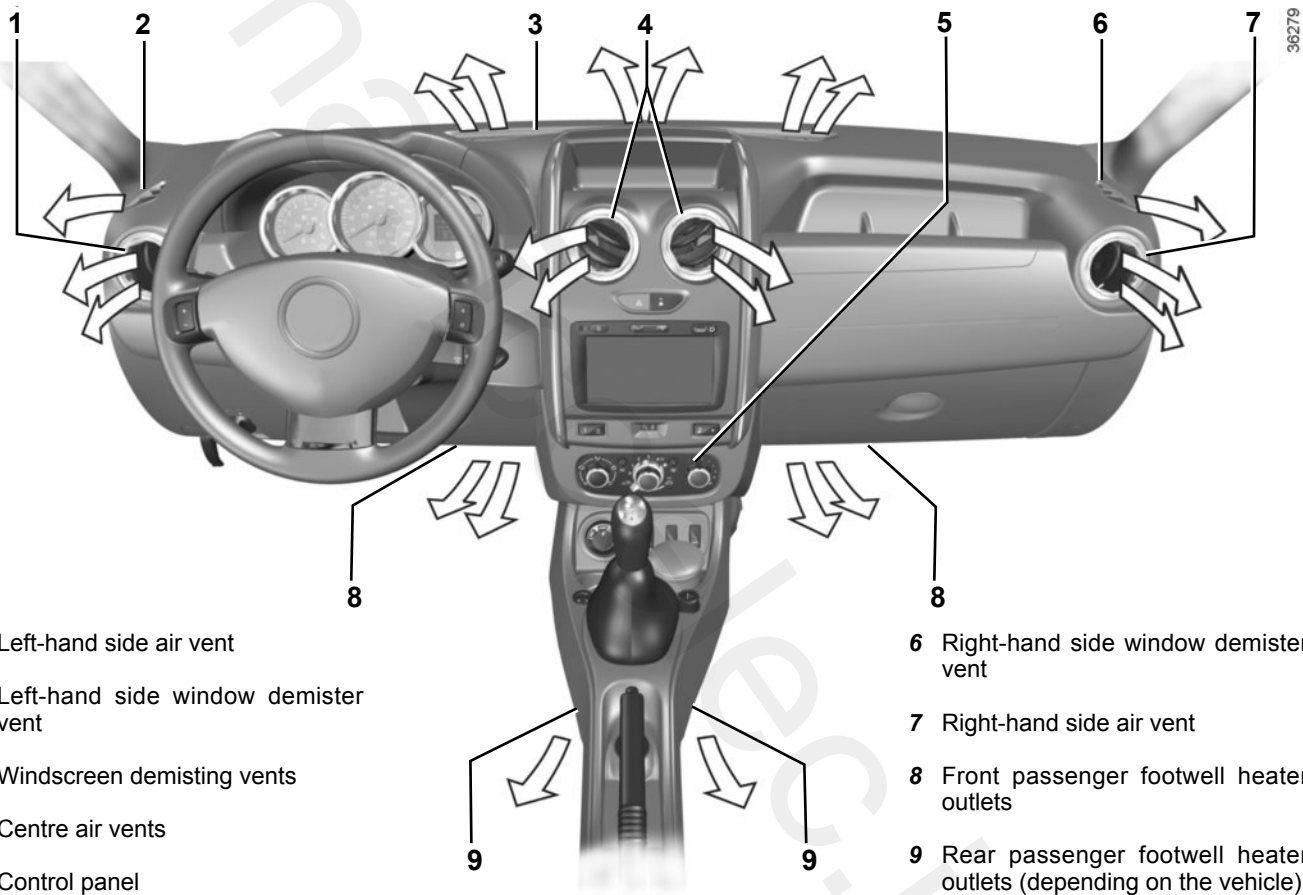
Objects which appear on the edge of the screen may be deformed.

In very bright light (snow, vehicle in sunshine etc.), the camera vision may be adversely affected.

Section 3: Your comfort

Air vents, air outlets	3.2
Heating/Ventilation/Air conditioning	3.4
Air conditioning: information and advice on use	3.7
Electric windows	3.8
Interior lighting	3.11
Sun visor/grab handle	3.13
Ashtrays, Cigarette lighter, Accessories socket	3.14
Rear headrests	3.15
Passenger compartment storage space and fittings	3.16
Rear bench seat	3.20
Luggage compartment	3.23
Transporting objects in the luggage compartment	3.24
Transporting objects: towing, towing equipment)	3.26
Rear parcel shelf	3.27
Roof bars	3.28
Multimedia equipment	3.29

AIR VENTS, air outlets (1/2)



1 Left-hand side air vent

2 Left-hand side window demister vent

3 Windscreen demisting vents

4 Centre air vents

5 Control panel

6 Right-hand side window demister vent

7 Right-hand side air vent

8 Front passenger footwell heater outlets

9 Rear passenger footwell heater outlets (depending on the vehicle)

AIR VENTS, air outlets (2/2)



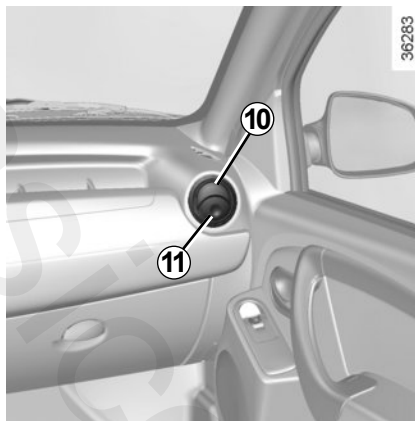
Centre and side air vents

Air flow

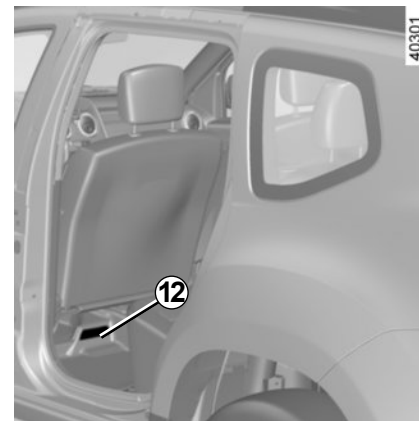
To open the air vent **10**, press on the air vent (point **11**) until it is open as far as required.

Direction

To direct the air flow, swivel side air vent **10**.



To remove bad odours from your vehicles, only use the systems designed for this purpose. Consult an approved Dealer.



Rear seats

(depending on vehicle)

Passenger footwell heater outlets **12**.

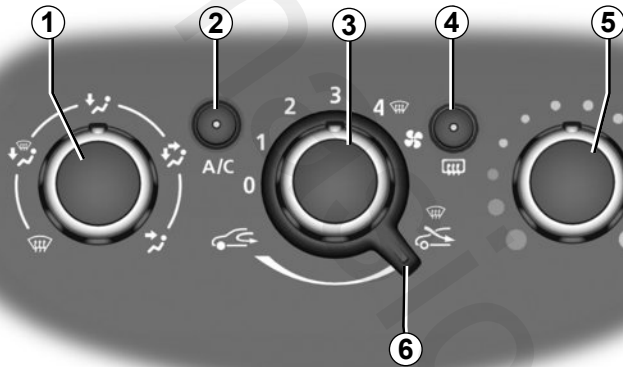


Do not add anything to the vehicle's ventilation circuit (for example, to remove bad odours).

There is a risk of damage or of fire.

HEATING, VENTILATION, AIR CONDITIONING (1/3)

39425



Controls

The controls will depend on the vehicle equipment level.

- 1 Distribution of air.
- 2 Switching air conditioning on or off.
- 3 Adjusting the ventilation fan speed.
- 4 De-icing/demisting of the rear screen and, depending on the vehicle, the door mirrors and windscreen.
- 5 Air temperature adjuster.
- 6 Switching passenger compartment isolation mode/air recirculation mode on

Information and advice on use: refer to information on “Air conditioning: information and advice on use”.

Depending on the vehicle, in the event of setting the “Wake up every 2 hours” remote starting function, the ventilation system must be stopped before leaving the vehicle.

Please see your vehicle’s multimedia instructions.

Adjusting the air temperature

Turn control **5** to obtain the desired temperature. The further towards the red the slide is, the higher the temperature will be.

Adjusting the ventilation fan speed.

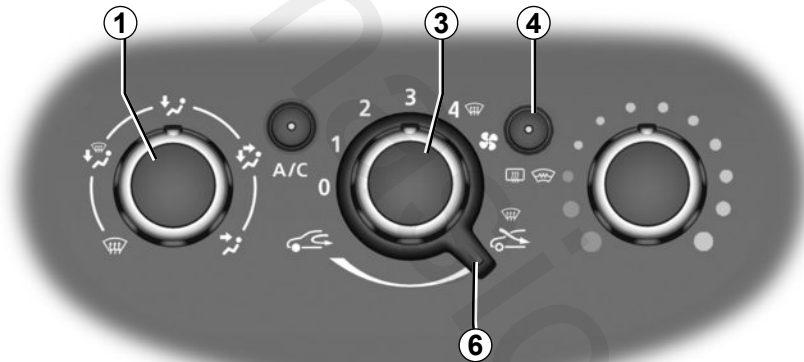
Turn control **3** from 0 to 4. The further to the right it is positioned, the more air is blown into the passenger compartment. If you want to shut off the flow of air completely and stop the system, set control **3** to 0.

The system is deactivated: the ventilation speed for the passenger compartment air is zero (vehicle stationary), you can however still feel a slight flow of air when the vehicle is moving.


Leaving this control in position 0 for prolonged periods can lead to condensation forming on the side windows and windscreen and problems due to the use of non-renewed air in the passenger compartment.

HEATING, VENTILATION, AIR CONDITIONING (2/3)

39837



Switching passenger compartment isolation mode/ air recirculation mode on.

Bring lever **6** to position .

Under these conditions, air is taken from the passenger compartment and is recirculated, with no air being taken from outside the vehicle.

Air recirculation is used to:

- to isolate the passenger compartment from the external atmosphere (e.g. driving in polluted areas, etc.);
- to bring the passenger compartment to the desired temperature as quickly as possible.

Prolonged use of air recirculation can lead to condensation forming on the side windows and windscreen, and discomfort due to the use of non-renewed air in the passenger compartment.

You are therefore advised to return to normal mode (external air) as soon as the air recirculation function is no longer required, by turning control **6** to the right.

Rapid demisting

Turn controls **1**, **3** and **6** to positions



- air from the outside;
- maximum fan speed;
- demisting.

Using the climate control increases the speed of demisting.



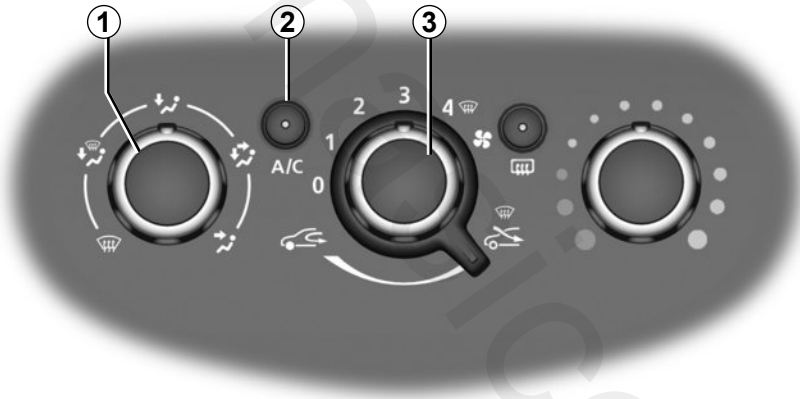
Heated rear windscreen/ Heated windscreen

With the engine running, press button **4** (the warning light comes on).

Depending on the vehicle, this function de-ices/demists the rear windscreen, the electric rear-view mirrors and the windscreen.

Depending on the vehicle, the function is stopped:

- automatically after a period of time set by the system (warning light goes out);
- by pressing button **4** again (the warning light goes out).



Distribution of air in the passenger compartment

Turn control **1** to choose the distribution option.



All the air flow is directed to the dashboard vents.



The air flow is directed towards the dashboard vents and the footwells.



The air flow is mainly distributed between the front and rear footwells and the dashboard vents. Close the dashboard vents to direct all the air to the foot wells.



The air flow is distributed between all the air vents, the front side window demisting air vents, the windscreen demisting vents and the footwells.



All the air is then directed to the windscreen and front side window demisting vents.

Switching air conditioning on or off

The air conditioning is switched on (indicator light illuminated) or off (indicator light extinguished) using button **2**.

Activation is not possible if control **3** is set to 0.

The air conditioning system is used for:

- lower the temperature inside the passenger compartment;
- eliminate condensation more quickly.

The air conditioning does not operate when the exterior temperature is low.

Fuel consumption increases when the air conditioning is being used (switch it off when it is not required).

AIR CONDITIONING: information and advice on use

Fuel consumption

You will normally notice an increase in fuel consumption (especially when driving in town) when the air conditioning is operating.

For vehicles fitted with air conditioning with no automatic mode, switch off the system when it is not required.

Advice for reducing consumption and helping to preserve the environment

Drive with the air vents open and the windows closed.

If the vehicle has been parked in the sun, open the doors for a few moments to let the hot air escape before starting the engine.

Maintenance

Refer to the Maintenance Document for your vehicle for the inspection frequency.

Operating faults

As a general rule, contact your approved dealer in the event of an operating fault.

– Reduction in de-icing, demisting or air conditioning performance.

This may be caused by the passenger compartment filter cartridge becoming clogged.

– No cold air is being produced.

Check that the controls are set correctly and that the fuses are sound. Otherwise, switch off the system.

Presence of water under the vehicle. After prolonged use of the air conditioning system, it is normal for water to be present under the vehicle. This is caused by condensation.



Do not open the refrigerant fluid circuit. The fluid may damage eyes or skin.

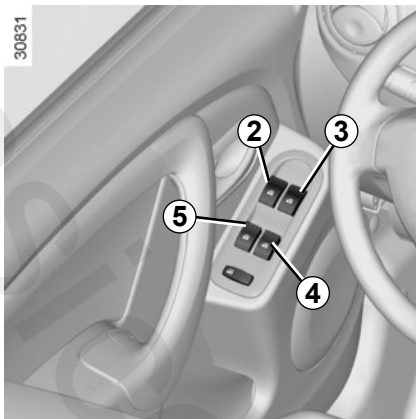
ELECTRIC WINDOWS (1/3)



Manual window winders

Turn the handle **1** to lower or raise the window to the desired height.

Avoid resting any objects against a half-open window: there is a risk that the electric window winder could be damaged.



Electric windows

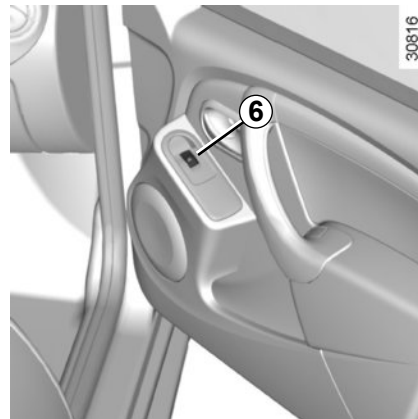
With the ignition on, press the switch to lower the window to the required level;

Lift the switch to raise the window to the desired height.

From the driver's seat

Operate the switches as follows:

- **2** for the driver's side;
- **3** for the front passenger side;
- **4** and **5** for the rear passengers.



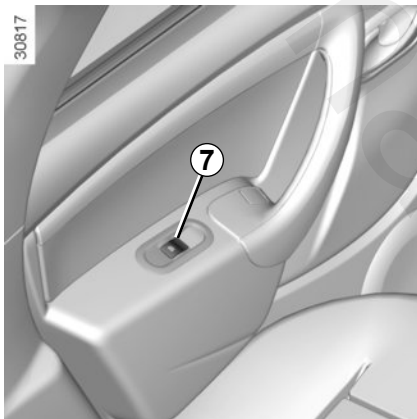
From the front passenger seat

Operate switch **6**.



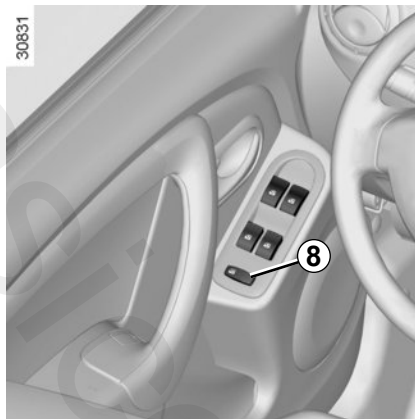
Closing windows can cause serious injury.

ELECTRIC WINDOWS (2/3)



From the rear seats

Operate switch 7.



Safety of rear occupants

The driver can prevent operation of the rear electric windows by pressing switch 8.

Driver's responsibility

Never leave your vehicle with the key inside, and with a child, adult who is not self-sufficient or a pet, even for a short while. They may pose a risk to themselves or to others by starting the engine or activating equipment (such as the gear lever or electric windows). If any part of the body becomes trapped, reverse the direction of the window immediately by pressing the relevant switch.

Risk of serious injury.

ELECTRIC WINDOWS (3/3)

One-touch windows

When the vehicle is equipped with this function, the one-touch mode works in addition to the operation of the electric windows described previously.

It is only fitted to the driver's window.

- **Fully and briefly press down** on the relevant switch down: the window will open completely.
- **Fully and briefly lift** the relevant switch: the window will close completely.

Pressing the switch again while the window is moving will stop its movement.

Special features

If the window detects resistance when closing (e.g.: branch of a tree, etc.) it stops and then lowers again by a few centimetres.

If you use the switch while the window is moving, it stops working.

Operating faults

In case of a fault when closing a window, the system reverts to normal mode: pull the switch concerned up to fully close the window, then hold the switch (still on the closure side) for three seconds then lower and raise the window fully to reinitialise the system.

If necessary, contact an approved Dealer.

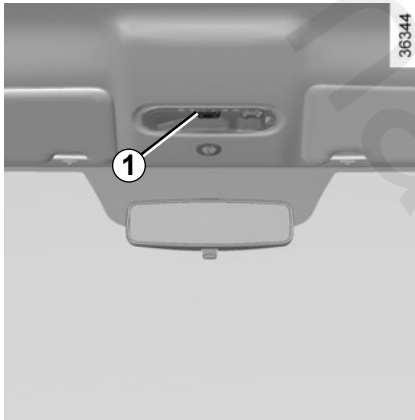


When closing the windows, ensure that no part of the body (arm, hand, etc.) is protruding from the vehicle.

Risk of serious injury.

Avoid resting any objects against a half-open window: there is a risk that the electric window could be damaged.

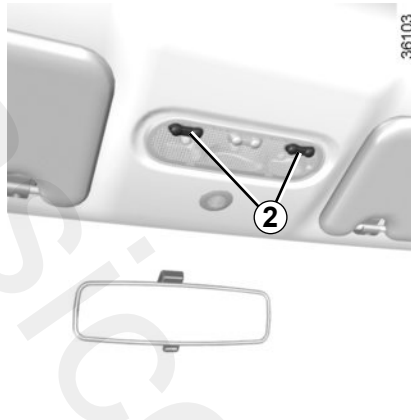
INTERIOR LIGHTING (1/2)



Courtesy light

Pressing switch **1** provides:

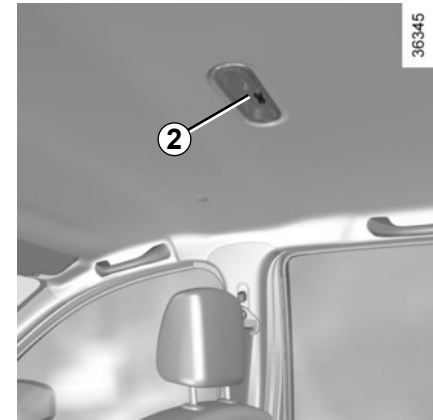
- continuous lighting;
- or temporary lighting by opening one of the front doors, or by opening one of the four doors, depending on the vehicle. The light only goes out when the doors are correctly closed;
- no lighting.



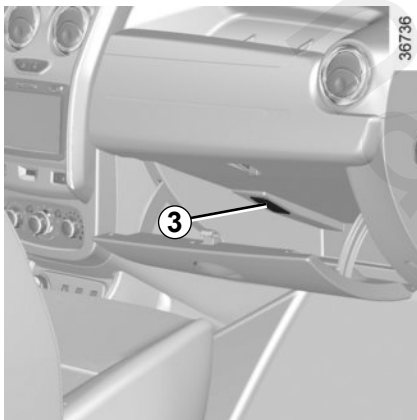
Map reading lights

Pressing switch **2** provides:

- continuous lighting;
- no lighting.

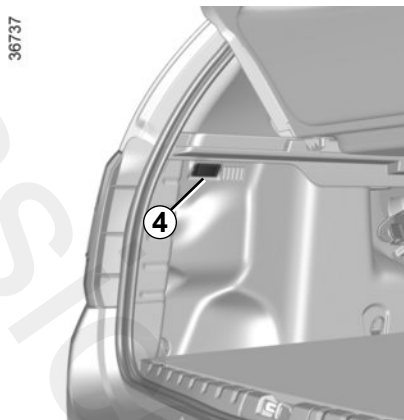


INTERIOR LIGHTING (2/2)



Glovebox light 3

Light 3 comes on when the cover is opened.



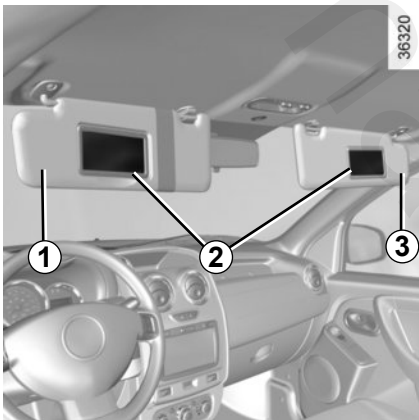
Boot light 4

The light 4 comes on when the boot is opened.

Automatic operation of interior lighting (depending on the vehicle)

- if the doors are unlocked using the remote control, the lighting is switched on for approximately 30 seconds.
- If a door is open (or not properly closed), the lighting is switched on for approximately 3 to 30 minutes.
- if all the doors are closed, the lighting start to dim when the ignition is switched on.

SUN VISOR/GRAB HANDLE

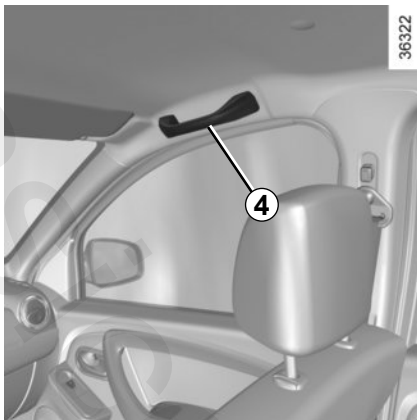


Sun visor

Lower the sun visor **1** or **3** over the windscreen or unclip it and turn it over the side window.

Courtesy mirrors **2**

Depending on the vehicle, the sun visors are fitted with a courtesy mirror.

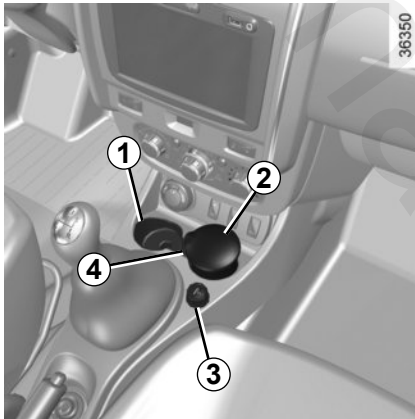


Grab handle **4**

This offers support and can be held when the vehicle is being driven.

Do not use these for getting into or out of the vehicle.

ASHTRAYS/CIGAR LIGHTER/ACCESSORIES SOCKET



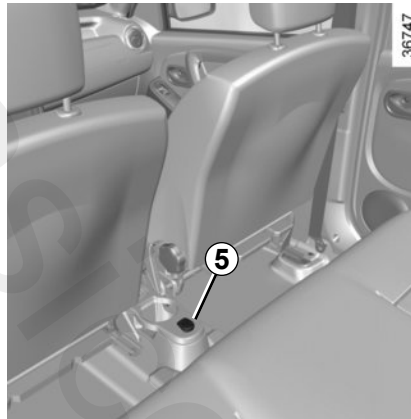
Ashtray

It can be housed in either position **1** or **4**.

Lift the cover **2** to open.

Remove the ashtray to empty it.

If your vehicle is not fitted with a cigar lighter and an ashtray, these can be obtained from an approved Dealer.



Cigarette lighter **3**

With the ignition on, push in the cigarette lighter **3**.

It will spring back with a click when it is ready. Pull it out to use. After use, replace it without pushing it all the way in.

Accessories sockets **3** and **5**

The sockets are provided for connecting accessories approved by our Technical Department.

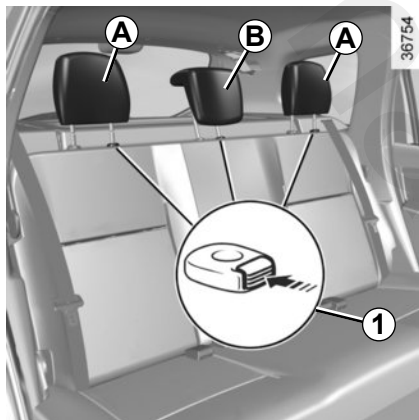


Connect accessories with a maximum power of 120 Watts (12 V) only.

When several accessory sockets are used at the same time, the total power of the connected accessories must not exceed 180 watts.

Fire hazard.

REAR HEADRESTS



To remove the headrests **A** or **B**

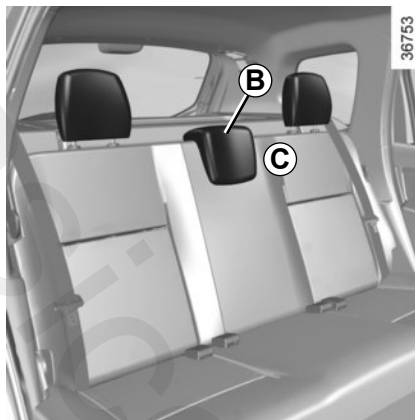
Raise the headrest as far as it will go, then press button **1** and remove the headrest.

To adjust the height of the headrest **A** (depending on vehicle)

Press the button **1** and simultaneously slide the headrest to the desired height.

To reinstall the headrests **A** or **B**

Insert the rods in the holes, press button **1**, lower the headrest and check that it is securely in place.



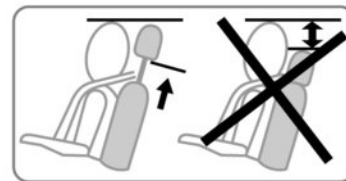
Position for using the headrest **B** (depending on vehicle)

Lift the headrest to maximum height, then lower it until it locks.

Storage position for the headrest **B** (depending on vehicle)

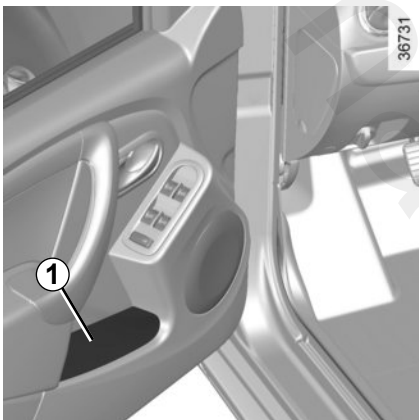
Press the button **1** and lower the headrest completely.

When the headrest is set at the lowest position (position C), this is for storage only: it should not be in this position when a seat is occupied.

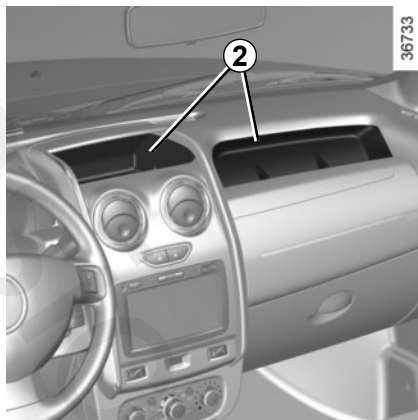


The headrest is a safety component. Ensure that it is fitted and in the correct position: the top of your head should be in line with the top of the headrest.

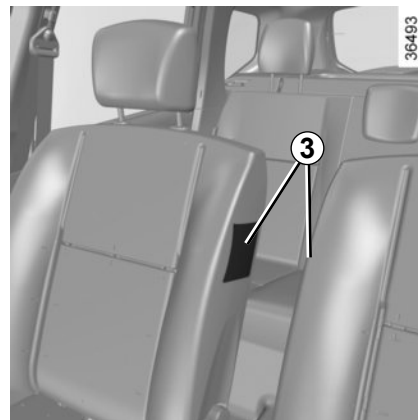
PASSENGER COMPARTMENT STORAGE SPACE AND FITTINGS (1/4)



Front door storage compartments 1



Dashboard upper storage compartment 2



Mobile phone storage compartment 3
(depending on the vehicle)



Nothing should be placed on the floor area in front of the driver as such objects may slide under the pedal during braking manoeuvres, thus obstructing its use.



Ensure that no hard, heavy or pointed objects are placed in the "open" storage compartments in such a way that they may fall onto passengers during sudden turning, braking or in the event of an accident.



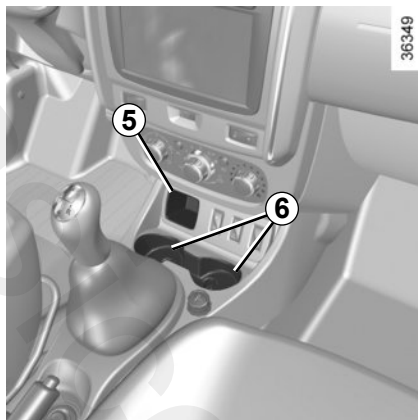
Do not hang any heavy and/or sharp objects which may fall whilst driving.
Risk of injury.

PASSENGER COMPARTMENT STORAGE SPACE AND FITTINGS (2/4)



Centre console storage compartment 4

(or radio location)



Centre console storage compartment 5

(or location of the 4x2 (2WD) and 4X4 (4WD) mode selector)

Locations for cup holder or ashtray 6.



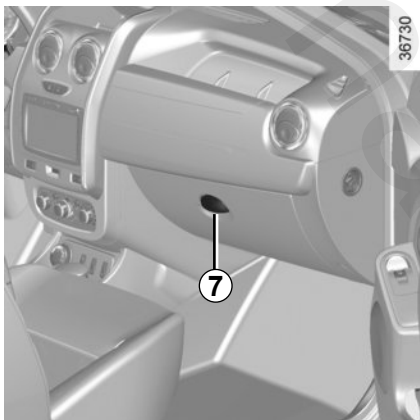
When cornering, accelerating or braking, ensure that the cup does not spill.

There is a risk of burning if hot liquid escapes.



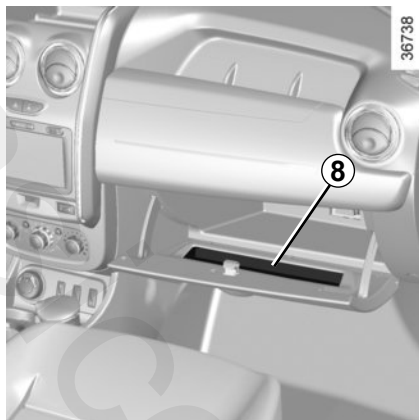
Ensure that no hard, heavy or pointed objects are placed in the “open” storage compartments in such a way that they may fall onto passengers during sudden turning, braking or in the event of an accident.

PASSENGER COMPARTMENT STORAGE SPACE AND FITTINGS (3/4)



Passenger side glove box

Pull handle 7 to open it.



This glove box can be used to store A4 format documents.

Inside the cover, a section 8 has been provided for pens, maps, etc.



Precautions during use

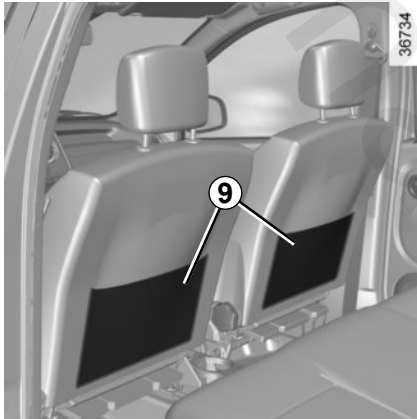
Cover A in the bottom of the glove box protects a socket reserved exclusively for operations by the approved dealer network

You should therefore avoid keeping liquids in this compartment (there is a risk of liquid leaking and getting into this socket).

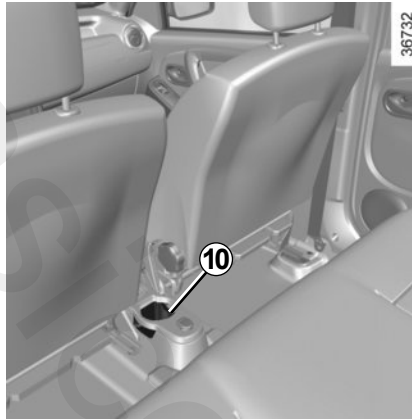


Nothing should be placed on the floor area in front of the driver as such objects may slide under the pedal during braking manoeuvres, thus obstructing its use.

PASSENGER COMPARTMENT STORAGE SPACE AND FITTINGS (4/4)



Front seat storage pockets 9



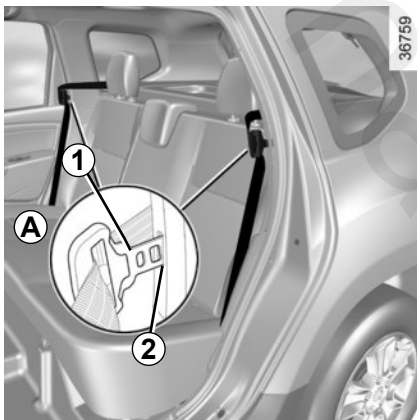
Bottle holders 10

It can hold a 1.5 litre bottle.



Ensure that no hard, heavy or pointed objects are placed in the “open” storage compartments in such a way that they may fall onto passengers during sudden turning, braking or in the event of an accident.

REAR BENCH SEAT (1/3)



Depending on the vehicle, the seat **A** and the seatback **B** or **C** may be folded away to allow bulky objects to be carried.

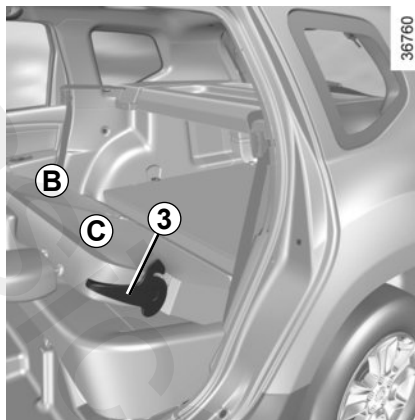
To fold the back **B** or **C**

Ensure that the front seats are far enough forward.

Insert buckles **1** into housings **2** before moving the seatback(s).



For safety reasons, carry out any adjustments when the vehicle is not being driven.



Lower the rear headrests completely (refer to the information on the “Rear headrests” in Section 3).

Lower handle(s) **3**.

Lower the seatback **B** or **C**.

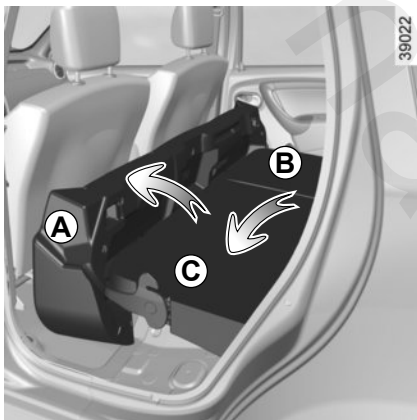


Check that the rear seat belts are positioned and operating correctly each time the rear bench seat is moved.



When moving the rear bench seat, ensure that nothing obstructs the anchorage points (part of the body, a pet, gravel, cloth, toys, etc.).

REAR BENCH SEAT (2/3)



To fold away the seat base

Tilt the seat base **A** against the front seats.

To fold the back **B** or **C**

Press the tab and lift the headrest to remove it.

Proceed as described above.



For safety reasons, carry out any adjustments when the vehicle is not being driven.

To reposition the seat back **B** or **C**

Lift the seatback(s).

Check the seatbacks are correctly locked in position.

Refit the rear headrests (refer to the information on the “Rear headrests” in Section 3).



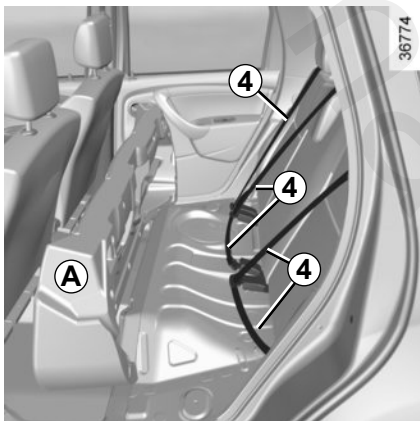
When refitting the seat-back, make sure it is correctly locked in place.

If seat covers are fitted, make sure these do not prevent the seatback latch from locking in. Make sure that the seat belts are positioned correctly. Reposition the headrests.



Check that the rear seat belts are positioned and operating correctly each time the rear bench seat is moved.

REAR BENCH SEAT (3/3)

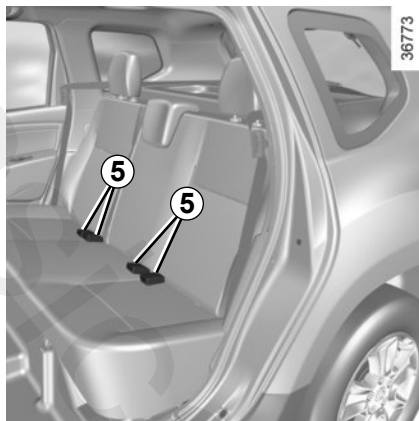


To reposition the seat A in place

Fasten all of the rear seat belts before refitting the seat base (refer to the information on the “Rear seat belts” in Section 1).

Push down the seat base until it comes into contact with the seatback(s).

Check that the seat belt stalks 5 are positioned correctly when refitting the seat base: to do this, pull the straps 4 so that all the seat belt stalks 5 are on top of the folded down seat base.



Unbuckle all of the rear seat belts and position them correctly (refer to the information on the “Rear seat belts” in Section 1).

Check that the four Isofix mounting rings are on top of the seat base after it is folded down; refer to the information on “Child safety: Mounting a child seat” in section 1.

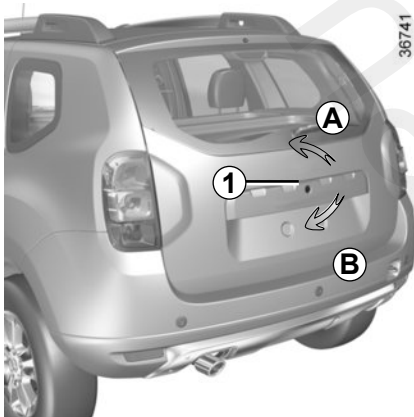


Check that the rear seat belts are positioned and operating correctly each time the rear bench seat is moved.



When moving the rear bench seat, ensure that nothing obstructs the anchorage points (part of the body, a pet, gravel, cloth, toys, etc.).

TAILGATE



Manual control

To open, insert the key in the lock and turn it (movement **A**).

Remove the key and press button **1**. Lift the tailgate.

To close, lower the tailgate using interior handle **2** to help at first.

Once you have lowered the tailgate to shoulder height, release the interior handle and finish closing the tailgate by pressing down on the tailgate from the outside.

Insert the key in the lock and turn it (movement **B**).



Electric central locking

The tailgate is locked and unlocked at the same time as the doors.

To open, press the button **1** and lift the tailgate.

To close, lower the tailgate using interior handle **2** to help at first.

Once you have lowered the tailgate to shoulder height, release the interior handle and finish closing the tailgate by pressing down on the tailgate from the outside.

TRANSPORTING OBJECTS IN THE BOOT (1/2)

Always position the objects transported so that the largest surface is against:

– the rear bench seatbacks, for normal loads (eg: **A**);



– the front seats when the rear seats are folded down. Refer to the information on the “Rear bench seat: functions” in this section (eg: **B**).



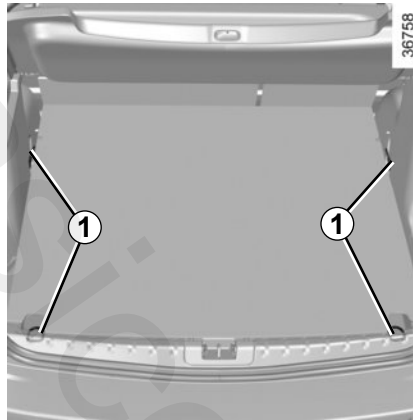
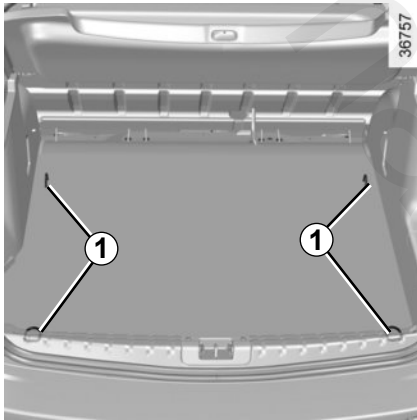
Always position the heaviest items directly on the floor.

Always place objects being transported so that the heaviest items are resting against the back of the rear bench seat.



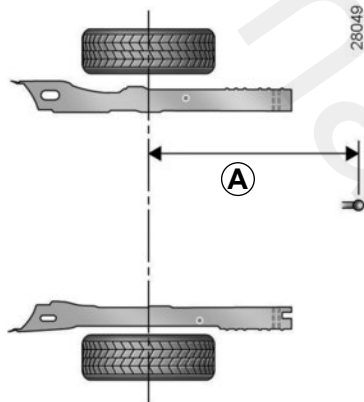
Fasten the rear seat belts, even if the seats are not occupied.

TRANSPORTING OBJECTS IN THE BOOT (2/2)



Always position the heaviest items directly on the floor. Use the lashing points **1** on the boot floor, if these are fitted to the vehicle. The luggage should be loaded in such a way that no items will be thrown forward and strike the occupants if the driver has to brake suddenly.

TRANSPORTING OBJECTS towing, attachments



A = 950 mm maximum



Permissible nose weight, maximum permissible towing weight braked and unbraked :

Refer to the information on “Weights” in Section 6.

Choice and fitting of towing equipment

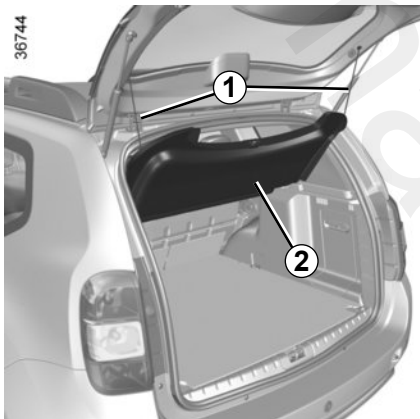
Maximum weight of towing equipment: 20 kg.

Refer to the manufacturer’s instructions for information on how to fit and operate the towing equipment. Please keep these instructions with the rest of the vehicle documentation.

If the towbar ball obscures the registration plate or the rear lights, it should be removed when not in use.

In all cases, comply with local legislation.

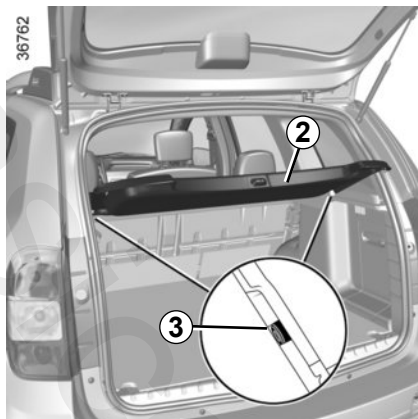
REAR PARCEL SHELF



The parcel shelf **2** is made up of two rigid sections.

Removal

Unhook the two cords **1** from the boot door.



Lift the parcel shelf **2** to half height and unclip the mountings **3** located on each side of the parcel shelf.



Gently lift the parcel shelf **2** and pull it towards you, holding it at each end.

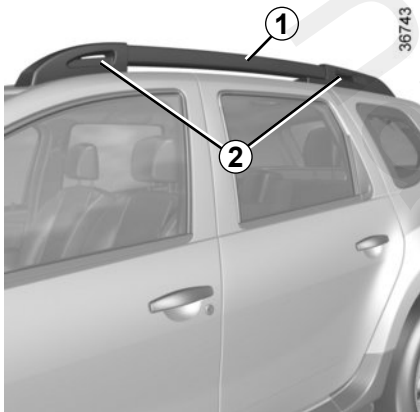
To refit, proceed in the reverse order to removal.

Maximum weight on rear parcel shelf: 25 kg, evenly distributed.



Do not place any objects, especially heavy or hard objects, on the parcel shelf. These may pose a risk to the vehicle occupants if the driver has to brake suddenly or if the vehicle is involved in an accident.

LONGITUDINAL ROOF BARS



If fitted on the vehicle, you can transport luggage or additional equipment (bike racks, ski racks, etc):

- on a roof rack;
- on transverse roof bars which must in turn be attached to roof bars fitted lengthways **1**;
- directly onto the longitudinal roof bars.

It is forbidden to fit longitudinal roof bars on vehicles which are not originally equipped with them.

If fitted to the vehicle, you can use the mounting holes **2** of the longitudinal bars to:

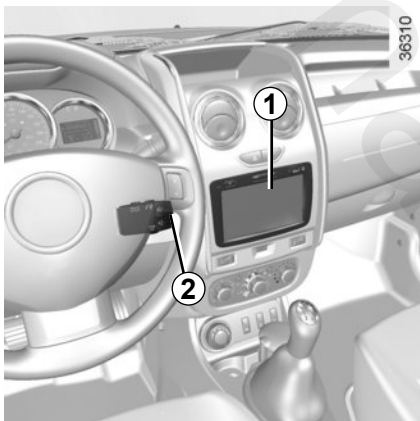
- use luggage restraint systems (straps, cords, etc.);
- attach additional items without using the transverse roof bars.

For information on the range of equipment adapted to your vehicle, we advise you to consult an approved Dealer. Refer to the manufacturer's instructions for information on how to fit and operate the equipment.

Please keep these instructions with the rest of the vehicle documentation.

Maximum permissible load on roof rack: refer to the information on "Weights" in Section 6.

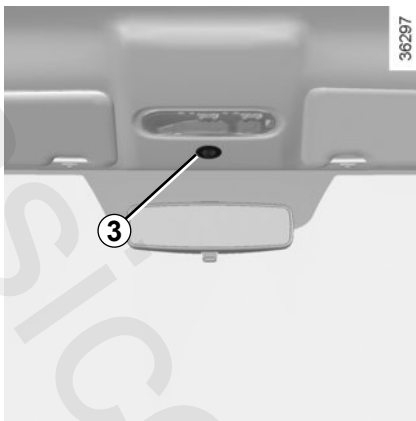
MULTIMEDIA EQUIPMENT



The presence and location of this equipment depends on the vehicle's multimedia equipment.

- 1 Radio or navigation system
- 2 Steering column control;
- 3 Microphone.

Please refer to the instruction manual for details of how it works.



Hands-free telephone integrated control

On equipped vehicles, use microphone 3 and steering column control 2.



Using the telephone

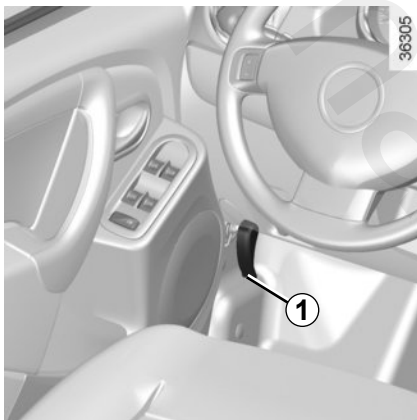
We remind you of the need to conform to the legislation in force concerning the use of such equipment.

nasicoolele.ir

Section 4: Maintenance

Bonnet	4.2
Engine oil level: general information	4.4
Engine oil level: topping up/filling	4.5
Levels:	4.8
Brake fluid level	4.8
Engine coolant	4.9
Power-assisted steering pump	4.10
Windscreen washer reservoir	4.10
Filters	4.11
Tyre pressure	4.12
Battery	4.14
Bodywork maintenance	4.16
Interior trim maintenance	4.18

BONNET (1/2)



To open the bonnet, pull handle **1**.

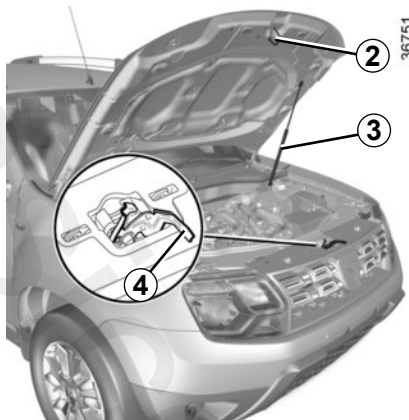
Unlocking the bonnet catch

To unlock, raise the bonnet slightly and release hook **2** by pushing tab **4** to the left.



The engine may be hot during operations in close proximity. In addition, the engine cooling fan may come on at any moment.

Risk of injury.



Opening the bonnet

Lift the bonnet and guide it upwards; it is held by strut **3**.

Closing the bonnet

Check that nothing has been left in the engine compartment.

To close the bonnet again, hold the bonnet in the middle and lower it to 30 cm above the closed position, then release it. It will latch automatically under its own weight.



Deactivate the Stop and Start function for any operation performed in the engine compartment.



When working in the engine compartment, ensure that the windscreen wiper stalk is in the park position.

Risk of injury.



Do not press down on the bonnet: there is a risk that the bonnet may accidentally close.

BONNET (2/2)



Never activate the remote engine start-up function or its programming before opening the bonnet or when it is open.

Risk of burns or serious injury.



Make sure nothing is left in the engine compartment (cloth, tools, etc.).

Otherwise, this may lead to engine damage or cause a fire.



In the event of even a slight impact involving the radiator grille or bonnet, have the bonnet lock checked by an approved Dealer as soon as possible.

Ensure that the bonnet is properly locked. Check that nothing is preventing the catch from locking (gravel, cloth, etc.).

ENGINE OIL LEVEL: general information

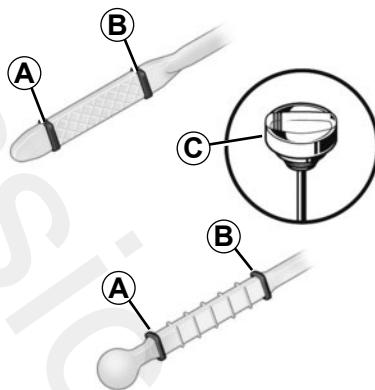
It is normal for an engine to use oil for lubrication and cooling of moving parts and it is normal to top up the level between oil changes.

However, contact your approved Dealer if more than 0.5 litres is being consumed every 600 miles (1,000 km) after the running in period.

Oil change frequency: check the oil level from time to time and certainly before any long journey to avoid the risk of damaging your engine.

Consult your approved dealer at once if you notice an abnormal or repeated drop in any of the fluid levels.

In order to prevent splashback, it is recommended that a funnel be used when topping up/filling with oil.



Reading the oil level

The oil level should be read with the vehicle on level ground, after the engine has been switched off for some time.

The dipstick must be used to read the exact oil level and make sure that the maximum level has not been exceeded (risk of engine damage). Refer to the following pages.



Deactivate the Stop and Start function for any operation performed in the engine compartment.

- remove the dipstick and wipe with a clean, lint-free cloth;
- push the dipstick in as far as it will go (for vehicles equipped with a cap-type dipstick **C**, screw the cap in as far as it will go);
- take out the dipstick again;
- read the level: it should never fall below minimum mark **A** or exceed maximum mark **B**.

Once the operation has been completed, ensure that the dipstick is pushed in as far as it will go or that the “cap-type dipstick” is completely screwed in.

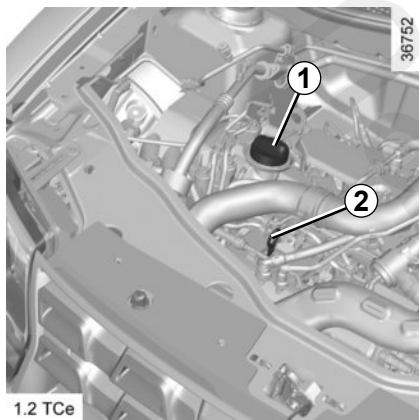


Exceeding the maximum engine oil level

Under no circumstances must the maximum fill level **B** be exceeded: risk of damage to the engine and catalytic converter.

If the oil level exceeds the maximum level, **do not start your vehicle.** Contact an authorised dealer.

ENGINE OIL LEVEL: topping up, filling (1/3)



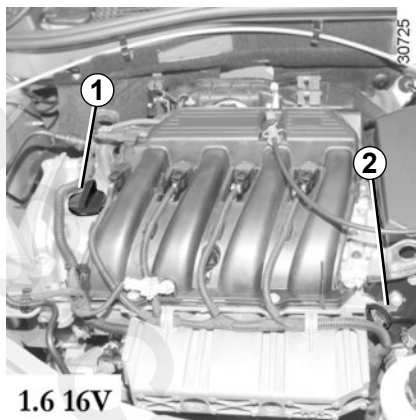
Topping up/filling

The vehicle must be parked on level ground and the engine should be cold (for instance, before the engine is started up for the first time in the day).



The engine may be hot during operations in close proximity. In addition, the engine cooling fan may come on at any moment.

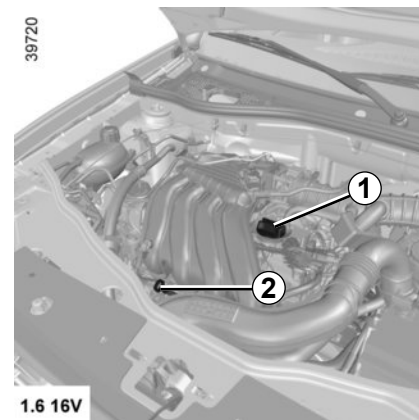
Risk of injury.



- Unscrew cap **1**;
- top up the level (as a guide, the capacity between the minimum and maximum reading on dipstick **2** is between 1.5 and 2 litres, depending on the engine);
- wait approximately 10 minutes to allow the oil to flow into the engine;
- check the level using the dipstick **2** (as described above).

Once the operation has been completed, ensure that the dipstick is pushed in as far as it will go or that the “cap-type dipstick” is completely screwed in.

Do not exceed the **MAX** level and do not forget to refit dipstick **2** and cap **1**.

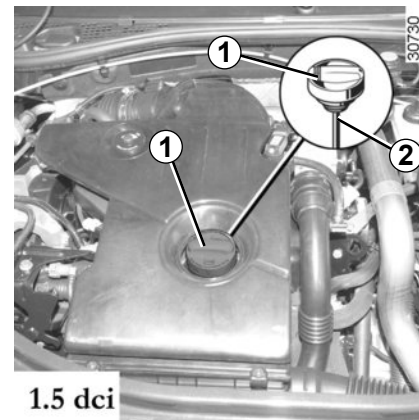
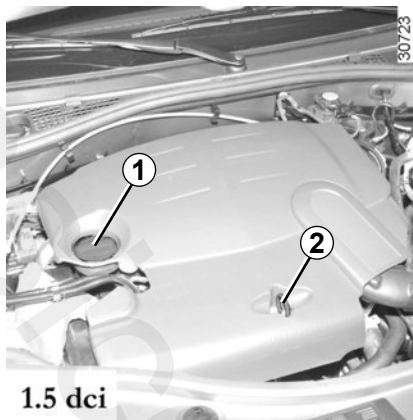
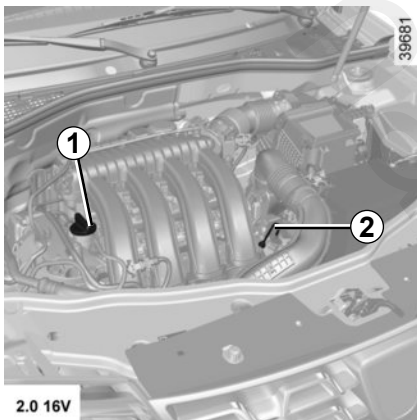


Exceeding the maximum engine oil level

Under no circumstances must the maximum fill level be exceeded: risk of damage to the engine and catalytic converter.

If the oil level exceeds the maximum level, **do not start your vehicle**. Contact an authorised dealer.

ENGINE OIL LEVEL: topping up, filling (2/3)



If there is an abnormal or repeated drop in the fluid level, please consult an authorised dealer.

In order to prevent splashback, it is recommended that a funnel be used when topping up/filling with oil.



Filling: take care when topping up the oil that no oil drips onto engine components - risk of fire. Remember to refit the cap securely as there is a risk of fire if oil splashes onto hot engine components.



Engine oil change: if you are changing the oil when the engine is hot, be careful not to scald yourself if the oil overflows.

ENGINE OIL LEVEL: topping up, filling (3/3)

Oil change

Service interval: refer to the Maintenance Document for your vehicle.

Oil change capacity

Please refer to the maintenance document for your vehicle, or contact an authorised dealer.

Always check the engine oil level using the dipstick, as explained previously (it should never fall below the minimum level, or be over the maximum level on the dipstick).

Engine oil grade

Refer to the Maintenance Document for your vehicle.



Deactivate the Stop and Start function for any operation performed in the engine compartment.

Resetting the alert after an oil change

(depending on the vehicle)

If you change the oil yourself, you will need to reset the oil change warning.

To do this, after switching on the ignition, for ten seconds you must:


- Depress the accelerator pedal fully,
- with your foot on the accelerator, depress the brake pedal three times in succession.

Reinitialisation is complete when the



indicator light goes out. If this is not the case, repeat the operation.

Special case: if you change the oil before the oil change interval exceeded warning is displayed, it will also be necessary to reset the display. In this case,

the  warning light comes on for approximately 5 seconds to confirm the reset.



Never run the engine in an enclosed space as exhaust gases are poisonous.



The engine may be hot during operations in close proximity. In addition, the engine cooling fan may come on at any moment.

Risk of injury.

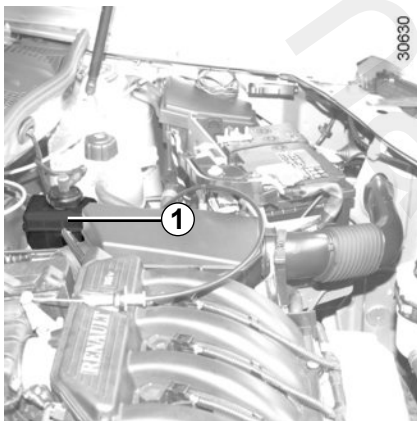


Exceeding the maximum engine oil level

Under no circumstances must the maximum fill level be exceeded: risk of damage to the engine and catalytic converter.

If the oil level exceeds the maximum level, **do not start your vehicle**. Contact an authorised dealer.

LEVELS (1/3)



Brake fluid level

This should be checked frequently, and immediately if you notice even the slightest loss in braking efficiency.

The level should be read with the engine switched off and on level ground.



The engine may be hot when carrying out operations in close proximity. In addition, the engine cooling fan can come on at any moment.

Risk of injury.

Level

It is normal for the level to drop as the brake shoes become worn, but it must never drop lower than the “**MINI**” warning line shown on brake fluid reservoir **1**.

If you wish to check the disc and drum wear yourself, you should obtain the document explaining the checking procedure from the manufacturer’s network or web site.



Deactivate the Stop and Start function for any operation performed in the engine compartment.

Topping up

After any operation on the hydraulic circuit, a specialist must replace the fluid.

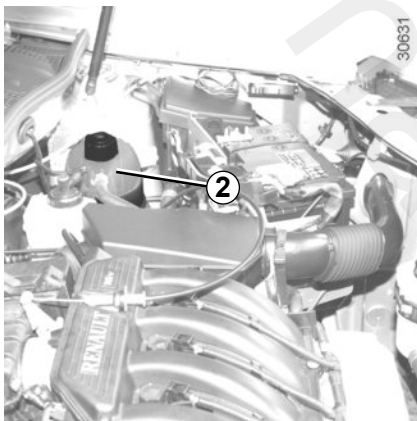
Only use fluids approved by our Technical Department (and taken from a sealed container).

Replacement intervals

Refer to the Maintenance Document for your vehicle.

Consult your approved dealer at once if you notice an abnormal or repeated drop in any of the fluid levels.

LEVELS (2/3)



Coolant

With the engine switched off and on level ground, the level **when cold** must be between the MINI and MAXI marks on reservoir **2**.

Top this level up **when cold** before it reaches the MINI mark.



No operations should be carried out on the cooling circuit when the engine is hot.

Risk of burns.

Coolant level checking frequency

Check the coolant level regularly (very severe damage is likely to be caused to the engine if it runs out of coolant).

If the level needs to be topped up, only use products approved by our Technical Department which ensure:

- protection against freezing;
- anticorrosion protection of the cooling system.

Replacement intervals

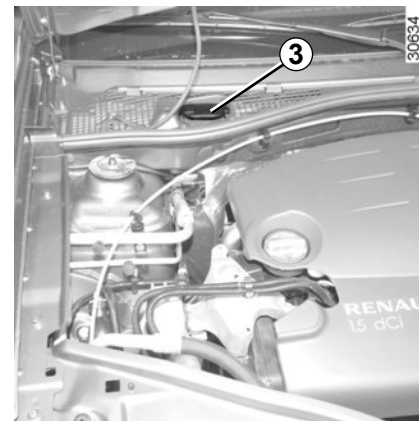
Refer to the Maintenance Document for your vehicle.

Consult your approved dealer at once if you notice an abnormal or repeated drop in any of the fluid levels.



The engine may be hot when carrying out operations in close proximity. In addition, the engine cooling fan can come on at any moment.

Risk of injury.



Windscreen washer reservoir

Filling: Remove cap **3**, fill until you can see the fluid, then refit the cap.

This reservoir supplies the front and rear screen washers.

Liquid: Special windscreen washer fluid (anti-freeze product in winter).

Jets: to adjust the angle of the jets, pivot the little ball using a pin.

Use products approved by the Technical Department.

LEVELS (3/3)

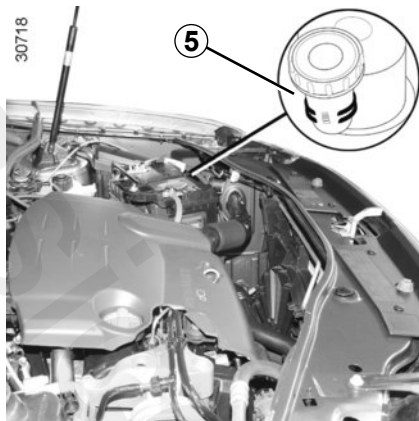


Power-assisted steering fluid reservoir 4 or 5

Level: for a correct level **when cold**, with the engine switched off and on level ground, it must be visible between the “MINI” and “MAXI” marks on reservoir 4 or 5.

For maintenance operations on the power-assisted steering, contact an approved dealer.

Consult an approved dealer at once if you notice an abnormal or repeated drop in any of the fluid levels.



If you feel any variation in the effectiveness of the power-assisted steering, consult an approved dealer.



The engine may be hot when carrying out operations in close proximity. In addition, the engine cooling fan can come on at any moment.

Risk of injury.



Deactivate the Stop and Start function for any operation performed in the engine compartment.

FILTERS

The replacement of filter elements (air filter, passenger compartment filter, diesel filter, etc.) is scheduled in the maintenance operations for your vehicle.

Replacement intervals for filter elements: refer to the Maintenance Document for your vehicle.

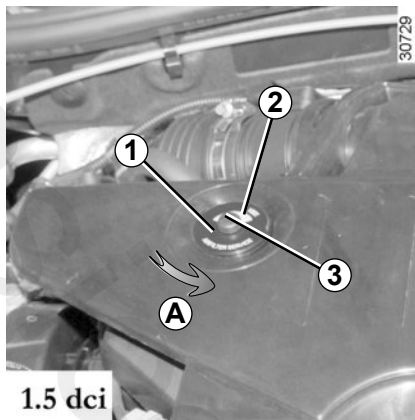
Passenger compartment filter

If your vehicle is not originally fitted with a passenger compartment filter, it is possible to have one retrofitted.

Contact an approved dealer.



Deactivate the Stop and Start function for any operation performed in the engine compartment.



1.5 dci

Air filter

If fitted to the vehicle, clogging sensor **1** allows you to see the condition of the air filter.

Replacement of the filter is scheduled in the maintenance operations: refer to your vehicle's Maintenance Document for your vehicle.

However, it must be checked regularly, especially if you drive in dusty environments.

If clogging level indicator **2** reaches 100%, consult an approved dealer as soon as possible to have the filter replaced.

Resetting the air filter clogging sensor

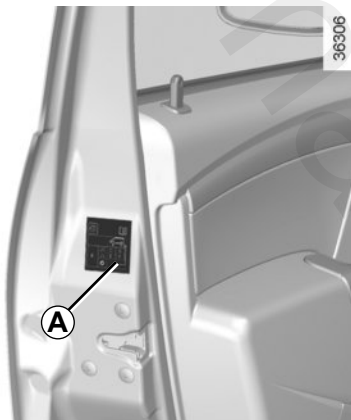
Once the air filter has been replaced, turn button **3** on the clogging sensor fully (movement **A**).



The engine may be hot when carrying out operations in close proximity. In addition, the engine cooling fan can come on at any moment.

Risk of injury.

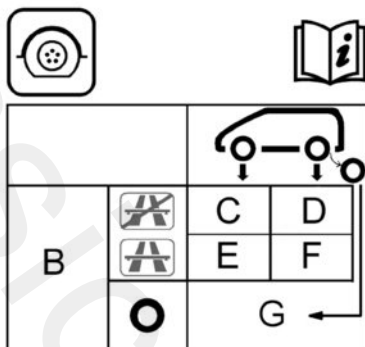
TYRE PRESSURE (1/2)



Label A

To read it, open the driver's door. Tyre pressures should be checked when the tyres are cold.

If the tyre pressures cannot be checked when the tyres are **cold**, increase the pressures from **0.2 to 0.3 bar (or 3 PSI)**.
Never deflate a hot tyre.



The presence and location of the information on the label depends on the vehicle.

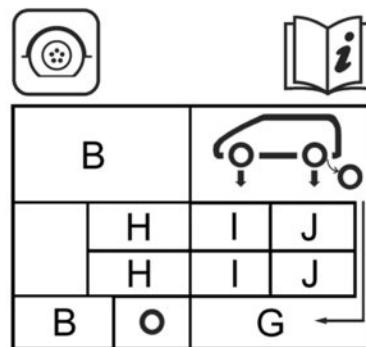
B: dimension of the tyres fitted to the vehicle.

C: tyre pressures for the front wheels (non-motorway).

D: tyre pressures for the rear wheels (non-motorway).

E: tyre pressures for the front wheels (motorway).

F: tyre pressures for the rear wheels (motorway driving).



G: tyre pressure for the emergency spare wheel.

H: intended driving speed.

I: tyre pressures for the front wheels.

J: tyre pressures for the rear wheels.


TYRE PRESSURES (2/2)

Special note concerning fully laden vehicles (Maximum Permissible All-Up Weight) **and towing a trailer:** the maximum speed must be limited to **60 mph** (100 kph) and the tyre pressure increased by **0.2 bar**.

Please refer to the information on “Weights” in Section 6.

Tyre safety and use of snow chains: Refer to the information on “Tyres” in Section 5 for the servicing conditions and, depending on the version, the use of chains.

Vehicle fitted with a tyre pressure loss warning system

If under-inflated (puncture, low pressure, etc.), the  warning light on the instrument panel comes on. See “Tyre pressure loss warning” paragraph in chapter 2.



For your safety, please respect the speed limit.

When they need to be replaced, only tyres of the same make, size, type and profile should be used on a single axle.

They must: either have a load capacity and speed rating at least equal to those of the original tyres, or conform to those recommended by an authorised dealer.

Failure to heed these instructions could endanger your safety and affect your vehicle’s roadworthiness.

Risk of loss of control of the vehicle.

BATTERY (1/2)



Battery **1** does not require any maintenance. **You should not open it or add any fluid.**



Handle the battery with care as it contains sulphuric acid, which must not come into contact with eyes or skin. If it does, wash the affected area with plenty of cold water and consult a doctor, if necessary.

Ensure that naked flames, red hot objects and sparks do not come into contact with the battery as there is a risk of explosion.

The charge status of your battery can decrease especially if you use your vehicle:

- for short journeys;
- for driving in town;
- when the temperature drops;
- after extended use of consumers (radio etc.) with the engine switched off.

Replacing the battery

As this operation is complex, we advise you to contact an approved Dealer.



As the battery is **specific** to the vehicle (presence of a ventilation pipe to expel corrosive and explosive gases), make sure that it is replaced with a battery that enables this pipe to be connected. Please contact an authorised dealer.



Deactivate the Stop and Start function for any operation performed in the engine compartment.

BATTERY (2/2)



Label A

Observe the indications on the battery:

- 2 Naked flames and smoking forbidden;
- 3 Wear eye protection;
- 4 Keep away from children;
- 5 Explosive substances;
- 6 Refer to the handbook;
- 7 Corrosive substances.



The engine may be hot during operations in close proximity. In addition, the engine cooling fan may start at any moment.

Risk of injury.

BODYWORK MAINTENANCE (1/2)

A well-maintained vehicle will last longer. It is therefore recommended to maintain the exterior of the vehicle regularly.

Your vehicle has been treated with very effective anti-corrosion products. It is nevertheless subject to various outside influences.

Corrosive agents in the atmosphere

- atmospheric pollution (built-up and industrial areas),
- saline atmospheres (near the sea, particularly in hot weather),
- seasonal and damp weather conditions (e.g. road salt in winter, water from road cleaners, etc.).

Minor impacts

Abrasive action

Dust and sand in the air, mud, road grit thrown up by other vehicles, etc.

You should take a number of minor precautions in order to safeguard your vehicle against such risks.

What you should not do

Do not degrease or clean mechanical components (e.g. the engine compartment), underneath the body, parts with hinges (e.g. inside the doors) and painted plastic external fittings (e.g. bumpers) using high-pressure cleaning equipment or by spraying on products not approved by our Technical Department. Doing this could give rise to corrosion or operational faults.

Wash the vehicle in bright sunlight or freezing temperatures.

Do not scrape off mud or dirt without pre-wetting.

Allow dirt to accumulate on the exterior.

Allow rust to form following minor impacts.

Do not use solvents not approved by our Technical Department to remove stains as this could damage the paintwork.

Do not drive in snow or muddy conditions without washing the vehicle, particularly under the wheel arches and body.

You should

Wash your car frequently, **with the engine off**, with cleaning products recommended by the manufacturer (never use abrasive products). Rinse thoroughly beforehand with a jet:

- spots of tree resin and industrial grime;
- mud in the wheel arches and underneath the body which forms damp patches;
- **bird droppings**, which cause a chemical reaction with the paint that **rapidly discolours paintwork and may even cause the paint to peel off**;
- wash the vehicle **immediately** to remove these marks since it is impossible to remove them by polishing;
- salt, particularly in the wheel arches and underneath the body after driving in areas where the roads have been gritted.

Remove any plant matter (resin, leaves, etc.) from the vehicle regularly.

BODYWORK MAINTENANCE (2/2)

Respect local regulations about washing vehicles (e.g. do not wash your vehicle on a public highway).

Observe the vehicle stopping distances when driving on gravelled surfaces to prevent paint damage.

Repair, or have repaired quickly, areas where the paint has been damaged, to prevent corrosion spreading.

Remember to visit the body shop periodically in order to maintain your anti-corrosion warranty. Refer to the Maintenance Document.

If it is necessary to clean mechanical components, hinges, etc., spray them with products approved by our Technical Department to protect them after they have been cleaned.

We have selected special products to care for your vehicle and you can obtain these from the manufacturer's accessory outlets.

Vehicles with a matte paint finish

This type of paint requires certain precautions.

Do not do the following

- use wax-based products (polishing);
- rub hard;
- wash the vehicle in a roller-type car wash;
- wash the vehicle using a high-pressure device;
- attach stickers to the paintwork (risk of leaving marks).

You should do the following

Wash the vehicle by hand using plenty of water, using a soft cloth or a gentle sponge.

Using a roller type car wash

Return the windscreen wiper stalk to the Park position (refer to the information on the “Windscreen washer, wiper” in Section 1). Check the mounting of external accessories, additional lights and mirrors, and ensure that the wiper blades are secured with adhesive tape. Remove the radio aerial mast if your vehicle is fitted with this equipment. Remember to remove the tape and refit the antenna after washing.

Cleaning the headlights

As the headlights are made of plastic “glass”, use a soft cloth or cotton wool to clean them. If this does not clean them properly, moisten the cloth with soapy water, then wipe clean with a soft damp cloth or cotton wool. Finally, carefully dry off with a soft dry cloth.

Cleaning products containing alcohol must not be used.

INTERIOR TRIM MAINTENANCE (1/2)

A well-maintained vehicle will last longer. It is therefore recommended to maintain the interior of the vehicle regularly.

A stain should always be dealt with swiftly.

Whatever type of stain is on the trim, use **cold** (or warm) **soapy water with natural soap**.

Detergents (washing-up liquid, powdered products, alcohol-based products) should not be used.

Use a soft cloth.

Rinse and soak up the excess.

Glass instrument panel

(e.g.: instrument panel, clock, exterior temperature display, radio display, multimedia or multifunction display etc.)

Use a soft cloth (or cotton wool).

If this does not clean them properly, use a soft cloth (or cotton wool) slightly moistened with soapy water and then wipe clean with another soft damp cloth or cotton wool.

Finally, **carefully** dry off with a soft dry cloth.

Do not use products containing alcohol and/or spray fluids on the area.

Seat belts

These must be kept clean.

Use products selected by our Technical Department (Approved outlets) or warm, soapy water and a sponge and wipe with a dry cloth.

Detergents or dyes must not be used under any circumstances.

Textiles (seats, door trim, etc)

Vacuum-clean the textiles **regularly**.

Liquid stain

Use soapy water.

Dab lightly (never rub) with a soft cloth, rinse and remove the excess.

Solid or pasty stain

Carefully remove the excess solid or pasty material **immediately** with a spatula (working from the edges to the centre to avoid spreading the stain). Clean as for a liquid stain.

Special instructions for sweets or chewing gum

Put an ice cube on the stain to solidify it, then proceed as for a solid stain.

For further recommendations for maintaining the interior, and/or for any unsatisfactory results, please see an authorised dealer.

INTERIOR TRIM MAINTENANCE (2/2)

Removal/replacing removable equipment originally fitted in the vehicle

If you need to remove equipment in order to clean the passenger compartment (for example, mats), always ensure that they are correctly refitted and are the right way around (the driver's mat should be fitted on the driver's side, etc.) and fit them with the components supplied with the equipment (for example, the driver mat should always be fixed using the pre-fitted mounting components).

With the vehicle stationary, always ensure that nothing will impede driving (anything obstructing the pedals, heel wedged by the mat etc.).

You should not:

You are strongly advised not to position objects such as deodorants, scents, etc. near air vents, as this could damage your dashboard trim.



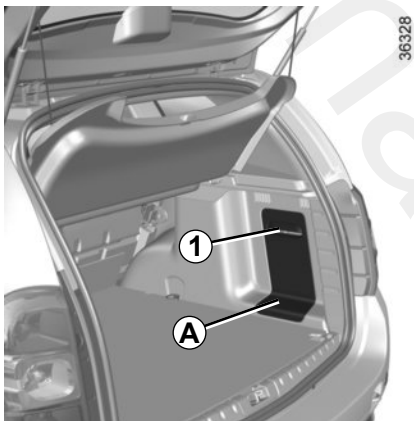
You are strongly recommended not to use high-pressure or spray cleaning equipment inside the passenger compartment: use of such equipment could impair the correct functioning of the electrical or electronic components in the vehicle, or have other detrimental effects.

basic.ele.c.ir

Section 5: Practical advice

Tools	5.2
Puncture	5.3
Tyre inflation kit	5.5
Wheel trim/Wheels	5.9
Changing a wheel	5.10
Tyres	5.12
Changing bulbs	5.16
Front lights	5.16
Fog lights	5.17
Rear lights	5.18
Side indicator lights	5.23
Interior lights.	5.24
Fuses.	5.28
Battery: troubleshooting.	5.36
Radio frequency remote control: batteries.	5.38
Wiper blades	5.39
Towing: breakdown	5.40
Fitting a radio.	5.43
Accessories	5.44
Operating faults	5.45

TOOLS

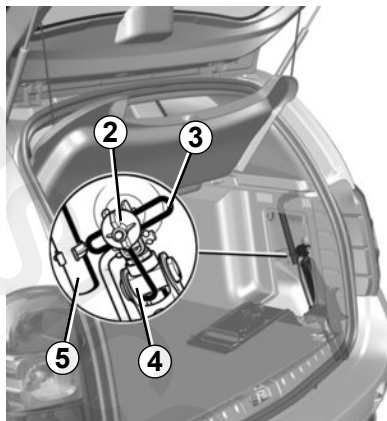


Accessing the tools

The tools are located in the luggage compartment. The presence of the various tools depends on the vehicle.

Unclip the flap **A** by placing your hand in the handle **1**. Remove the flap.

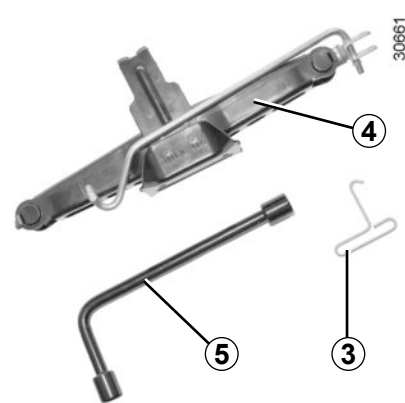
After the using the tools, make sure you close the flap **A**. properly.



Jack 4

To use the jack, undo nut **2**. When refitting, fold the jack before placing it in its housing.

Tighten the nut to secure the jack.



Wheelbrace 5

This is used to tighten/loosen the wheel bolts and, depending on the vehicle, to access the emergency spare wheel.

Hubcap tool 3

This tool is used to remove the wheel trims.



Do not leave the tools unsecured inside the vehicle as they may come loose under braking. After use, make sure the tools are correctly positioned in their housings: risk of injury.

If wheel bolts are supplied in the tool kit, only use these bolts for the emergency spare wheel: refer to the label affixed to the emergency spare wheel. The jack is designed for wheel changing purposes only. Under no circumstances should it be used for carrying out repairs underneath the vehicle or to gain access to the underside of the vehicle.

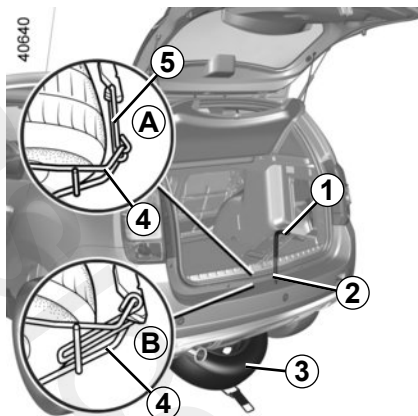
PUNCTURE (1/2)

In the event of a puncture, depending on the vehicle, you will have:

An emergency spare wheel or tyre inflation kit (refer to the information on the following pages).



If the emergency spare wheel has been stored for several years, have it checked by your Dealer to ensure that it is safe to use.



Emergency spare wheel 4x2 version (2WD)

This is placed in cage **4** underneath the vehicle.

To take out the emergency spare wheel:

- Open the tailgate;
- undo bolt **2** using wheelbrace **1** (refer to the information on “Tools” in this section);
- detach the holder **4** taking it by the handle **5** (example **A**) or depending on the vehicle, detach the holder **4** (example **B**);
- remove the emergency spare wheel **3**.

To store the wheel in the cage:

- Place the punctured tyre in the sub-frame **4**;
- to return the holder **4** to its initial position, proceed in reverse order and tighten the bolt using the wheelbrace **1** to refit the assembly;
- make sure it is correctly locked.

PUNCTURE (2/2)



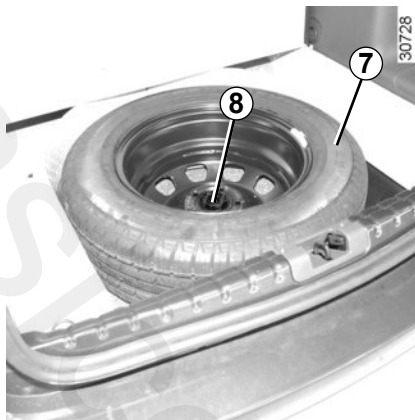
Emergency spare wheel 4x4 version (4WD)

This is located in the luggage compartment.


To access it:

- Open the tailgate;
- fold the luggage compartment mat **6**;
- unscrew the central mounting **8**;
- remove the emergency spare wheel **7**.

Note: ensure that the emergency spare wheel or punctured wheel and the wheel tray are correctly positioned so that the luggage compartment carpet can be properly fitted.




Vehicle fitted with a tyre pressure loss warning system

If under-inflated (puncture, low pressure, etc.), the warning light  lights up on the instrument panel. See “Tyre pressure loss warning” in Section 2.



If the emergency spare wheel has been stored for several years, have it checked by your Dealer to ensure that it is safe to use.

Vehicles fitted with an emergency spare wheel which is different to the four other wheels:

- Never fit more than one emergency spare wheel to the same vehicle.
- Replace the emergency spare wheel as soon as possible with a wheel identical to the original one.
- When this is fitted to the vehicle, which must only be a temporary measure, the driving speed must not exceed the speed indicated on the label on the wheel.
- Fitting an emergency spare wheel may alter the way the vehicle usually runs. Avoid sudden acceleration or deceleration and reduce your speed when cornering.
- If you need to use snow chains, fit the emergency spare wheel to the rear axle and check the tyre pressure.
- The warning light  on the instrument panel flashes for several seconds, then stays on.

TYRE INFLATION KIT (1/4)

32788



The kit repairs tyres when tread **A** has been damaged by objects smaller than 4 mm. It cannot repair all types of puncture, such as cuts larger than 4 mm, or cuts in tyre sidewall **B**.

Ensure also that the wheel rim is in good condition.

Do not pull out the foreign body causing the puncture if it is still in the tyre.



Do not attempt to use the inflation kit if the tyre has been damaged as a result of driving with a puncture.

You should therefore carefully check the condition of the tyre sidewalls before any operation.

Driving with underinflated, flat or punctured tyres can be dangerous and may make the tyre impossible to repair.

This repair is temporary

A tyre which has been punctured should always be inspected (and repaired, where possible) as soon as possible by a specialist.

When replacing a tyre repaired using this kit, you must inform the specialist. When driving, vibration may be felt due to the presence of the repair product injected into the tyre.



The kit is only approved for inflating the tyres of the vehicle initially fitted with the kit. It must never be used to

inflate the tyres of another vehicle, or any other inflatable object (rubber ring, rubber boat, etc.).

Avoid spillage on skin when handling the repair liquid bottle. If droplets do leak out, rinse them off with plenty of water.

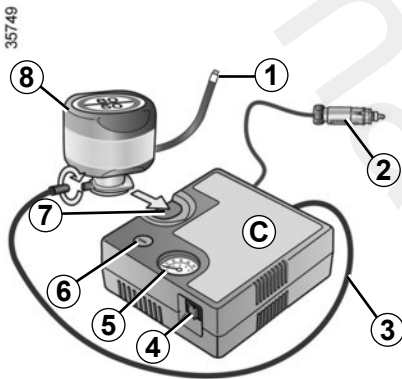
Keep the repair kit away from children.

Do not dispose of the empty bottle in the countryside. Return it to your approved dealer or to a recycling organisation.

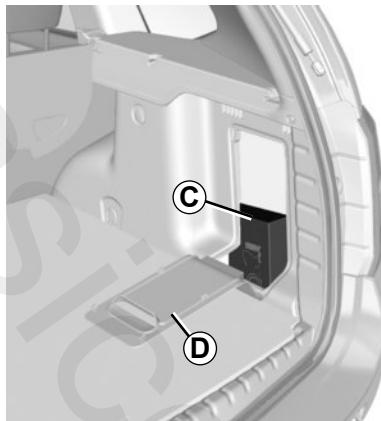
The bottle has a limited service life which is indicated on its label. Check the expiry date.

Contact an approved dealer to replace the inflation tube and repair product bottle.

TYRE INFLATION KIT (2/4)




In the event of a puncture, use the kit **C** located in the luggage compartment in the 4x2 version or in the emergency spare wheel tray under the luggage compartment carpet in the 4x4 version.



On 4x2 versions, unclip flap **D**.

Vehicle fitted with a tyre pressure loss warning system

If under-inflated (puncture, low pressure, etc.), the warning light  lights up on the instrument panel. See “Tyre pressure loss warning” in Section 2.



Before using this kit, park the vehicle at a sufficient distance from traffic, switch on the hazard warning lights, apply the handbrake, ask all passengers to leave the vehicle and keep them away from traffic.



If the vehicle is parked on the hard shoulder, you must warn other road users of your vehicle's presence with a warning triangle or with other devices as per the legislation applying to the country you are in.

TYRE INFLATION KIT (3/4)

For all vehicles, with the engine running and the handbrake applied,

- unroll the hose from the container;
- connect the compressor hose **3** to the container's inlet **8**;
- depending on the vehicle, connect the container **8** to the compressor from the container recess **7**;
- unscrew the valve cap on the relevant wheel and screw on the container's inflation adapter **1**;
- disconnect any accessories previously connected to the vehicle's accessories sockets;
- adapter **2** **must** be connected to the vehicle accessories socket;
- press switch **4** to inflate the tyre to the recommended pressure (please refer to the information in the section on "Tyre pressure");
- after a maximum of **15** minutes, stop inflating and read the pressure (on pressure gauge **5**).

Note: while the container is emptying (approximately 30 seconds), the pressure gauge **5** will briefly indicate a pressure of up to **6** bar. The pressure will then drop.

- adjust the pressure: to increase it, continue inflation with the kit; to reduce it, press button **6**.

If a minimum pressure of 1.8 bar is not reached after 15 minutes, repair is not possible; do not drive the vehicle but contact an approved dealer.



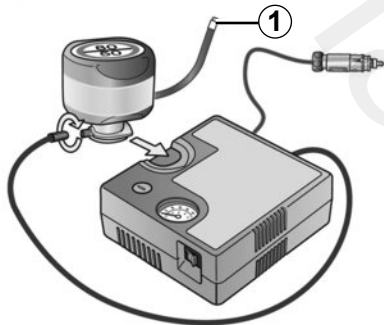
Nothing should be placed around the driver's feet as such objects may slide under the pedals during sudden braking manoeuvres and obstruct their use.



Please be aware that a poorly tightened or missing valve cap can make the tyres less airtight and lead to pressure loss. Always use valve caps identical to the original ones and ensure they are tightly screwed on.

TYRE INFLATION KIT (4/4)

35749



Once the tyre is correctly inflated, remove the kit: slowly unscrew the inflation adapter **1** to prevent any repair product from escaping and store the container in plastic packaging to prevent the product from escaping.

- Affix the driving recommendation label to the dashboard where it can easily be seen by the driver;
- Put the kit away.
- At the end of this initial inflation operation, air will still escape from the tyre. You must drive a short distance in order to seal the hole.

- Start immediately and drive at between 12 and 40 mph (20 and 60 km/h) in order to distribute the product evenly in the tyre and, after driving for 2 miles (3 km), stop and check the pressure.
- If the pressure is greater than 1.3 bar but less than the recommended pressure (refer to the label affixed to the edge of the driver's door), readjust it. Otherwise, please contact an authorised dealer: the tyre cannot be repaired.

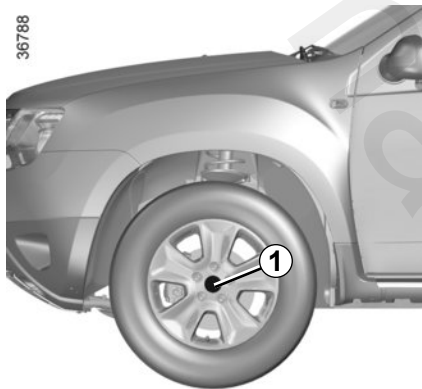
Precautions when using the kit

The kit should not be operated for more than 15 consecutive minutes.



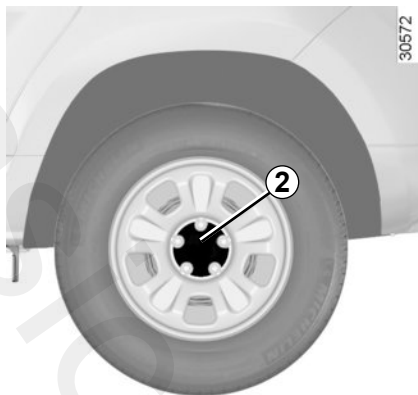
Following repair with the kit, do not travel further than 120 miles (200 km). In addition, reduce your speed and under no circumstances exceed 48 mph (80 km/h). The sticker, which you must affix in a prominent position on the dashboard, reminds you of this. Depending on the country or local legislation, a tyre repaired with the inflation kit may need to be replaced.

WHEEL TRIM/WHEELS



Central wheel trim with visible wheel bolts (example: wheel trim 1)

The bolts are directly accessible.

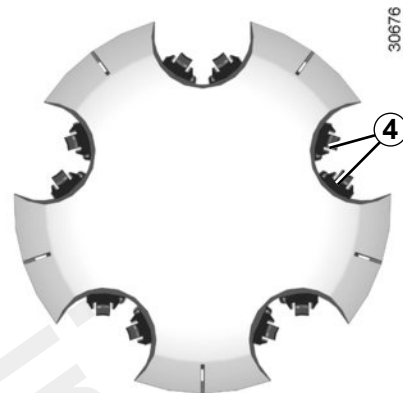
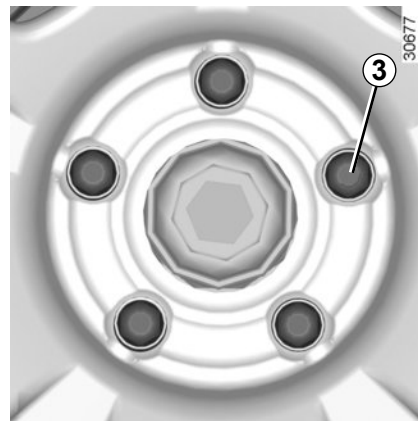


Central wheel trim with visible wheel bolts (example: wheel trim 2)

Remove it using the hubcap tool, by inserting the hook near a wheel bolt.

To put it back, position hooks 4 in relation to bolts 3.

Push in the wheel trim's retaining hooks.



CHANGING A WHEEL (1/2)



Switch on the hazard warning lights.

Park the vehicle away from traffic on flat ground with a good level of grip. Engage the hand-brake and put into gear (first or reverse).

Ask the passengers to leave the vehicle and to keep away from traffic.



If you have a puncture, replace the wheel as soon as possible.

A tyre which has been punctured should always be inspected (and repaired, where possible) by a specialist.



Vehicles equipped with a jack and wheelbrace

If necessary, remove the wheel trim, refer to the information on “Wheel trims - Wheels” in this Section. Undo the wheel bolts using wheelbrace 4. Fit it so that you press downwards rather than pulling upwards.

Mark hole 1, which is the nearest to the wheel in question. The jack **must** be fitted in this location. Offer up jack 3 horizontally and position jack head 2 under the sill.

Start cranking the jack up by hand to align the base plate (which should be pushed slightly under the vehicle). Turn the wheelbrace until the wheel lifts off the ground.

Remove the bolts.

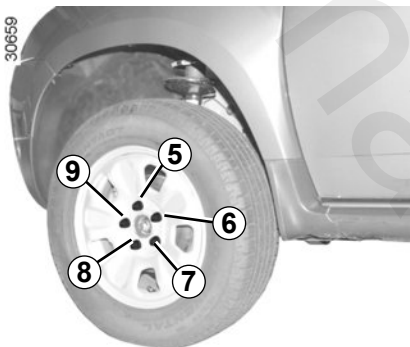
Take off the wheel.

Fit the emergency spare wheel on the central hub and turn it to align the mounting holes in the wheel and the hub.



If the vehicle is parked on the hard shoulder, you must warn other road users of your vehicle's presence with a warning triangle or with other devices as per the legislation applying to the country you are in.

CHANGING A WHEEL (2/2)



Tighten the bolts, checking that the wheel is correctly positioned on its hub and lower the jack.

With the wheels on the ground, tighten the bolts firmly, beginning on side **5**, then **7**, **9**, **6**, and finishing with **8**. Check the tightness (tightening torque 105 Nm), and the pressure of the emergency spare wheel's tyre as soon as possible.


If the vehicle is not equipped with a jack or wheelbrace, you can obtain these from your approved dealer.

Note: ensure that the emergency spare wheel or punctured wheel and the wheel tray are correctly positioned so that the luggage compartment carpet can be properly fitted.



If the vehicle is parked on the hard shoulder, you must warn other road users of your vehicle's presence with a warning triangle or with other devices as per the legislation applying to the country you are in.

Vehicle fitted with a tyre pressure loss warning system

If under-inflated (puncture, low pressure, etc.), the warning light  lights up on the instrument panel. See "Tyre pressure loss warning" in Section 2.

TYRES (1/4)

Tyre and wheel safety

The tyres are the only contact between the vehicle and the road, so it is essential to keep them in good condition. You must make sure that your tyres conform to local road traffic regulations.



For your safety, please respect the speed limit.

When they need to be replaced, only tyres of the same make, size, type and profile should be used on a single axle.

They must: either have a load capacity and a speed capacity at least equal to the original tyres, or correspond to those recommended by your authorised dealer.

Failure to heed these instructions could endanger your safety and affect your vehicle's roadworthiness.

Risk of loss of control of the vehicle.



Maintaining the tyres

The tyres must be in good condition and the tread form must have sufficient depth; tyres approved by our Technical Department have wear warning strips **1** which are **indicators moulded into the tread at several points.**

When the tyre tread has been worn to the level of the warning strips, **they become visible 2**: it is **then** necessary to replace your tyres because the tread rubber is now only **1.6 mm deep at most, resulting in poor road holding on wet roads.**

An overloaded vehicle, long journeys by motorway, particularly in very hot weather, or continual driving on poorly surfaced minor roads will lead to more rapid tyre wear and affect safety.



Incidents which occur when driving, such as striking the kerb, may damage the tyres and wheel rims, and could also lead to misalignment of the front or rear axle geometry. If such incidents occur, have the condition of these parts checked by an approved dealer.

TYRES (2/4)

Tyre pressures

Adhere to the tyre pressures (including the emergency spare wheel). The tyre pressures should be checked at least once a month and additionally before any long journey (refer to the label affixed to the edge of the driver's door).



Incorrect tyre pressures

lead to abnormal tyre wear and unusually hot running.

These are factors which may seriously affect safety and lead to:

- poor road holding;
- risk of blowouts or throwing a tread.

The tyre pressure depends on the load and speed of use; adjust the pressures according to the conditions of use (refer to the information on "Tyre pressures" in Section 4).

Pressures should be checked when the tyres are cold; ignore higher pressures which may be reached in hot weather or following a fast journey.

If tyre pressures cannot be checked when the tyres are **cold**, assume an increase of **0.2** to **0.3** bar.

Never deflate a hot tyre.

Special note


Depending on the vehicle, there may be an adapter which needs to be positioned on the valve before air is added.

Your vehicle is equipped with large wheels. These are more sensitive to imbalance. If you experience vibration while driving, contact an approved dealer.



Please be aware that a poorly tightened or missing valve cap can make the tyres less airtight and may lead to pressure loss. Always use valve caps of the same type as the originals and tighten them fully.

Vehicle fitted with a tyre pressure loss warning system

If under-inflated (puncture, low pressure, etc.), the warning light  on the instrument panel comes on. See «Tyre pressure loss warning» in chapter 2.

TYRES (3/4)

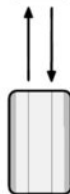
Fitting new tyres



For safety reasons, this operation must be carried out by a specialist.

Fitting different tyres may change your vehicle as follows:

- it may mean that your vehicle no longer conforms to current regulations;
- It may change the way it handles when cornering;
- It may cause the steering to be heavy;
- it may affect the use of snow chains.



30715

Changing wheels around

We recommend that you swap the wheels regularly in order to ensure that the tyres wear evenly.

Swap the wheels as shown in the above diagram. Refer to your vehicle's maintenance document for the intervals.

Emergency spare wheel

Refer to the information on the "Emergency spare wheel" and "Changing a wheel" in Section 5.

TYRES (4/4)

Use in winter

Chains

2-wheel drive version (2WD)

Snow chains must be fitted to the front wheels.

4-wheel drive version (4WD)

Snow chains may be fitted to only the front wheels, or to all four wheels.



It is forbidden to fit snow chains to only the rear wheels.

Snow chains may only be fitted to tyres of the same size as those originally fitted to your vehicle.

Only certain chains can be fitted to tyres.

Consult an approved dealer.

Snow or Winter tyres

We would recommend that these be fitted to all **four wheels** to ensure that your vehicle retains maximum adhesion.

Warning: These tyres sometimes have a specific direction of rotation and a maximum speed index which may be lower than the maximum speed of your vehicle.

Studded tyres

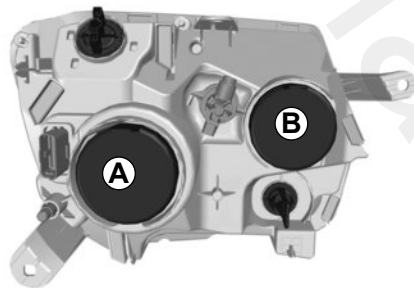
This type of equipment may only be used for a limited period and as laid down by local legislation.

It is necessary to observe the speed specified by current legislation.

These tyres must, at a minimum, be fitted to the two front wheels.

In all cases, we would recommend that you contact your approved dealer who will be able to advise you on the choice of equipment which is most suitable for your vehicle.

FRONT LIGHTS: changing bulbs



Dipped beams

Remove cover **A**.

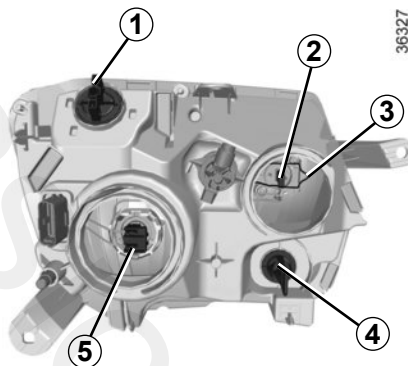
Tilt bulb holder **5** to release it and then replace the bulb.

Bulb type: H7.



The bulbs are under pressure and can break when replaced.

Risk of injury.



Main beam headlight

Remove cover **B**.

Remove the bulb connector **2**. Unclip the spring **3** and take out the bulb.

Bulb type: H1.

It is **essential** to use anti-U.V. 55W bulbs so as not to damage the plastic on the headlights.

Do not touch the bulb glass. Hold it by its base.

Mark the bulb's position before removal to ensure correct positioning when replacing.

When the bulb has been changed, make sure you refit the cover correctly.

Daytime running light, front side light

Turn the bulb holder a quarter of a turn **1** and take out the bulb.

Bulb type: W21/5W.

Direction indicator lights

Turn the bulb holder **4** a quarter of a turn and take out the bulb.

Bulb type: PY21W.

To comply with current legislation, or as a precaution, you can obtain an emergency kit from your approved dealer containing a set of spare bulbs and fuses.



The engine may be hot during operations in close proximity. In addition, the engine cooling fan may come on at any moment.

Risk of injury.

FOG LIGHTS: changing bulbs



Front fog lights 1

Consult an approved dealer.

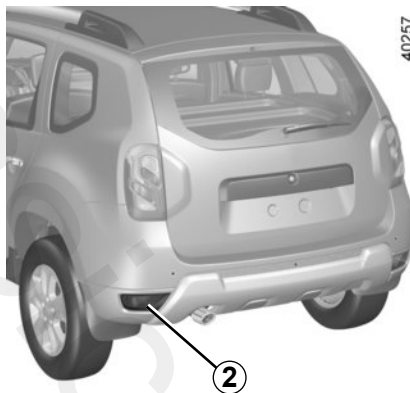
Bulb type: H16

or depending on vehicle, **H11**.



The bulbs are under pressure and can break when replaced.

Risk of injury.



Rear fog lights 2 (depending on vehicle)

Consult an approved dealer.

Bulb type: P21W.

To comply with local legislation, or as a precaution, you can obtain an emergency kit containing a set of spare bulbs and fuses from an approved Dealer.

Additional lights

If you wish to fit fog lights to your vehicle, please see an authorised dealer.



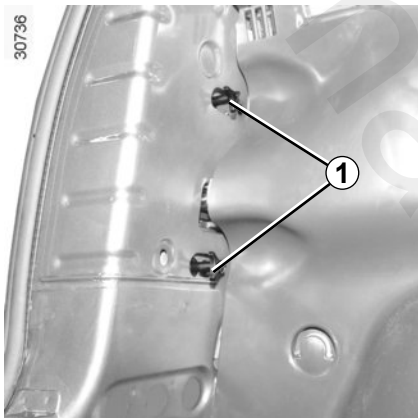
Any operation on (or modification to) the electrical system must be performed by an approved Dealer since an incorrect connection might damage the electrical equipment (harness, components and in particular the alternator). In addition, your Dealer has all the parts required for fitting these units.



The engine may be hot during operations in close proximity. In addition, the engine cooling fan may come on at any moment.

Risk of injury.

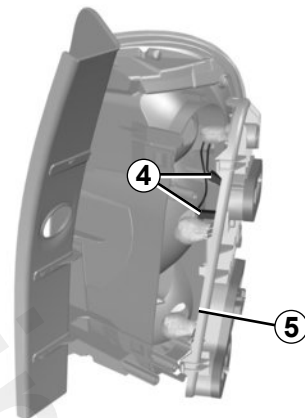
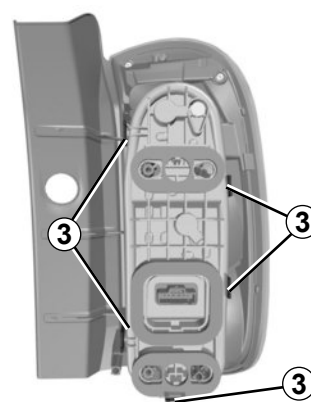
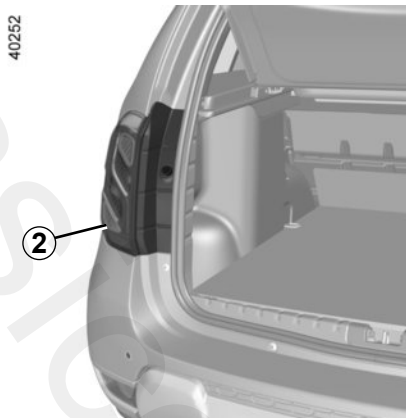
REAR LIGHTS: replacing the bulbs(1/5)



Open the luggage compartment lid and unscrew the nuts **1**, then release the light unit **2** by pulling it out.

Unlock the clips **3** and release the connectors **4** to remove the bulb holders **5**.

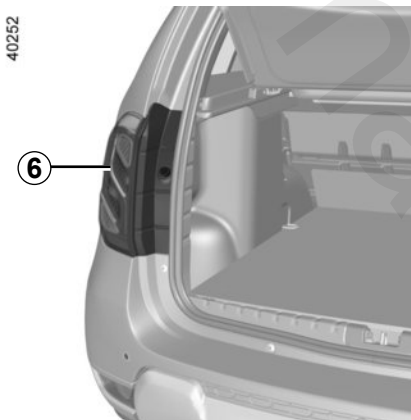
To comply with current legislation, or as a precaution, you can obtain an emergency kit from your approved dealer containing a set of spare bulbs and fuses.



The bulbs are under pressure and can break when replaced.

Risk of injury.

REAR LIGHTS: replacing the bulbs(2/5)



6 Side light

Consult an approved Dealer.

7 Direction indicator lights

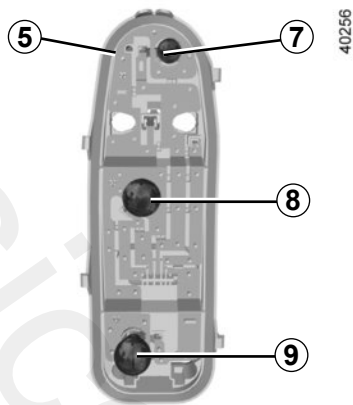
WY 16 W bulb.

8 Brake light

Pear-shaped, bayonet type P 21 W bulb with two filaments.

9 Reversing light

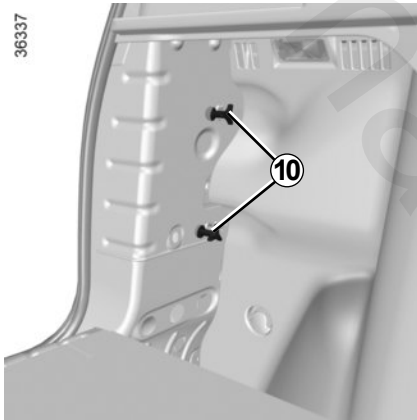
Pear-shaped, bayonet type bulb P 21 W.



Refitting

To refit, proceed in the reverse order, taking care not to damage the wiring.

REAR LIGHTS: replacing the bulbs(3/5)



Open the luggage compartment lid and unscrew the nuts **10**, then release the light unit **11** by pulling it out.

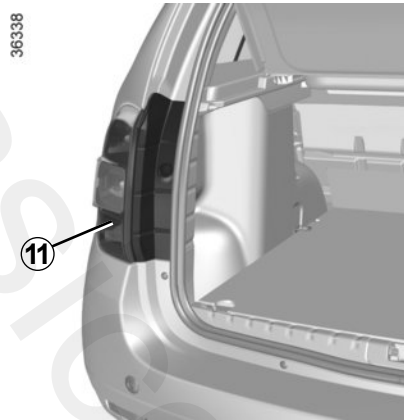
Unlock the clips **12** to remove the bulb holders **13**.

14 Side light and brake light

Pear-shaped, bayonet type bulb with two P 21/5 W filaments.

15 Direction indicator lights

Pear-shaped, bayonet type P 21 W or PY 21 W bulb (depending on vehicle).



16 Reversing light

Pear-shaped bayonet bulb P 21 W or,

Rear fog light

(depending on vehicle)

Pear-shaped, bayonet type P 21 W bulb.

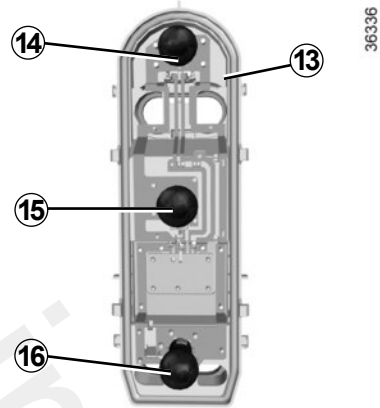
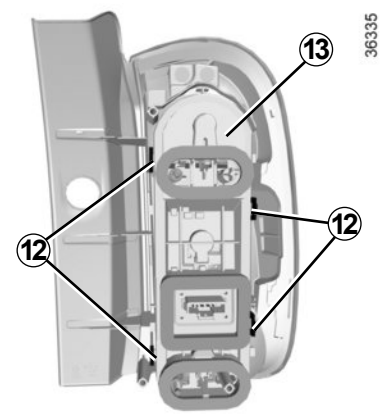
Refitting

To refit, proceed in the reverse order, taking care not to damage the wiring.

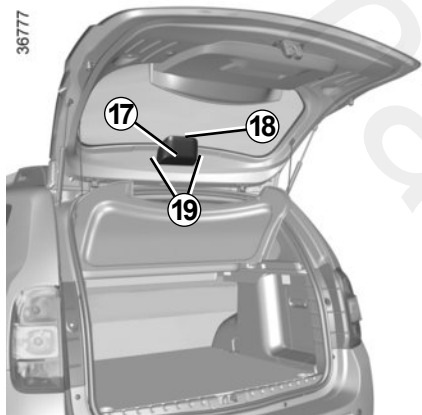


The bulbs are under pressure and can break when replaced.

Risk of injury.



REAR LIGHTS: replacing the bulbs(4/5)

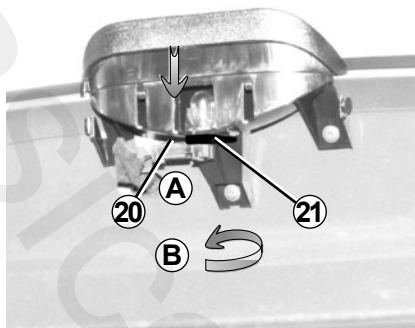


High-level brake light

The bulb for high-level brake light **18** may be accessed through the luggage compartment.

Carefully unclip cover **17** by pressing tabs **19**.

To comply with current legislation, or as a precaution, you can obtain an emergency kit from your approved dealer containing a set of spare bulbs and fuses.

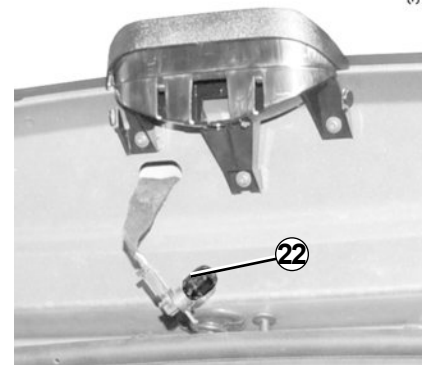


Carefully unclip tab **21** (movement **A**) and turn it an eighth of a turn (movement **B**) to release bulb holder **20**.



The bulbs are under pressure and can break when replaced.

Risk of injury.



Remove bulb **22**.

Bulb type: W 16 W.

REAR LIGHTS: replacing the bulbs(5/5)

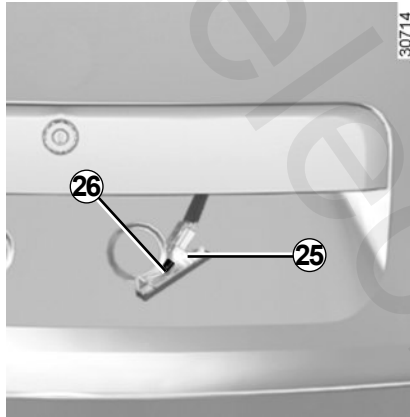
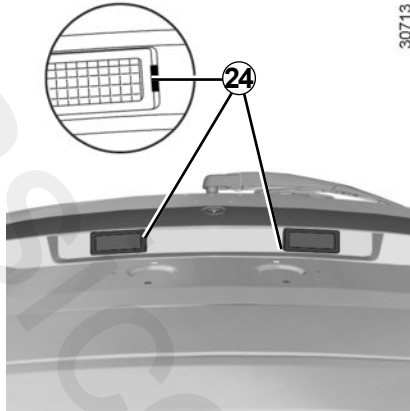


Number plate light

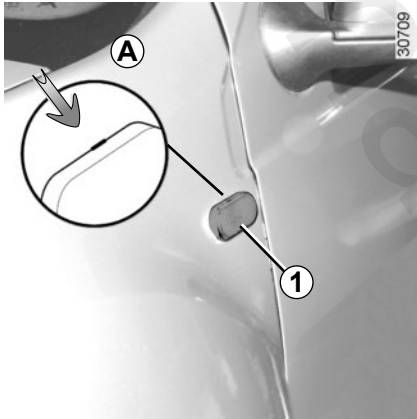
Unclip light **23** by pressing tab **24** using a flat-blade screwdriver or similar.

Unclip lens **25** and take out bulb **26**.

Bulb type: W 5 W.



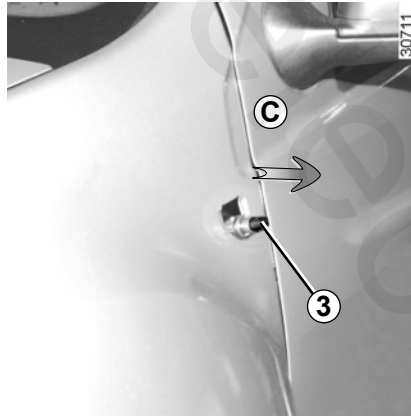
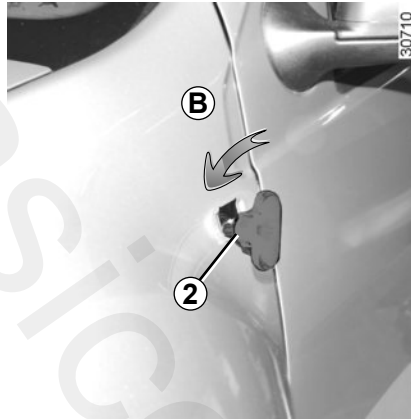
INDICATOR LIGHTS: changing bulbs



Unclip indicator light **1** (using a flat-blade screwdriver or similar positioned at **A** to move the indicator light towards the outside of the vehicle).

Turn bulb holder **2** a quarter of a turn (movement **B**) and take out bulb **3** (movement **C**).

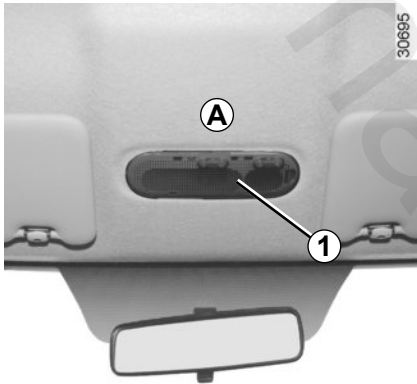
Bulb type: WY5W.



The bulbs are under pressure and can break when replaced.

Risk of injury.

INTERIOR LIGHTING: changing bulbs (1/4)

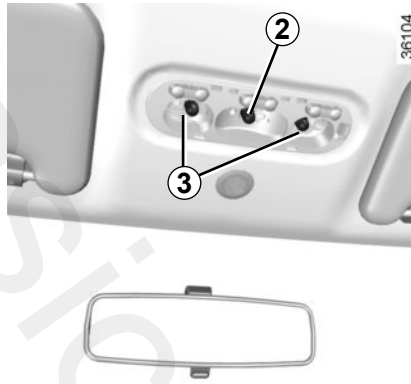


Courtesy light A

Unclip lens **1** using a flat-blade screwdriver or similar.

Remove the bulb concerned.

Bulb type 2: W5W.



Front map reading lights

(depending on the vehicle)

Remove the lens **1** using a tool such as a flat-blade screwdriver.

Remove the bulb concerned.

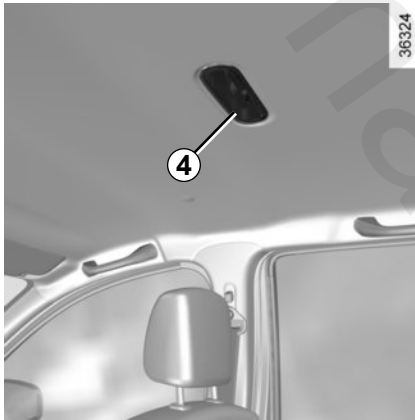
Bulb type 3: W5W.



The bulbs are under pressure and can break when replaced.

Risk of injury.

INTERIOR LIGHTING: changing bulbs (2/4)

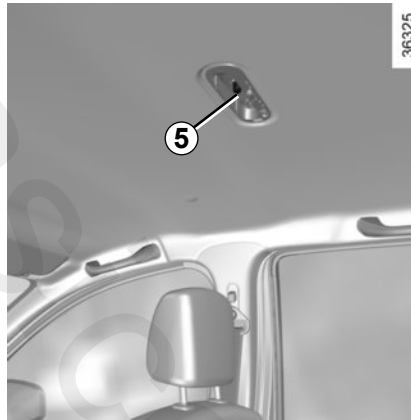


Rear map reading lights (depending on the vehicle)

Unclip lens **4** using a flat-blade screwdriver or similar.

Remove the bulb concerned.

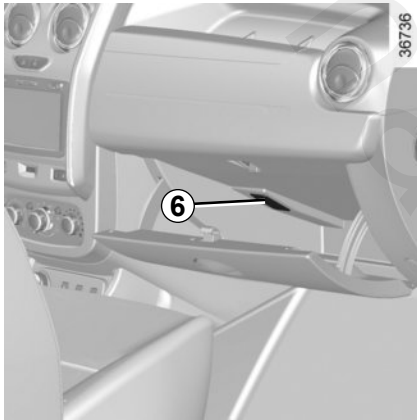
Bulb type 5: W5W.



The bulbs are under pressure and can break when replaced.

Risk of injury.

INTERIOR LIGHTING: changing bulbs (3/4)

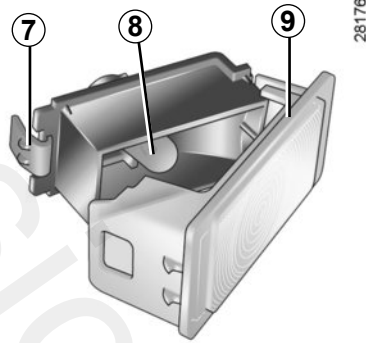


Glove box light

(depending on the vehicle)

Unclip light **6** using a flat-blade screwdriver or similar, by pressing on the tab to move the light towards the inside of the unit.

Disconnect the light.



Press the tab **7** to release the lens **9** and gain access to the bulb **8**.

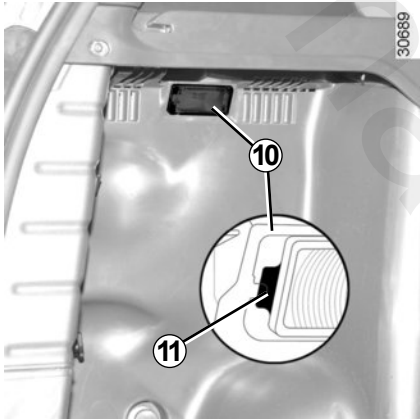
Type of bulb 8: W5W.



The bulbs are under pressure and can break when replaced.

Risk of injury.

INTERIOR LIGHTING: changing bulbs (4/4)

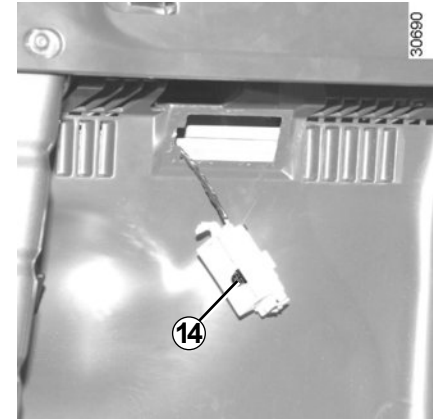


Luggage compartment light

Unclip light **10** using a flat-blade screwdriver or similar, by pressing on tab **11** to move the light towards the inside of the luggage compartment.



Press tab **12** to release lens **13**.



Remove the bulb **14**.

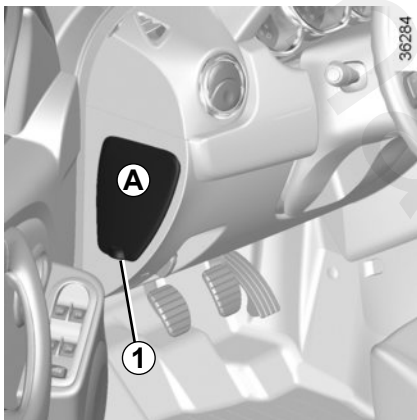
Type of bulb **14**: **W5W**.



The bulbs are under pressure and can break when replaced.

Risk of injury.

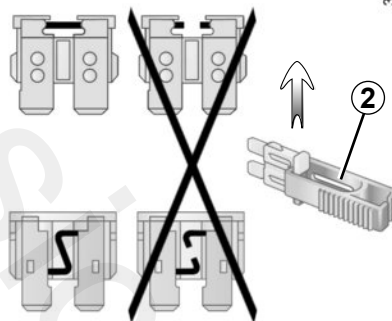
FUSES (1/8)



Passenger compartment fuses

If any electrical component does not work, check the condition of the fuses. Unclip flap **A** using notch **1** to help you. Depending on the vehicle, to identify the fuses, refer to the fuse allocation label located at the back of the flap **A** and shown on the following pages.

To comply with current legislation, or as a precaution, you can obtain an emergency kit from your approved Dealer containing a set of spare bulbs and fuses.



Tweezers 2

Remove the fuse using tweezers **2**, located at the back of flap **A**.

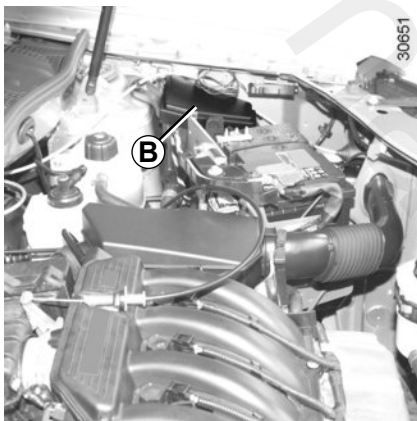
To remove the fuse from the tweezers, slide the fuse to the side. It is not advisable to use the free fuse locations.



Check the fuse in question and **replace it**, if necessary, **with a fuse of the same rating**.

If a fuse is fitted where the rating is too high, it may cause the electrical circuit to overheat (risk of fire) in the event of an item of equipment using an excessive amount of current.

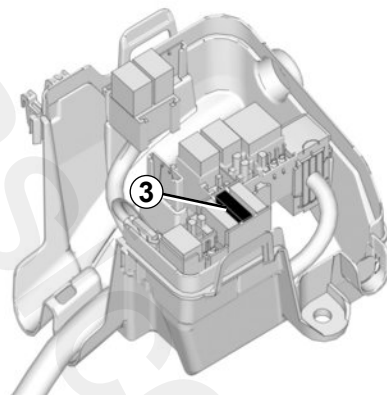
FUSES (2/8)



Fuses in engine compartment **B**

Some functions are protected by fuses located in the engine compartment (unit **B**).

However, because of their reduced accessibility, **we advise you to have your fuses replaced by an approved dealer.**



Special features of LPG versions

The specific **LPG** circuit shut-off fuse **3** is located in the box **B**.



When working in the engine compartment, ensure that the windscreen wiper stalk is in the park position.

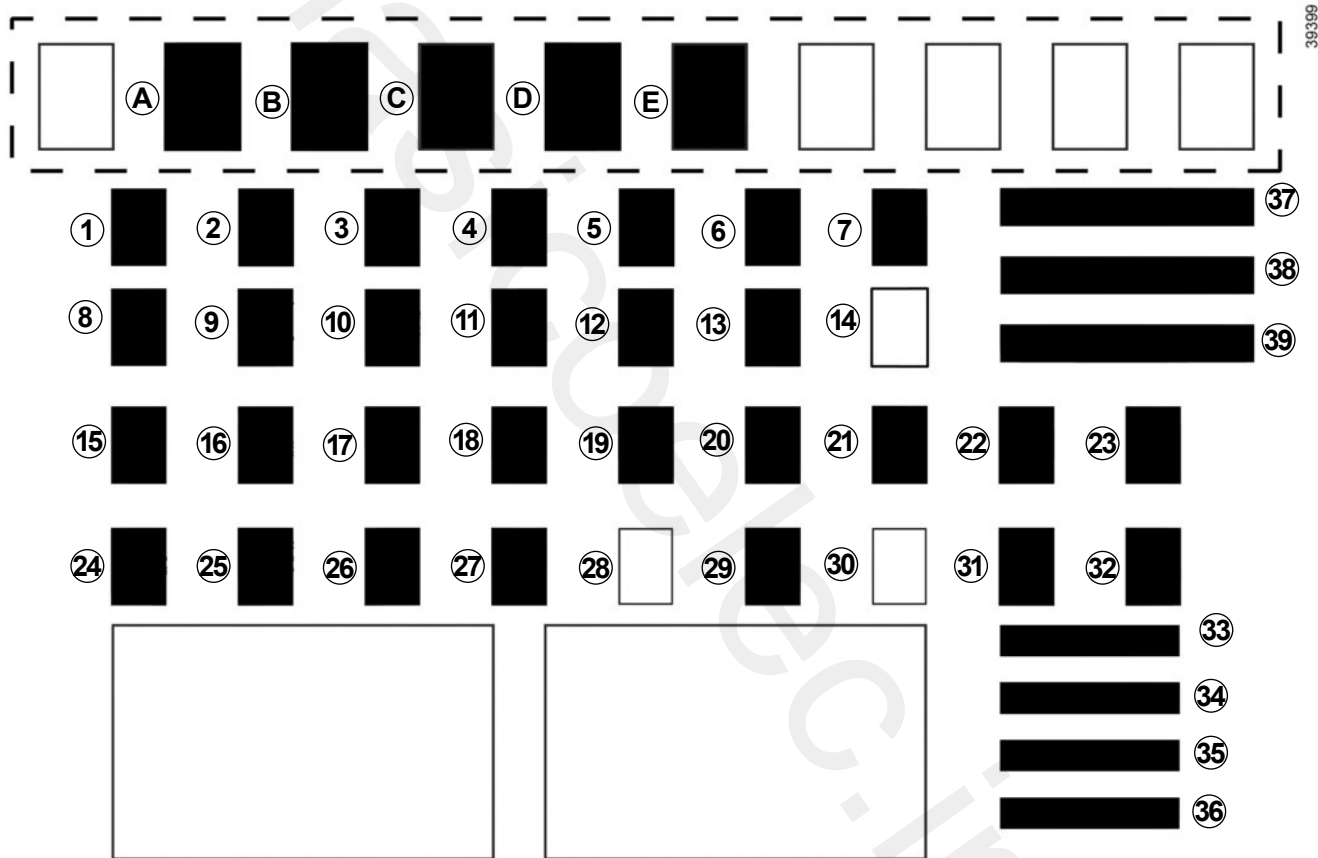
Risk of injury.



Deactivate the Stop and Start function for any operation performed in the engine compartment.

FUSES (3/8)

Allocation of fuses in the passenger compartment, left-hand drive vehicles
(the presence of certain fuses DEPENDS ON THE VEHICLE EQUIPMENT LEVEL)



36359

FUSES (4/8)

Number	Allocation	Number	Allocation	Number	Allocation
A	Driver's side window winder	9	Rear fog lights	17	Daytime running lights
B	4-wheel drive (4WD) transmission	10	Horn	18	Brake lights
C	LPG	11	Automatic door locking	19	Injection, instrument panel or dashboard, passenger compartment, sequential gearbox lever
D	Rear accessories socket	12	ABS-ESC, brake switch, clutch switch	20	Airbag
E	Passenger compartment ECU, starter	13	Interior lights, boot light, glovebox light	21	4-wheel drive transmission (4WD), LPG, automatic gearbox, sequential gearbox, reverse gear
1	Front electric window	14	Empty location	22	Power-assisted steering
2	Left-hand main beam headlight	15	Windscreen wiper	23	Heated rear windscreen, heated seats, seatbelt alarm, parking distance control, additional passenger compartment heating, cruise control/ speed limiter, heated windscreen
3	Right-hand main beam headlight	16	Cruise control/Speed limiter, unfastened seat belt warning, parking distance control, multimedia, air conditioning, heated seats, automatic gearbox lever, UCH		
4	Left-hand dipped beam headlight				
5	Right-hand dipped beam headlight				
6	Rear lights				
7	Front side lights				
8	Rear electric windows				

FUSES (5/8)

Number	Allocation
24	Passenger compartment ECU
25	Passenger compartment ECU
26	Direction indicator lights
27 and 29	Steering column control
28	Not used
30	Not used
31	Instrument panel
32	Radio, passenger compartment air conditioning control panel, passenger compartment ventilation, rear accessories socket
33	Cigar lighter
34	Diagnostics and radio socket
35	Defrosting rearview mirror
36	Electric door mirrors
37	Passenger compartment ECU, starter

Number	Allocation
38	Front windscreen wiper
39	Passenger compartment ventilation

To comply with current legislation, or as a precaution, you can obtain an emergency kit from your approved Dealer containing a set of spare bulbs and fuses.

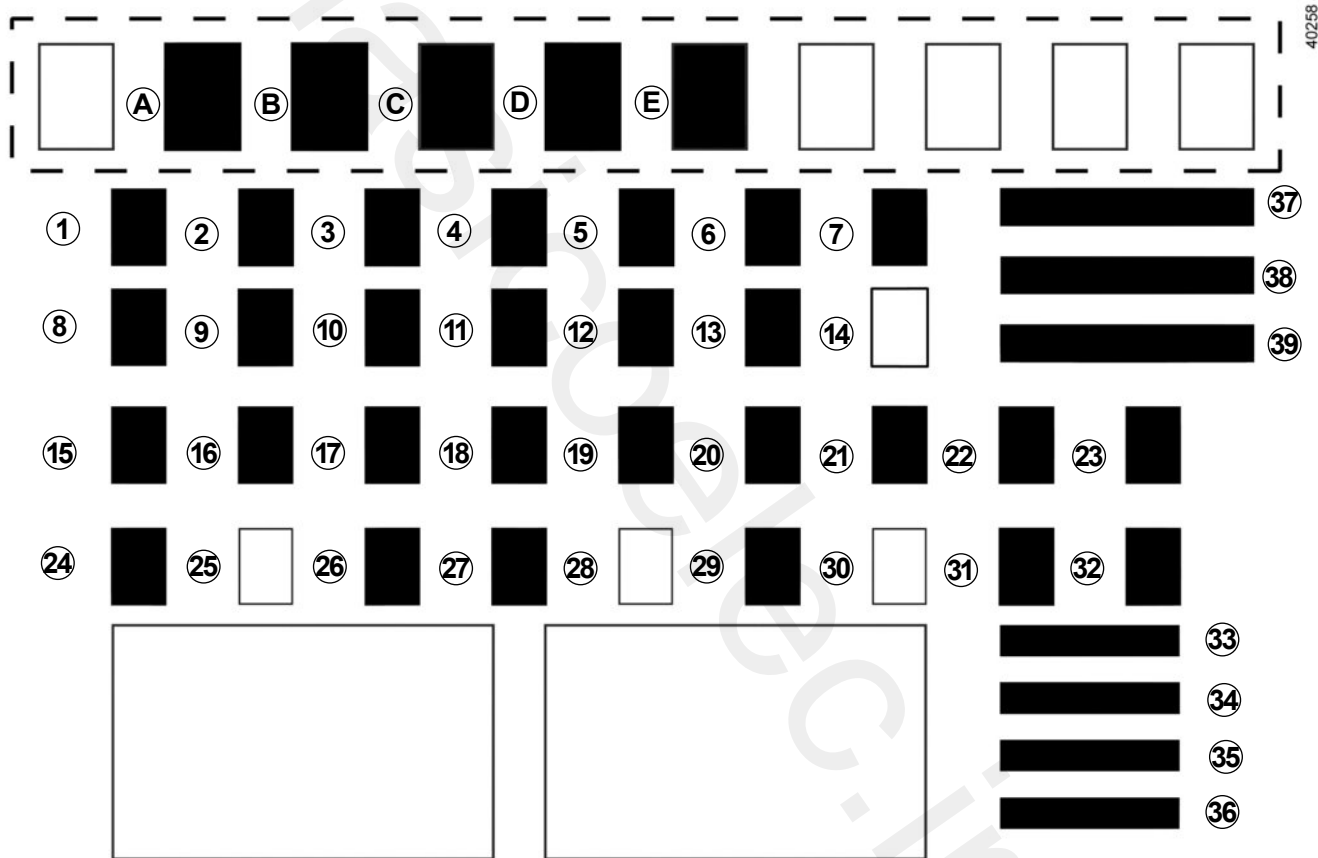


Check the fuse in question and **replace it**, if necessary, **with a fuse of the same rating**.

If a fuse is fitted where the rating is too high, it may cause the electrical circuit to overheat (risk of fire) in the event of an item of equipment using an excessive amount of current.

FUSES (6/8)

Allocation of fuses in the passenger compartment, right-hand drive vehicles
(the presence of certain fuses DEPENDS ON THE VEHICLE EQUIPMENT LEVEL)



FUSES (7/8)

Number	Allocation	Number	Allocation	Number	Allocation
A	Driver's side window winder	8	Rear electric windows	18	Brake lights
B	4-wheel drive (4WD) transmission	9	Rear fog lights	19	Injection, instrument panel or dashboard, passenger compartment, sequential gearbox lever
C	Rear air conditioning	10	Horn	20	Airbag
D	Rear accessories socket	11	Automatic door locking	21	4-wheel drive transmission (4WD), reverse gear
E	Passenger compartment ECU, starter	12	ABS-ESC, brake switch	22	Power-assisted steering
1	Front electric window	13	Interior lights, boot light, glovebox light	23	Cruise control/Speed limiter, rear windscreen, unfastened seatbelt warning, parking distance control, additional passenger compartment heating
2	Left-hand main beam headlight	14	Not used		
3	Right-hand main beam headlight	15	Windscreen wiper		
4	Left-hand dipped beam headlight	16	Multimedia		
5	Right-hand dipped beam headlight	17	Daytime running lights		
6	Rear lights				
7	Front side lights				

FUSES (8/8)

Number	Allocation
24	Passenger compartment ECU
25	Not used
26	Direction indicator lights
27 and 29	Steering column control
28	Not used
30	Not used
31	Instrument panel
32	Radio, passenger compartment air conditioning control panel, passenger compartment ventilation, rear accessories socket
33	Cigar lighter
34	Diagnostics and radio socket
35	Defrosting rearview mirror
36	Electric door mirrors
37	Passenger compartment ECU, starter

Number	Allocation
38	Front windscreen wiper
39	Passenger compartment ventilation

To comply with current legislation, or as a precaution, you can obtain an emergency kit from your approved Dealer containing a set of spare bulbs and fuses.



Check the fuse in question and **replace it**, if necessary, **with a fuse of the same rating**.

If a fuse is fitted where the rating is too high, it may cause the electrical circuit to overheat (risk of fire) in the event of an item of equipment using an excessive amount of current.

BATTERY: troubleshooting (1/2)

To avoid all risk of sparks:

- Ensure that any consumers (courtesy lights, etc.) are switched off before disconnecting or reconnecting the battery;
- when charging, stop the charger before connecting or disconnecting the battery;
- to avoid creating a short circuit between the terminals, do not place metal objects on the battery;
- always wait at least one minute after the engine has been switched off before disconnecting a battery;
- make sure that you reconnect the battery terminals after refitting.

Connecting a battery charger

The battery charger must be compatible with a battery with nominal voltage of 12 volts.

Do not disconnect the battery when the engine is running. **Follow the instructions given by the manufacturer of the battery charger you are using.**

When many accessories are fitted to the vehicle, have them connected to the + after ignition feed.



Certain batteries may have specific recharging requirements; consult your authorised dealer. Avoid any risk of sparks, as this could cause a sudden explosion, and always charge the battery in a well-ventilated area. Risk of serious injury.



Handle the battery with care as it contains sulphuric acid, which must not come into contact with eyes or skin. If it does, wash the affected area with plenty of cold water and consult a doctor, if necessary.

Ensure that naked flames, red hot objects and sparks do not come into contact with the battery as there is a risk of explosion.

The engine may be hot during operations in close proximity. In addition, the engine cooling fan may start to operate at any moment. Risk of serious injury.

BATTERY: troubleshooting (2/2)

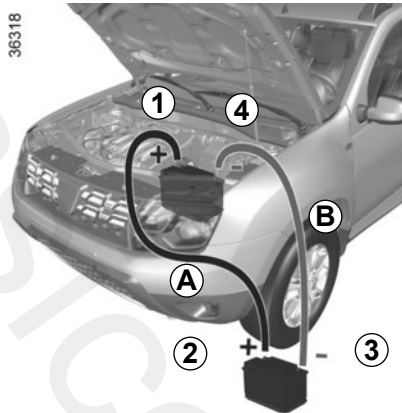
Starting the vehicle using the battery from another vehicle

If you have to use the battery from another vehicle to start, obtain suitable jump leads (with a large cross section) from an approved dealer or, if you already have jump leads, ensure that they are in perfect condition.

The two batteries must have an identical nominal voltage of 12 volts. The battery supplying the current should have a capacity (amp-hours, Ah) which is at least the same as that of the discharged battery.

Ensure that there is no risk of contact between the two vehicles (risk of short circuiting when the positive terminals are connected) and that the discharged battery is properly connected. Switch off your vehicle ignition.

Start the engine of the vehicle supplying the current and run it at an intermediate engine speed.



Connect the positive (+) lead **A** to (+) terminal **1** of the discharged battery, then to (+) terminal **2** of the battery supplying the current.

Connect the negative (-) lead **B** to (-) terminal **3** of the battery supplying the current and then to (-) terminal **4** of the discharged battery.

Start the engine as normal. As soon as it is running, disconnect leads **A** and **B** in the reverse order (**4-3-2-1**)



Check that there is no contact between leads **A** and **B** and that the positive lead **A** is not touching any metal parts on the vehicle supplying the current.

Risk of injury and/or damage to the vehicle.

RADIO FREQUENCY REMOTE CONTROL: batteries

40618



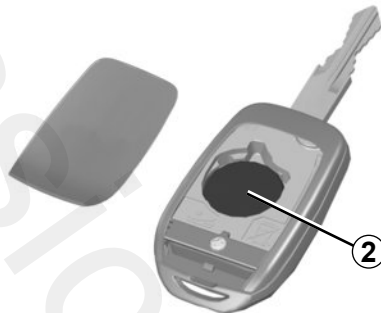
Replacing the battery

Open the cover via slot **1**, using a flat-blade screwdriver or similar, and replace the battery **2**, observing the type and polarity shown on the back of the cover.

The batteries are available from approved Dealers, and their service life approximately two years.

Check that there is no dye on the battery: risk of an incorrect electrical contact.

40619



When refitting, ensure that the cover is correctly clipped into place.

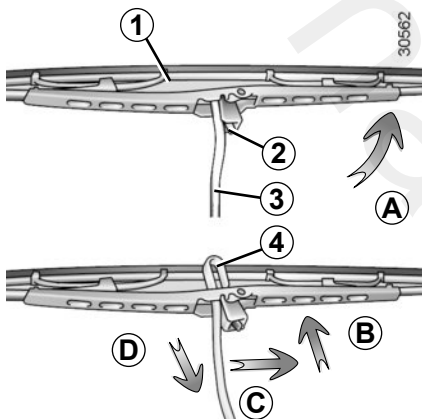
Note: It is not advisable to touch the electronic circuit in the key cover when replacing the battery.

26913



Do not throw away your used batteries; give them to an organisation responsible for collecting and recycling batteries.

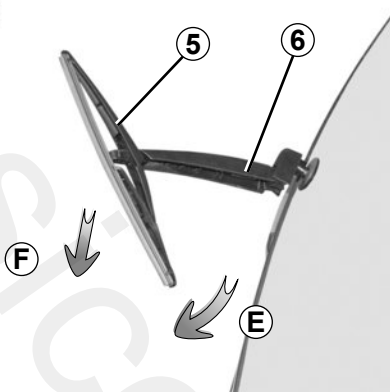
WIPER BLADES



Replacing windscreen wiper blades 1

- With the ignition off, lift wiper arm **3**.
- Turn the blade horizontally (movement **A**).
- Press tab **2** and slide the wiper blade downwards (movement **D**) until hook **4** on the wiper arm is released.
- Slide the blade (movement **C**) then lift it (movement **B**) to release it.

30685



Replacing the rear screen wiper blades 5

- With the ignition off, lift wiper arm **6**.
- Turn blade **5** until some resistance is met (movement **E**).
- Pull the blade to release it (movement **F**).

Refitting windscreen wiper blades

To refit the wiper blade, proceed in the reverse order to removal. Make sure that the blade is correctly locked in position.

Check the condition of the wiper blades. You are responsible for their service life:

- clean the blades, windscreen and rear screen regularly with soapy water;
- do not use them when the windscreen or rear screen are dry;
- free them from the windscreen or rear screen when they have not been used for a long time.



– In frosty weather, make sure that the wiper blades are not stuck by ice (to avoid the risk of the motor overheating).

– Check the condition of the wiper blades.

Replace the wiper blades as soon as they begin to lose efficiency (approximately once a year).

Whilst changing the blade, take care not to drop the arm onto the window after it has been removed as this may break the window.

TOWING: breakdown (1/3)

Before any towing, put the gears into neutral (neutral position for vehicles equipped with a manual gearbox or N position for vehicles equipped with an automatic gearbox).

Unlock the steering column; the ignition key must be in "M" position (ignition) to enable signalling ("Stop" lights, hazard warning lights, etc.). Always switch on the lights when driving at night.

Release the parking brake.

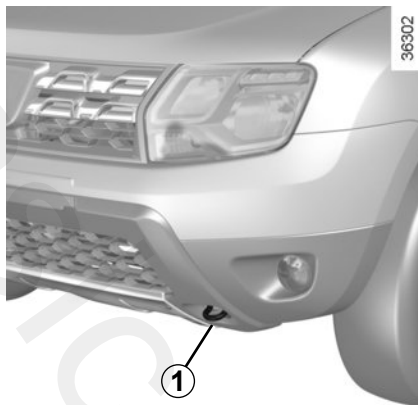
It is also essential to observe the towing regulations imposed by current legislation in your country. Please contact an authorised dealer.



When the engine is stopped, steering and braking assistance are not operational.

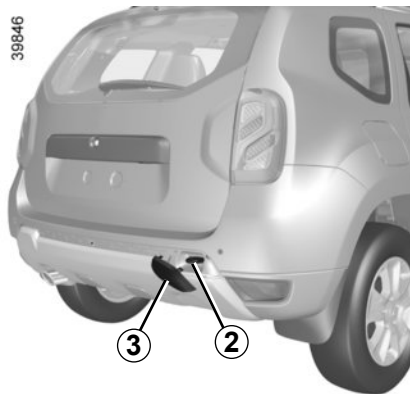


Do not remove the key from the ignition when the vehicle is being towed.



Front and rear towing points Only use the front 1 and rear 2 towing points.

Depending on the vehicle, unclip the cover 3 by inserting a flat tool under the cover.

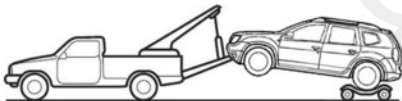


These towing points may only be used for towing: never use them for lifting the vehicle directly or indirectly.



- Use a rigid towing bar. If a rope or cable is used (where the law allows this), the vehicle being towed must be able to brake.
- A vehicle must not be towed if it is not fit to be driven.
- Avoid accelerating or braking suddenly when towing, as this may result in damage being caused to the vehicle.
- When towing a vehicle, it is advisable not to exceed **30 mph (50 km/h)**.
- Do not push the vehicle if the steering column is locked.

TOWING: breakdown (2/3)



30560



30557

4-wheel drive vehicles (4WD)

Whichever type of gearbox is fitted, a 4WD vehicle must never be towed if any of its 4 wheels are touching the ground.



Do not leave the tools unsecured inside the vehicle as they may come loose under braking.

You must never tow a 4-wheel drive vehicle, irrespective of the mode selected, if one of the 4 wheels is in contact with the ground (except for off-road recovery). Risk of mechanical damage.

Off-road recovery

If your vehicle is stuck in sand, snow or mud, attach a flexible towing device (towing belt or other device specially designed for this purpose) to the front or rear towing point (refer to the information on "Front and rear towing points" on the previous page).

Refer to the manufacturer's instructions for information on how to fit and operate the equipment.

If a **4x4 (4WD)** vehicle becomes stuck, it should only be towed for a short distance. Risk of mechanical damage.



For off-road recovery, it is forbidden to use a rigid bar to tow a vehicle that is stuck. Risk of mechanical damage.

TOWING: breakdown (3/3)

Towing a vehicle with an automatic gearbox

When the engine is switched off, the gearbox is no longer lubricated. It is preferable to tow this type of vehicle on a trailer or, for **4x2 (2WD)** vehicles only, tow it with the rear wheels off the ground.

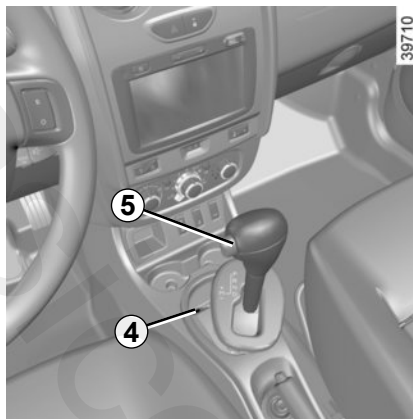
Under exceptional circumstances and for **4x2 (2WD)**, vehicles only, you may tow the vehicle with all four wheels on the ground, only going forward, with the gear lever in neutral position **N** and for a distance not exceeding 30 miles (50 km).

If the gear lever cannot be put into the **N** position, please consult an authorised dealer.



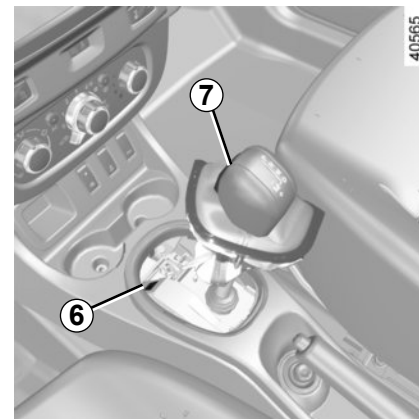
When storing the tools, ensure they are securely replaced in the luggage compartment, in their original position.

Do not leave the tools unsecured inside the vehicle as they may come loose under braking.



When setting off, if the lever is locked in position **P** even though you are pressing the brake pedal, the lever can be released manually.

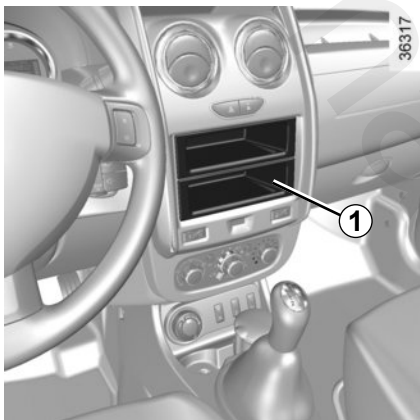
To do this, unclip the base of the lever, simultaneously press recess **4** and the unlocking button **5**.



Depending on the vehicle, unclip the base of the lever, then insert a tool (rigid rod) into the slot **6** and simultaneously press the button **7** in order to unlock the lever.

Contact an authorised dealer as soon as possible.

FITTED AUDIO EQUIPMENT



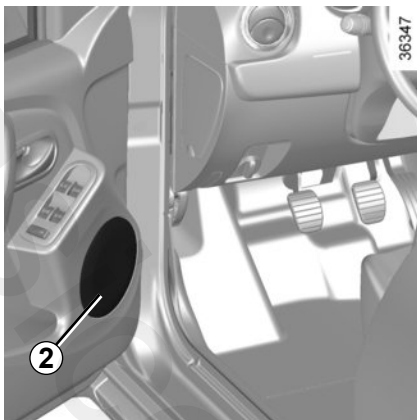
Radio location 1

If your vehicle is not fitted with an audio system, one can be fitted and locations have been provided for:

- the radio 1;
- front speakers 2;
- rear speakers 3.

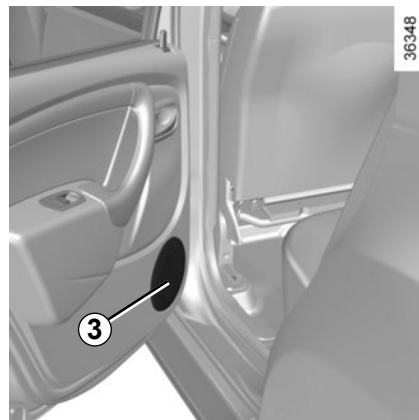
To install any equipment, please consult an approved dealer.

Unclip and remove storage compartment 1.



Location for front speaker 2 or rear speaker 3

Unclip the cover using a flat-blade screwdriver or similar.



- In all cases, it is very important to follow the manufacturer's instructions carefully.
- The specifications of the brackets and wires (available from our network) vary depending on the equipment level of your vehicle and the type of radio. Consult an authorised dealer to find out the correct part number.
- No work may be carried out on the vehicle's electrical or radio circuits, except by approved Dealers: an incorrectly connected system may result in damage being caused to the electrical equipment and/or the components connected to it.

ACCESSORIES



Electrical and electronic accessories

Before installing this type of accessory (particularly for transmitters/receivers: frequency bandwidth, power level, position of the aerial, etc.), make sure it is compatible with your vehicle. You can get advice from an authorised dealer.

Connect accessories with a maximum power of 120 Watts only. **Fire hazard.** When several accessory sockets are used at the same time, the total power of the connected accessories must not exceed 180 watts.

No work may be carried out on the vehicle's electrical or radio circuits, except by authorised dealers: an incorrectly connected system may result in damage being caused to the electrical equipment and/or the components connected to it.

If the vehicle is fitted with any aftermarket electrical equipment, make sure that the installation is correctly protected by a fuse.

Establish the rating and position of this fuse.

Using the diagnostic socket

The use of electronic accessories on the diagnostic socket may cause serious disturbance to the vehicle's electronic systems.

For your safety we recommend that you use only electronic accessories approved by the manufacturer, consult an Approved Dealer. **Serious accident risk.**

Use of transmitting/receiving devices (telephones, CB equipment etc.)

Telephones and CB equipment with integrated aerials may cause interference to the electronic systems originally fitted to the vehicle: it is advisable only to use equipment with an external aerial. **Furthermore, we remind you of the need to conform to the legislation in force concerning the use of such equipment.**

Fitting aftermarket accessories

If you wish to install accessories on the vehicle: please contact an authorised dealer. Also, to ensure the correct operation of your vehicle, and to avoid any risk to your safety, we recommend that you use only accessories specifically designed for your vehicle, which are the only accessories for which the manufacturer will provide a warranty.

If you are using an anti-theft device, only attach it to the brake pedal.

Obstructions to the driver

On the driver's side, only use mats suitable for the vehicle, attached with the pre-fitted components, and check the fitting regularly. Do not lay one mat on top of another. **There is a risk of wedging the pedals.**

OPERATING FAULTS (1/5)

The following advice will enable you to carry out quick, temporary repairs. For safety reasons you should always contact an approved dealer as soon as possible.

The starter is activated	POSSIBLE CAUSES	WHAT TO DO
Warning lights dim or fail to come on; the starter does not run.	Battery terminals disconnected, oxidised or incorrectly secured.	Retighten them, reconnect them or clean them if they are oxidised.
	Battery discharged or worn.	Connect another battery to the faulty battery. Refer to the information on “Battery: troubleshooting” in Section 5 or replace the battery if necessary. Do not push the vehicle if the steering column is locked.
The engine will not start.	Starting conditions are not fulfilled.	Refer to the information on “Starting/stopping the engine in Section 2.
The steering column remains locked.	Steering wheel locked.	To unlock, gently move the key and the steering wheel (refer to the information on the “Ignition switch” in Section 2).

OPERATING FAULTS (2/5)

On the road	POSSIBLE CAUSES	WHAT TO DO
Vibrations.	Tyres not inflated to correct pressures, incorrectly balanced or damaged.	Check the tyre pressures; if this is not the cause, have their condition checked by an approved dealer.
Coolant boiling in the coolant reservoir.	Mechanical fault: cylinder head gasket damaged, faulty coolant pump.	Stop the engine. Contact an approved dealer.
	Engine cooling fan not working.	Contact an approved dealer.
Smoke under the bonnet.	Short circuit or cooling system leak.	Stop, switch off the ignition, move away from the vehicle and contact an approved dealer.
The oil pressure warning light comes on:		
on a bend or under braking	The engine oil level is too low.	Top up the engine oil level (refer to the information on "Engine oil level: topping up/filling" in Section 4).
at idle speed	Low oil pressure.	Go to your nearest approved dealer.
The oil pressure warning light takes a long time to go out or remains lit during acceleration.	Loss of oil pressure.	Stop the vehicle: contact an approved dealer.

OPERATING FAULTS (3/5)

On the road	POSSIBLE CAUSES	WHAT TO DO
Abnormal white smoke from the exhaust	Mechanical fault: damaged cylinder head gasket. or	Stop the engine. Contact an approved dealer.
	This is not necessarily a fault. Smoke may be caused by regeneration of the particle filter.	Please refer to the information on “Special features of diesel versions” in Section 2.
The power-assisted steering becomes heavy.	Belt broken.	Have the belt replaced.
	No power-assisted steering oil	For maintenance operations on the power-assisted steering, contact an authorised dealer.
The “2WD” mode and electronic fault warning lights come on.	Fault in the 4-wheel drive system.	Drive as soon as possible at a moderate speed to an approved dealer. The problem may be resolved by replacing the wheels.
The system will not switch to “2WD” or “4WD Lock” mode. “AUTO” mode remains active.	Fault in the 4-wheel drive system.	Contact an approved dealer as soon as possible.

OPERATING FAULTS (4/5)

On the road	POSSIBLE CAUSES	WHAT TO DO
Whistling	Roof aerial poorly positioned.	Position the aerial.
The engine overheats. The coolant temperature indicator light comes on.	Engine cooling fan not working.	Stop the vehicle, switch off the engine and contact an approved dealer.
	Coolant leaks.	Stop the vehicle, switch off the engine and check the coolant reservoir: it should contain fluid. If there is no coolant, consult an approved dealer as soon as possible.
The oil change warning light remains lit after an oil change.	Warning not reset after oil change.	Reset the warning after changing the oil; refer to the information in the paragraph on the "On-board computer" in Section 1.



Radiator: If there is a significant lack of coolant, remember that it must never be topped up using cold coolant while the engine is very warm. After any procedure on the vehicle which has involved even partial draining of the cooling system, it must be refilled with a new mixture prepared in the correct proportions. Reminder: only products approved by the Technical Department may be used for this purpose.

OPERATING FAULTS (5/5)

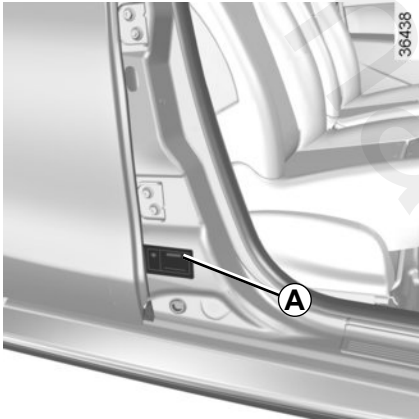
Electrical equipment	POSSIBLE CAUSES	WHAT TO DO
The wipers do not work.	Wiper blades stuck.	Free the blades before using the wipers.
	Faulty electrical circuit.	Consult an approved dealer.
The wiper does not stop.	Faulty electrical controls.	Consult an approved dealer.
Direction indicators flashing more quickly.	Blown bulb.	Replace the bulb.
The direction indicators do not work.	Faulty electrical circuit.	Consult an approved dealer.
The headlights do not switch on or off.	Faulty electrical circuit or control.	Consult an approved dealer
Traces of condensation in the lights.	This is not a fault. Traces of condensation are a natural phenomenon caused by variations in temperature. The traces will disappear slowly once the lights are switched on.	

basic.ele.cir

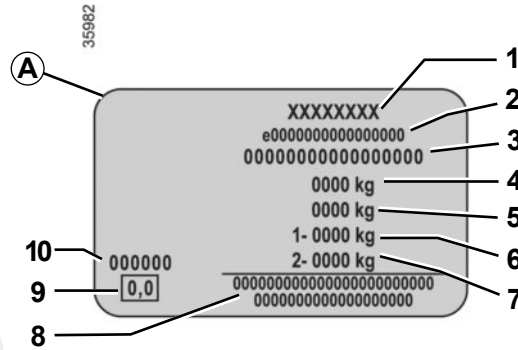
Section 6: Technical specifications

Vehicle identification plate	6.2
Engine identification plate	6.3
Dimensions	6.5
Engine specifications.	6.6
Weights/Towing weights	6.7
Replacement parts and repairs	6.8
Service sheets	6.9
Anticorrosion check	6.15

VEHICLE IDENTIFICATION PLATE



Quote the details given on identification plate A on all letters or orders.



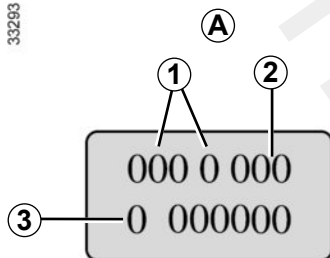
Vehicle identification plate A

The presence and location of the information depends on the vehicle.

- 1 Manufacturer name.
- 2 EC design number or approval number.
- 3 Identification number.
- 4 MAM (Maximum Authorised Mass).
- 5 GTW (Gross train weight: vehicle fully loaded, with trailer).
- 6 MPAW (Maximum Permissible Weight) for front axle.
- 7 MPAW on rear axle.
- 8 Reserved for related or additional entries.
- 9 Diesel exhaust emissions.
- 10 Paint reference (colour code).

ENGINE IDENTIFICATION PLATES (1/2)

33293

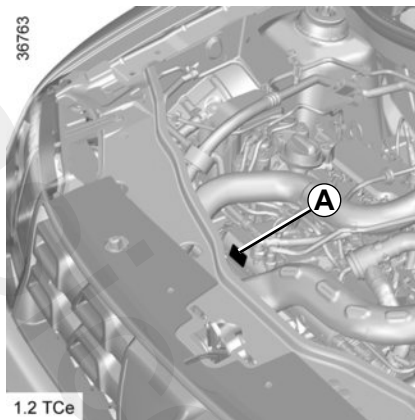


Quote the information on the identification plate or label A in all correspondence or when ordering parts.

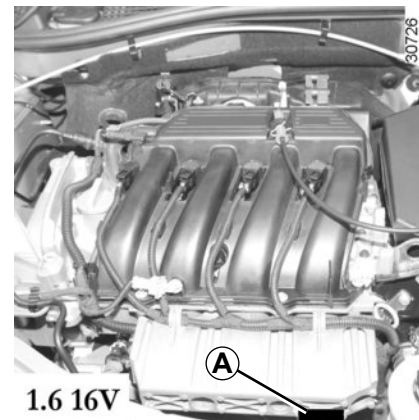
(Location varies depending on engine)

- 1 Engine type.
- 2 Engine suffix.
- 3 Engine number.

36763

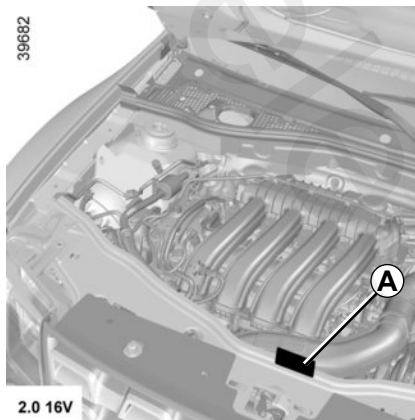


1.2 TCe



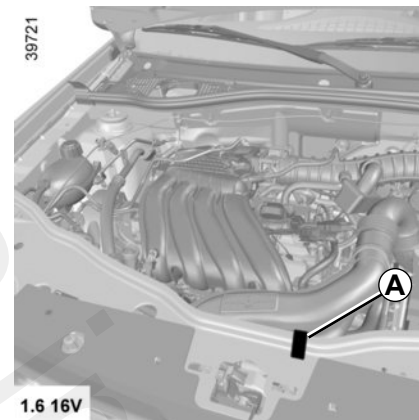
1.6 16V

39662



2.0 16V

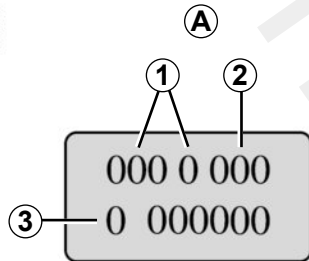
39721



1.6 16V

ENGINE IDENTIFICATION PLATES (2/2)

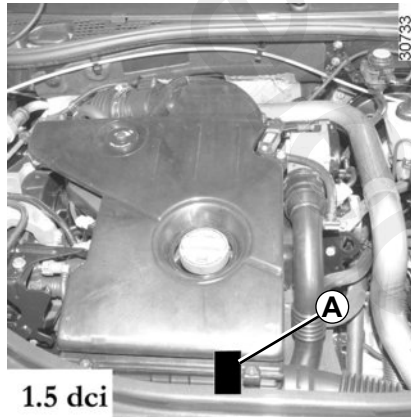
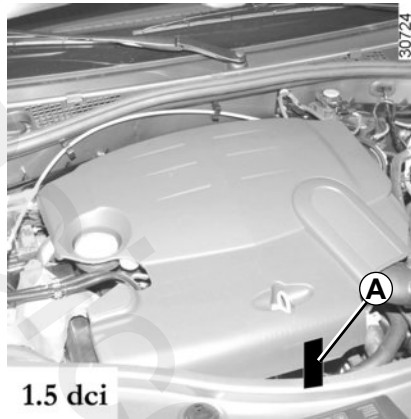
33293



Please quote the information on the engine plate or label A in all correspondence or orders.

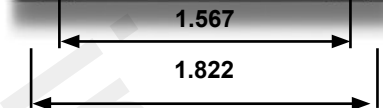
(Location varies depending on engine)

- 1 Engine type.
- 2 Engine suffix.
- 3 Engine number.



DIMENSIONS (in metres)

40488



(1) unladen, without roof bars

(2) unladen, with roof bars

ENGINE SPECIFICATIONS

Versions	1.6 16V	1.6 16V	2.0 16V	1.2 16V	1.5 dCi
Engine type (see engine plate)	K4M	H4M	F4R	H5Ft	K9K
Cubic capacity (cc)	1,598	1598	1998	1 198	1,461
Type of fuel Octane rating	Petrol The use of unleaded petrol is essential, with the octane rating as stated on the label inside the fuel filler flap.				Diesel The label located in the fuel filler flap indicates authorised fuels.
Spark plugs	Only use spark plugs specified for your vehicle's engine. The type should be marked on a label stuck inside the engine compartment. If it is not then contact your authorised dealer. Fitting spark plugs other than those specified may damage the engine.				

WEIGHTS (in kg)

The weights shown are for a basic vehicle without options: they will vary depending on the equipment level of your vehicle. Please consult an authorised dealer.

Versions	4x2	4x4
Maximum permissible all-up weight (MMAC) Total train weight (MTR)	Weights shown on the vehicle identification plate (refer to the information on "Vehicle identification plates" in Section 6)	
Braked Trailer Weight*	found by calculating: MTR - MMAC	
Unbraked trailer weight*	580	640
Permissible nose weight*	75	
Maximum permissible load on roof with a carrying device	80 (including the carrying device)	

*Towing weight (towing a caravan, boat, etc.)

Towing is prohibited when the GTW - MAM calculation is equal to zero, or when the GTW is equal to zero (or is not listed) on the identification plate.

- It is important to comply with the towing weights, governed by local legislation in each country and, in particular, laid down in the Road Traffic Regulations. Contact an authorised dealer for any towing equipment modifications.
- For vehicles fitted with a trailer, **the gross train weight (vehicle + trailer) must never be exceeded**. However, the following is tolerated:
 - the Maximum permissible weight at the rear may be exceeded by no more than 15%,
 - the maximum permissible all-up weight may be exceeded by no more than 10% or 100 kg (whichever occurs first).
 In either case, the maximum speed of the vehicle and trailer must not exceed 60 mph (100 km/h) and the tyre pressures must be increased by 0.2 bar (3 PSI).
- The engine output and climbing capability are reduced with altitude. We recommend that the maximum load be reduced by 10% at an altitude of 1,000 metres and by an additional 10% for each 1,000 metres thereafter.

Weight transfer (depending on the vehicle)

If the Maximum Authorised Mass of the vehicle has not been reached, up to 200 kg can be transferred to the braked trailer, within the limits of the Gross Train Weight.

SPARE PARTS AND REPAIRS

Original parts are based on strict specifications and are subject to highly-specialised tests. Therefore, they are of at least the same level of quality as the parts fitted originally.

If you always fit genuine replacement parts to your vehicle, you will ensure that it performs well. Furthermore, repairs carried out within the manufacturer's Network using original parts are guaranteed according to the conditions set out on the reverse of the repair order.

SERVICE SHEETS (1/6)

VIN:

Date: _____ Miles (Km): _____		Invoice number: _____		Comments/miscellaneous	
Type of operation:		Stamp			
Service <input type="checkbox"/>					
..... <input type="checkbox"/>					
Anti-corrosion check:					
OK <input type="checkbox"/> Not OK* <input type="checkbox"/>					
*See specific page					
Date: _____ Miles (Km): _____		Invoice number: _____		Comments/miscellaneous	
Type of operation:		Stamp			
Service <input type="checkbox"/>					
..... <input type="checkbox"/>					
Anti-corrosion check:					
OK <input type="checkbox"/> Not OK* <input type="checkbox"/>					
*See specific page					
Date: _____ Miles (Km): _____		Invoice number: _____		Comments/miscellaneous	
Type of operation:		Stamp			
Service <input type="checkbox"/>					
..... <input type="checkbox"/>					
Anti-corrosion check:					
OK <input type="checkbox"/> Not OK* <input type="checkbox"/>					
*See specific page					

SERVICE SHEETS (2/6)

VIN:

Date: _____ Miles (Km): _____		Invoice number: _____		Comments/miscellaneous	
Type of operation:		Stamp			
Service <input type="checkbox"/>					
..... <input type="checkbox"/>					
Anti-corrosion check:					
OK <input type="checkbox"/> Not OK* <input type="checkbox"/>					
*See specific page					

Date: _____ Miles (Km): _____		Invoice number: _____		Comments/miscellaneous	
Type of operation:		Stamp			
Service <input type="checkbox"/>					
..... <input type="checkbox"/>					
Anti-corrosion check:					
OK <input type="checkbox"/> Not OK* <input type="checkbox"/>					
*See specific page					

Date: _____ Miles (Km): _____		Invoice number: _____		Comments/miscellaneous	
Type of operation:		Stamp			
Service <input type="checkbox"/>					
..... <input type="checkbox"/>					
Anti-corrosion check:					
OK <input type="checkbox"/> Not OK* <input type="checkbox"/>					
*See specific page					

SERVICE SHEETS (3/6)

VIN:

Date: _____ Miles (Km): _____		Invoice number: _____		Comments/miscellaneous	
Type of operation: Service <input type="checkbox"/> <input type="checkbox"/>		Stamp			
Anti-corrosion check: OK <input type="checkbox"/> Not OK* <input type="checkbox"/> *See specific page					
Date: _____ Miles (Km): _____		Invoice number: _____		Comments/miscellaneous	
Type of operation: Service <input type="checkbox"/> <input type="checkbox"/>		Stamp			
Anti-corrosion check: OK <input type="checkbox"/> Not OK* <input type="checkbox"/> *See specific page					
Date: _____ Miles (Km): _____		Invoice number: _____		Comments/miscellaneous	
Type of operation: Service <input type="checkbox"/> <input type="checkbox"/>		Stamp			
Anti-corrosion check: OK <input type="checkbox"/> Not OK* <input type="checkbox"/> *See specific page					

SERVICE SHEETS (4/6)

VIN:

Date: _____ Miles (Km): _____		Invoice number: _____		Comments/miscellaneous	
Type of operation: Service <input type="checkbox"/> <input type="checkbox"/>		Stamp			
Anti-corrosion check: OK <input type="checkbox"/> Not OK* <input type="checkbox"/> *See specific page					
Date: _____ Miles (Km): _____		Invoice number: _____		Comments/miscellaneous	
Type of operation: Service <input type="checkbox"/> <input type="checkbox"/>		Stamp			
Anti-corrosion check: OK <input type="checkbox"/> Not OK* <input type="checkbox"/> *See specific page					
Date: _____ Miles (Km): _____		Invoice number: _____		Comments/miscellaneous	
Type of operation: Service <input type="checkbox"/> <input type="checkbox"/>		Stamp			
Anti-corrosion check: OK <input type="checkbox"/> Not OK* <input type="checkbox"/> *See specific page					

SERVICE SHEETS (5/6)

VIN:

Date: _____ Miles (Km): _____		Invoice number: _____		Comments/miscellaneous	
Type of operation: Service <input type="checkbox"/> <input type="checkbox"/>		Stamp			
Anti-corrosion check: OK <input type="checkbox"/> Not OK* <input type="checkbox"/> *See specific page					
Date: _____ Miles (Km): _____		Invoice number: _____		Comments/miscellaneous	
Type of operation: Service <input type="checkbox"/> <input type="checkbox"/>		Stamp			
Anti-corrosion check: OK <input type="checkbox"/> Not OK* <input type="checkbox"/> *See specific page					
Date: _____ Miles (Km): _____		Invoice number: _____		Comments/miscellaneous	
Type of operation: Service <input type="checkbox"/> <input type="checkbox"/>		Stamp			
Anti-corrosion check: OK <input type="checkbox"/> Not OK* <input type="checkbox"/> *See specific page					

SERVICE SHEETS (6/6)

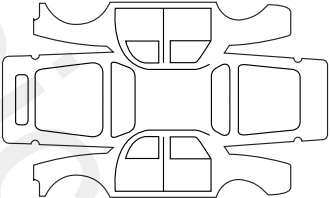
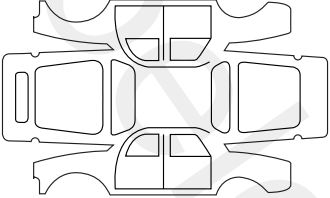
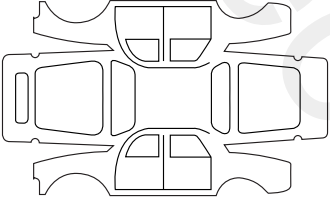
VIN:

Date: _____ Miles (Km): _____		Invoice number: _____		Comments/miscellaneous	
Type of operation: Service <input type="checkbox"/> <input type="checkbox"/>		Stamp			
Anti-corrosion check: OK <input type="checkbox"/> Not OK* <input type="checkbox"/> *See specific page					
Date: _____ Miles (Km): _____		Invoice number: _____		Comments/miscellaneous	
Type of operation: Service <input type="checkbox"/> <input type="checkbox"/>		Stamp			
Anti-corrosion check: OK <input type="checkbox"/> Not OK* <input type="checkbox"/> *See specific page					
Date: _____ Miles (Km): _____		Invoice number: _____		Comments/miscellaneous	
Type of operation: Service <input type="checkbox"/> <input type="checkbox"/>		Stamp			
Anti-corrosion check: OK <input type="checkbox"/> Not OK* <input type="checkbox"/> *See specific page					

ANTICORROSION CHECK (1/5)

If the continuation of the warranty is subject to repair, it is indicated below.

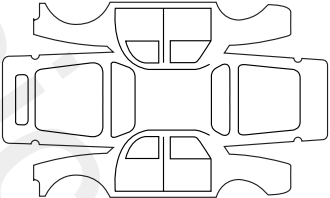
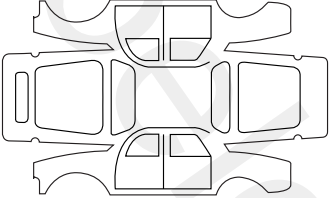
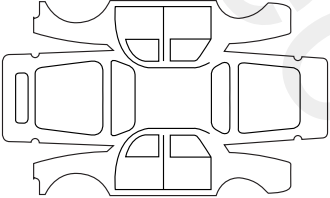
VIN:

Corrosion repair operation to be carried out:		Stamp
Date of repair:		
Repair to be carried out:		Stamp
Date of repair:		
Repair to be carried out:		Stamp
Date of repair:		

ANTICORROSION CHECK (2/5)

If the continuation of the warranty is subject to repair, it is indicated below.

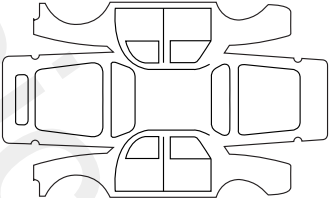
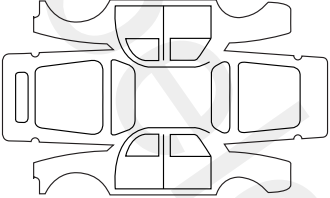
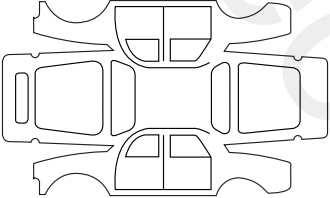
VIN:

Corrosion repair operation to be carried out:		Stamp
Date of repair:		
Repair to be carried out:		Stamp
Date of repair:		
Repair to be carried out:		Stamp
Date of repair:		

ANTICORROSION CHECK (3/5)

If the continuation of the warranty is subject to repair, it is indicated below.

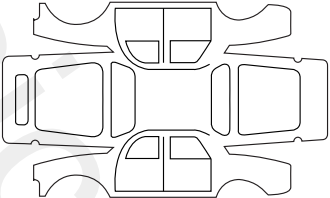
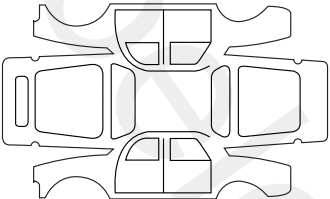
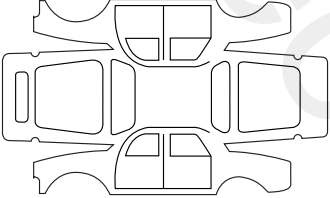
VIN:

Corrosion repair operation to be carried out:		Stamp
Date of repair:		
Repair to be carried out:		Stamp
Date of repair:		
Repair to be carried out:		Stamp
Date of repair:		

ANTICORROSION CHECK (4/5)

If the continuation of the warranty is subject to repair, it is indicated below.

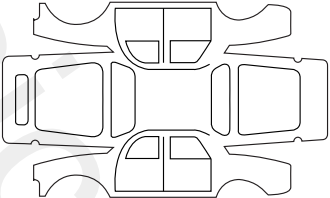
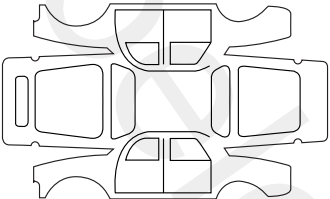
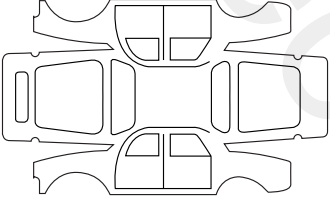
VIN:

Corrosion repair operation to be carried out:		Stamp
Date of repair:		
Repair to be carried out:		Stamp
Date of repair:		
Repair to be carried out:		Stamp
Date of repair:		

ANTICORROSION CHECK (5/5)

If the continuation of the warranty is subject to repair, it is indicated below.

VIN:

Corrosion repair operation to be carried out:		Stamp
Date of repair:		
Repair to be carried out:		Stamp
Date of repair:		
Repair to be carried out:		Stamp
Date of repair:		

basic.ele.c.ir

ALPHABETICAL INDEX (1/5)

A

ABS	2.34 → 2.37
accessories	5.44
accessories socket	3.14
adjusting your driving position	1.13 → 1.16
advice on antipollution	2.20
air bag	1.17 → 1.21
deactivating the front passenger air bags	1.33
air conditioning	3.2 → 3.7
air vents	3.2 – 3.3
anti-corrosion check	6.15 → 6.19
anti-corrosion protection	4.16
anti-lock braking system: ABS	2.34 → 2.37
antipollution	
advice	2.20
armrest	3.19
ashtrays	3.14
automatic gearbox (use)	2.45 → 2.48, 5.42
automatic gearbox selector lever	2.45 → 2.48

B

battery	4.14 – 4.15
troubleshooting	5.36 – 5.37
battery (remote control)	5.38
bonnet	4.2 – 4.3
brake fluid	4.8
bulbs	
changing	5.16 → 5.27

C

capacity of mechanical components	4.4, 4.14
catalytic converter	2.10
central door locking	1.5 – 1.6
changing a bulb	5.16 → 5.27
changing a wheel	5.10 – 5.11
changing fuel while driving	2.12 → 2.14

changing gear	2.29, 2.45 → 2.48
child booster seat	1.22 → 1.24
child restraint/seat	1.22 → 1.32
child safety	1.2, 1.8 – 1.9, 1.22 → 1.32, 3.8 → 3.10
child seats	1.22 → 1.32
children	1.5 – 1.6, 1.8 – 1.9
children (safety)	3.8 → 3.10
cigar lighter	3.14
cleaning:	
inside the vehicle	4.18 – 4.19
clock	1.57
closing the doors	1.8 – 1.9
control instruments	1.41 → 1.55, 1.59 – 1.60
controls	1.37 → 1.40
courtesy light	3.11 – 3.12
cruise control	2.41 → 2.44
cruise control-speed limiter	2.38 → 2.44

D

dashboard	1.37 → 1.40
dimensions	6.5
dipstick	4.4
doors	1.5 → 1.9
driver's position	1.37 → 1.40
driving	2.2 → 2.6, 2.10 – 2.11, 2.15 → 2.19, 2.29 → 2.50

E

ECO driving	1.41 → 1.47, 2.15 → 2.19
electric beam height adjustment	1.61 – 1.62
electric door locking	1.5 – 1.6
electric windows	3.8 → 3.10
electronic stability control: ESC	2.34 → 2.37
emergency brake assist	2.34 → 2.37
emergency braking	2.34 → 2.37
emergency spare wheel	5.3 – 5.4, 5.12 → 5.15

ALPHABETICAL INDEX (2/5)

engine	
technical specifications	6.6
engine coolant	4.9
engine immobiliser (switch)	2.2
engine oil	4.4
engine oil grade	4.5 → 4.7
engine oil level	4.5 → 4.7
engine specifications	6.6
engine standby	2.7 → 2.9
environment	2.21
ESC: electronic stability control	2.34 → 2.37
F	
4 wheel drive (4WD)	2.30 → 2.33
faults	
operating faults	5.45 → 5.49
filter	4.11
air filter	4.11
diesel filter	1.70, 4.11
passenger compartment filter	4.11
fitting a radio	5.43
fittings	3.16 → 3.19
fog lights	1.60
front passenger air bag deactivation	1.33
front seat adjustment	1.11 – 1.12
front seats	
adjustment	1.10 → 1.12
fuel	
advice on fuel economy	2.15 → 2.19
filling	1.66
grade	1.65, 6.6
fuel economy	2.15 → 2.19
fuel filler cap	1.65
fuel grade	1.65
fuel priming bulb	1.70
fuel tank	1.65 → 1.70

fuel tank capacity	1.65
fuses	5.28 → 5.35

G

gear lever	2.29
glove box	3.18
grab handle	3.13

H

handbrake	2.29
hands-free telephone integrated control	3.29
hazard warning lights signal	1.58
headlight beam adjustment	1.61 – 1.62
headlight flashers	1.58
headrest	1.10, 3.15
heating and air conditioning system	3.2 → 3.7
heating system	3.2 → 3.7
Hill Start Assist	2.34 → 2.37
horn	1.58
hubcap tool	5.2

I

ignition switch	2.2
indicator lights	5.23
indicators	1.58, 5.16
indicators:	
direction indicators	1.58
instrument panel	1.41 → 1.49, 1.49
interior trim	
maintenance	4.18 – 4.19

J

jack	5.2, 5.10 – 5.11
------------	------------------

K

keys	1.2 – 1.3
------------	-----------

ALPHABETICAL INDEX (3/5)

L

levels 4.4, 4.8 → 4.10

levels:

coolant 4.9

windscreen washer reservoir 4.10

lifting the vehicle

changing a wheel 5.2 – 5.4, 5.9 → 5.11

lighting:

exterior 1.59 – 1.60, 5.16 → 5.23

interior 3.11 – 3.12, 5.24 → 5.27

lights 1.59 → 1.62

additional 5.17

adjustment 1.61 – 1.62

lights:

adjusting 1.61 – 1.62

brake lights 5.18

daytime running lights 5.16

dipped beam headlights 1.59, 5.16

direction indicators 1.58, 5.16

fog lights 1.60, 5.17

hazard warning 1.58

main beam headlights 1.59, 5.16

reversing lights 5.18

side lights 1.59, 5.16

locking the doors 1.4

LPG 1.68 – 1.69, 2.3, 2.12 → 2.14, 3.26, 5.28 → 5.35

M

maintenance 2.20

maintenance:

bodywork 4.16 – 4.17

interior trim 4.18 – 4.19

mechanical 4.4, 4.8, 4.14, 6.9 → 6.14

map reading lights 3.11 – 3.12

methods of restraint in addition to the front seat belts 1.17 → 1.19, 1.21

mirrors 3.13

multimedia equipment 3.29

N

navigation 3.29

navigation system 3.29

O

oil change 4.5 → 4.7

opening the doors 1.8 – 1.9

operating faults 5.45 → 5.49

overspeed buzzer 1.48 – 1.49

P

paintwork

maintenance 4.16 – 4.17

reference 6.2

parking distance control 2.49 → 2.52

power-assisted steering 1.56, 4.10

power-assisted steering pump 4.10

practical advice 1.70, 3.26, 5.2 – 5.4, 5.9 → 5.37,

5.39 → 5.43, 5.45 → 5.49

puncture 5.3 – 5.4, 5.10 – 5.11

R

radio 3.29

fitting a radio 5.43

radio frequency remote control/key

use 1.2

rear bench seat 3.20 → 3.22

rear parcel shelf 3.27

rear screen de-icing/demisting 3.4 → 3.6

rear seats

functions 3.20 → 3.22

rear view camera 2.51 – 2.52

rear view mirrors 1.36

ALPHABETICAL INDEX (4/5)

remote control door locking	
batteries	5.38
remote control door locking unit	1.2 → 1.4
remote engine start-up	1.2 – 1.3
RENAULT ANTI-INTRUDER DEVICE (RAID)	1.7
replacement parts	6.8
reverse gear	
selecting	2.29
reversing sensor	2.49 – 2.50
roof bars	3.28
roof rack	
roof bars	3.28
running in	2.2

S

seat belts	1.13 → 1.21
service sheets	6.9 → 6.14
signals and lights	1.59 – 1.60
speakers	
location	5.43
special features of diesel versions	2.11
special features of LPG versions	2.12 → 2.14, 5.28 → 5.35
special features of petrol vehicles	2.10
speed limiter	2.38 → 2.40
starting	2.3 → 2.6
starting the engine	2.2 → 2.9
steering wheel	
adjustment	1.56
Stop & Start	2.7 → 2.9
Stop & Start function	2.7 → 2.9
storage compartment	3.16 → 3.19
storage compartments	3.16 → 3.19
sun visor	3.13

T

tailgate	3.23 → 3.25
----------------	-------------

tanks and reservoirs	
brake fluid	4.8
coolant	4.9
tanks and reservoirs:	
windscreen washer	4.10
technical specifications	6.2, 6.6 → 6.8
telephone	3.29
towing	
breakdown	5.40 → 5.42
towing equipment	3.26
towing a caravan	6.7
towing hitch	5.40 → 5.42
towing rings	3.24 – 3.25
towing weights	6.7
traction control	2.34 → 2.37
transporting children	1.22 → 1.32
transporting objects	
in the luggage compartment	3.24 – 3.25
trims	5.9
trip computer and warning system	1.50 → 1.55
tyre inflation kit	5.5 → 5.8
tyre pressure	2.22 → 2.28, 4.12 – 4.13, 5.13
tyre pressure loss warning	2.22 → 2.28
tyre pressures	4.12 – 4.13
tyres	2.22 → 2.28, 4.12 – 4.13, 5.12 → 5.15

V

variable power-assisted steering	1.56
vehicle identification	6.2
vehicle identification plates	6.2 → 6.4
ventilation	
air conditioning	3.2 – 3.3
heating and air conditioning system	3.4 → 3.7

W

warning buzzer	1.60
----------------------	------

ALPHABETICAL INDEX (5/5)

warning lights.....	1.41 → 1.55
washing	4.16 – 4.17
weight	6.7
weights	6.7
wheelbrace	5.2
windows.....	3.8 → 3.10
windscreen washer.....	1.63 – 1.64, 4.10
wiper blades	5.39
wipers	1.63 – 1.64
blades	5.39

nasicoolele.ir

hæsiçoeleç

RENAULT S.A.S. SOCIÉTÉ PAR ACTIONS SIMPLIFIÉE AU CAPITAL DE 533 941 113 € / 13-15, QUAI LE GALLO
92100 BOULOGNE-BILLANCOURT R.C.S. NANTERRE 780 129 987 – SIRET 780 129 987 03591 / TÉL. : 0810 40 50 60
NU 1079-7 – 99 91 028 25R – 10/2015 – Edition anglaise

